

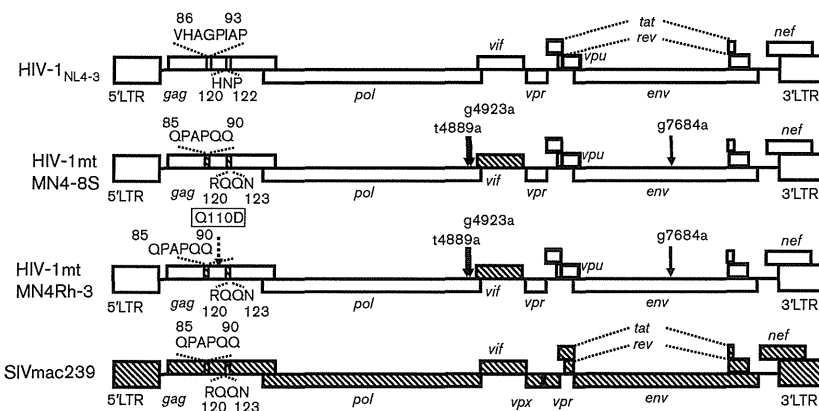
replaced with a retrotransposed cyclophilin A (*cypA*) gene (Brennan *et al.*, 2008; Liao *et al.*, 2007; Newman *et al.*, 2008). We recently reported that the frequency of TRIMCyp alleles was  $>0.8$  in Philippine CMs, which is in contrast to the situation in Indochina CMs (Saito *et al.*, 2012a, 2012b). CM TRIMCyp, also known as Mafa TRIMCyp2 (Ylinen *et al.*, 2010), can restrict HIV-1, but fails to do so in SIVmac and HIV-1mt NL-DT5 $\alpha$  with L4/5 derived from SIVmac (Saito *et al.*, 2012a), as the CypA domain of CM TRIMCyp binds to L4/5 of HIV-1, but not that of SIVmac (Price *et al.*, 2009; Ylinen *et al.*, 2010).

We recently reported that a new proviral HIV-1mt construct, MN4Rh-3, carrying a glutamine-to-aspartic acid substitution at position 110 (Q110D) of CA in the parental HIV-1mt MN4-8S (Fig. 1), exhibited further enhanced growth properties in a macaque T-cell line (Nomaguchi *et al.*, 2013a, b). In the present study, we investigated whether TRIMCyp alleles in CMs could influence the susceptibility to HIV-1mt infection.

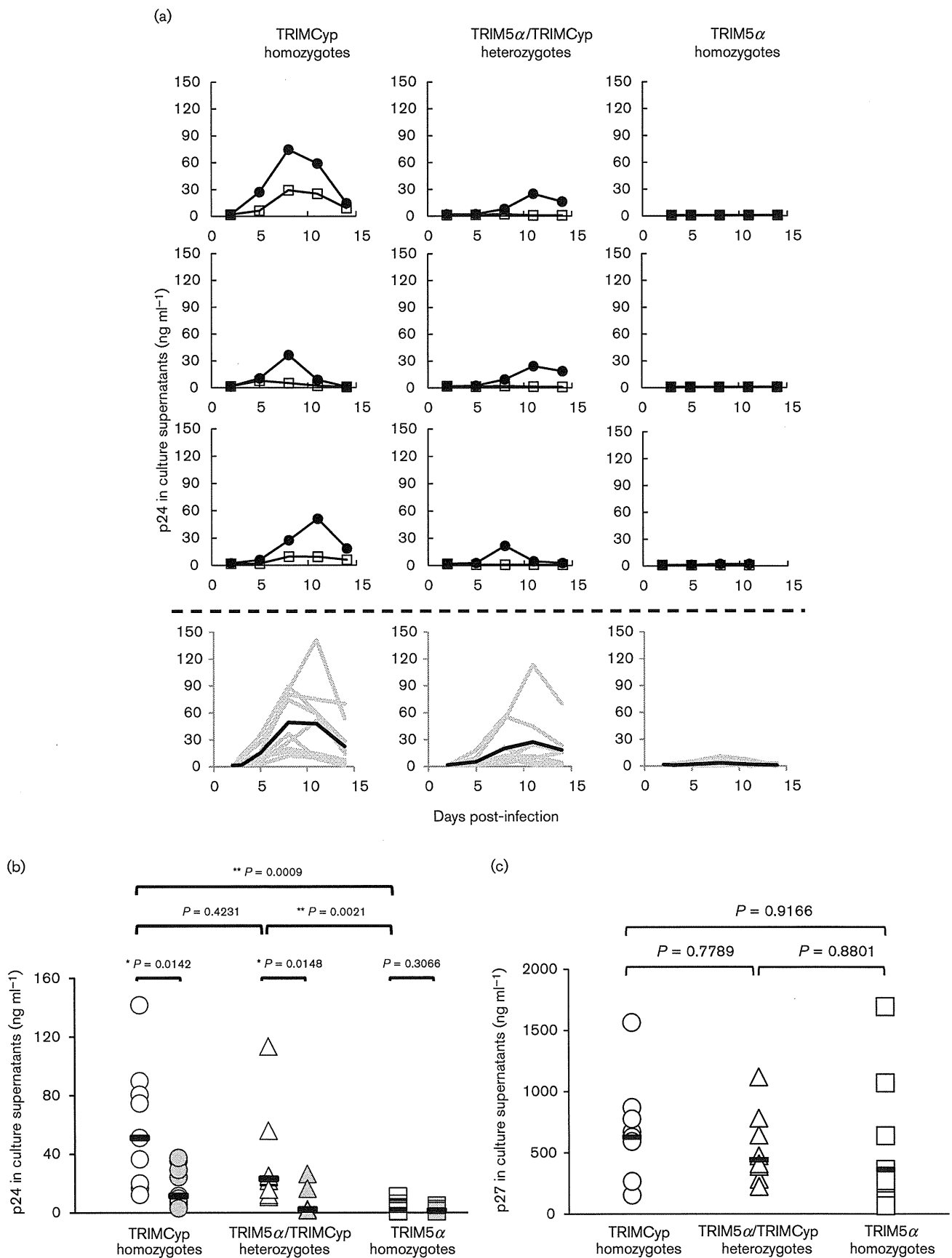
First, we analysed the replication kinetics of HIV-1mt MN4Rh-3 in CD8<sup>+</sup> cell-depleted PBMCs from 26 CMs comprising nine TRIM5 $\alpha$  homozygotes, eight TRIM5 $\alpha$ /TRIMCyp heterozygotes and nine TRIMCyp homozygotes. Prior to this experiment, we confirmed the expression of TRIM5 $\alpha$  and/or TRIMCyp in PBMCs from monkeys by reverse transcription-PCR (RT-PCR). We found that the mRNA expression was consistent with the *TRIM5* genotype of each monkey, i.e. the TRIM5 $\alpha$  or TRIMCyp homozygotes expressed the respective mRNA, and the heterozygotes expressed both TRIM5 $\alpha$  and TRIMCyp mRNAs (Fig. S1, available in JGV Online). Virus stocks for infection experiments were prepared by transfecting HIV-1mt MN4Rh-3 and HIV-1mt MN4-8S clones into HEK293T cells (Saito *et al.*, 2011). Preparation of CD8<sup>+</sup> cell-depleted PBMCs and evaluation of viral growth were performed as described previously (Saito *et al.*, 2011). In Fig. 2(a), representative viral kinetics in PBMCs from animals with each *TRIM5* genotype are presented. For comparison, the replication kinetics of HIV-1mt MN4Rh-3 in cells from all 26 animals is shown at the bottom of the

figure. Furthermore, the impact of each *TRIM5* genotype on HIV-1mt MN4Rh-3 and MN4-8S replication was evaluated by plotting the peak p24 levels during the observation period (Fig. 2b). HIV-1mt MN4Rh-3 grew significantly better in the PBMCs from TRIMCyp homozygotes or heterozygotes than in those from TRIM5 $\alpha$  homozygotes, whilst there was no significant difference between TRIMCyp homozygotes and heterozygotes (Fig. 2a, b). Our results on heterozygotes were consistent with previous findings that co-expression of TRIM5 $\alpha$  variants with a distinct antiviral activity interferes with the antiviral activity of the wild-type TRIM5 $\alpha$  (Javanbakht *et al.*, 2005; Lim *et al.*, 2010; Nakayama *et al.*, 2006; Perez-Caballero *et al.*, 2005; Stremlau *et al.*, 2004). In addition, HIV-1mt MN4Rh-3 grew better in PBMCs of both TRIMCyp homozygotes and the heterozygotes than HIV-1mt MN4-8S (Fig. 2a, b), which was in agreement with our recent data obtained in a CM-derived T-cell line (Nomaguchi *et al.*, 2013b). Of note, there was no significant difference between each *TRIM5* genotype in the susceptibility to SIVmac239 infection (Fig. 2c), suggesting that the CM *TRIM5* genotypes specifically influence susceptibility to HIV-1mt infection.

We finally investigated whether *TRIM5* genotypes could influence the growth of HIV-1mt MN4Rh-3 *in vivo*. Healthy adult CMs seronegative for B virus and simian retrovirus were housed in individual isolators in a Biosafety Level 3 facility and maintained according to National Institute of Biomedical Innovation guidelines. All experiments were approved by the Animal Welfare and Animal Care Committee of the National Institute of Biomedical Innovation, as well as by Kyoto University. Bleeding and virus inoculation were performed under ketamine hydrochloride anaesthesia. Viral stocks propagated in CD8<sup>+</sup> cell-depleted PBMCs were inoculated intravenously into TRIMCyp homozygotes ( $n=6$ ) or TRIM5 $\alpha$  homozygotes ( $n=3$ ) at a dose of HIV-1mt corresponding to 10 ng CA per head. The profiles of plasma viral loads and anti-HIV-1 antibody responses were evaluated as described previously (Saito *et al.*, 2011). We found that HIV-1mt MN4Rh-3 growth was readily observed in all



**Fig. 1.** Structure of the HIV-1mt clones (MN4-8S and MN4Rh-3) used in this study. Open boxes denote HIV-1 (NL4-3) and hatched boxes denote SIVmac239 sequences. Black arrows show adaptive mutations that enhance viral growth potential in CM T-cell lines. Dotted arrows show the CA Q110D mutation.



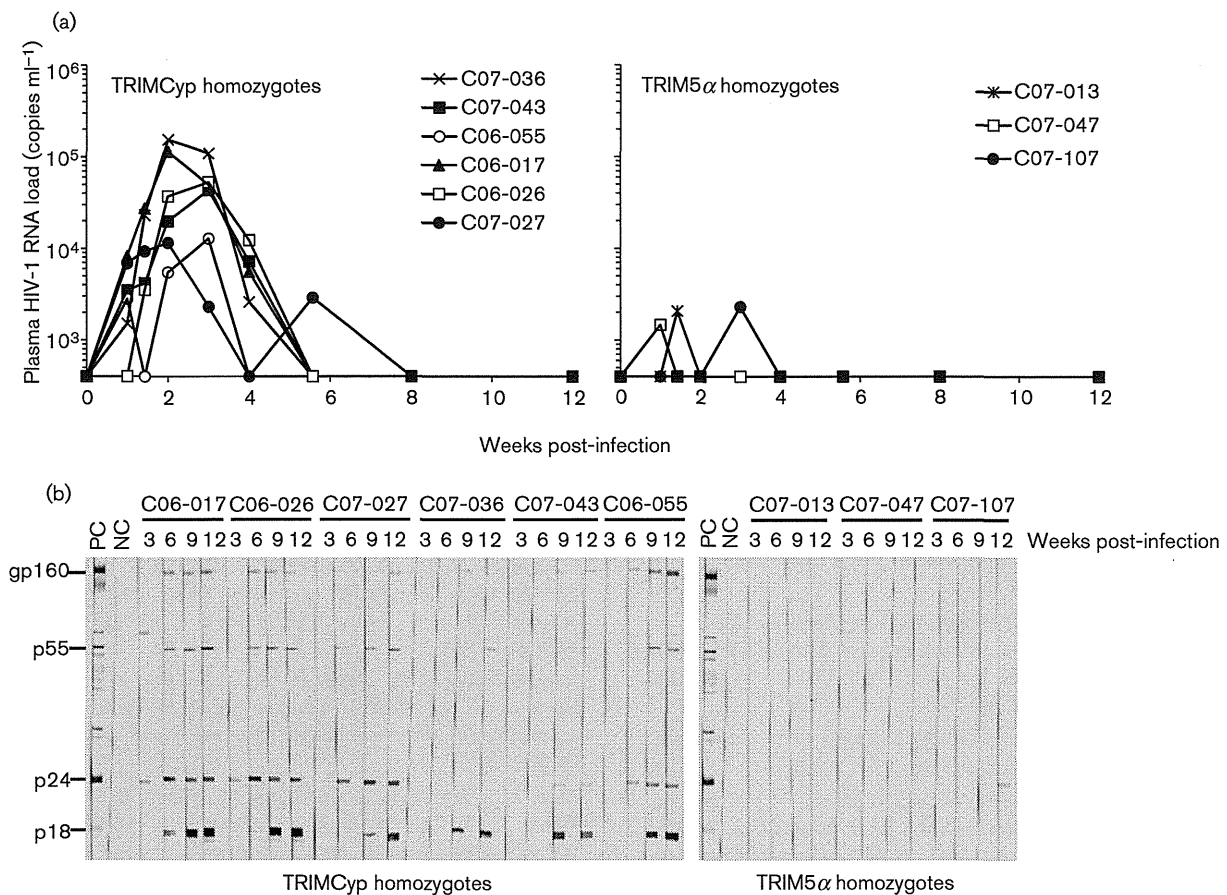
**Fig. 2.** (a) Growth properties of HIV-1mt derivatives in CM PBMCs. CD8<sup>+</sup> cell-depleted PBMCs were infected with HIV-1mt MN4Rh-3 (●) or HIV-1mt MN4-8S (□). Culture supernatants were collected periodically and virus replication was assessed using a HIV-1 p24 antigen capture assay kit. These experiments carried out on the PBMCs of each of the 26 macaques were done once. Representative results of virus replication kinetics in the PBMCs prepared from three animals of each *TRIM5* genotype are shown. For comparison, the replication kinetics of HIV-1mt MN4Rh-3 in the PBMCs from the 26 animals are shown at the bottom of the figure (indicated as grey lines). The mean values of the viral growth kinetics in each genotype are indicated in black lines. (b) Influence of *TRIM5* genotypes on the replication of HIV-1mt derivatives in PBMCs. CD8<sup>+</sup> cell-depleted PBMCs were infected with HIV-1mt MN4Rh-3 (open symbols) or HIV-1mt MN4-8S (shaded symbols). The cells were derived from TRIMCyp homozygotes ( $n=9$ ), TRIM5 $\alpha$ /TRIMCyp heterozygotes ( $n=8$ ) and TRIM5 $\alpha$  homozygotes ( $n=9$ ). The peak p24 levels of the virus replication kinetics as shown in Fig. 2(a) were plotted. Thick horizontal bars indicate the median values. Differences in the mean values were assessed using the Wilcoxon rank-sum test (for HIV-1mt MN4Rh-3 and HIV-1mt MN4-8S viruses in each monkey group) and using the Steel–Dwass multiple comparison procedure (for HIV-1mt MN4Rh-3 in the three monkey groups). \* $P<0.05$ ; \*\* $P<0.01$ . (c) Influence of *TRIM5* genotypes on the replication of SIVmac239 in PBMCs. CD8<sup>+</sup> cell-depleted PBMCs were infected with SIVmac239. Virus replication was monitored by detecting p27 antigen in the culture supernatants, and the p27 level on the peak day during the observation period (14 days) was plotted. Thick horizontal bars indicate the median values. Differences in the mean values were assessed by the Wilcoxon rank-sum test.

TRIMCyp homozygotes, with plasma viral loads reaching a peak at 2–4 weeks post-inoculation (p.i.) and ranging from  $1.1 \times 10^4$  to  $1.5 \times 10^5$  copies ml<sup>-1</sup> (mean  $4.2 \times 10^4$  copies ml<sup>-1</sup>; Fig. 3a). In contrast, HIV-1mt MN4Rh-3 scarcely replicated in TRIM5 $\alpha$  homozygotes (mean  $1.9 \times 10^3$  copies ml<sup>-1</sup>; Fig. 3a). Accordingly, HIV-1-specific antibodies were also detected in plasma from 3 to 9 weeks p.i. in the TRIMCyp homozygotes but minimally in TRIM5 $\alpha$  homozygotes (Fig. 3b), suggesting that the strength of antibody response reflected the level of virus replication. Notably, although TRIMCyp homozygotes had a higher viraemia compared with TRIM5 $\alpha$  homozygotes, none developed persistent viraemia (Fig. 3a). As our present HIV-1mts were focused on evasion of TRIM5- and APOBEC3-mediated restrictions, it is reasonable to assume that additional modifications of the viral genome, especially in order to overcome bone marrow stromal antigen 2 (BST-2)-mediated (Jia *et al.*, 2009; Neil *et al.*, 2008; Van Damme *et al.*, 2008) and SAM domain and HD domain-containing protein 1 (SAMHD1)-mediated restriction (Hrecka *et al.*, 2011; Laguette *et al.*, 2011), may be required to establish persistent viraemia *in vivo*. Moreover, Bitzegeio *et al.* (2013) recently suggested the existence of unidentified, type I interferon-inducible antiviral host factors in macaque PBMCs that inhibit HIV-1 replication.

In humans, several genetic factors related to HIV-1 susceptibility have been reported (reviewed by Chatterjee, 2010; Shioda & Nakayama, 2006). A polymorphism in the chemokine (C–C motif) receptor-5 (*CCR5*) gene is an eminent example; thus, individuals carrying a 32 bp deletion in *CCR5* (*CCR5-Δ32*) are resistant to *CCR5*-tropic HIV-1 infection and show delayed progression to AIDS (Dean *et al.*, 1996; Samson *et al.*, 1996). In addition to *CCR5*, polymorphisms in the genes encoding IL-4 and IL-10 (Shin *et al.*, 2000) and human leukocyte antigen (Carrington & O'Brien, 2003), as well as *TRIM5* (Sawyer *et al.*, 2006), have also been suggested to affect disease progression in HIV-1-infected individuals. One of the single-nucleotide polymorphisms (SNPs) in human *TRIM5* is a C127T nucleotide substitution, corresponding to an H43Y amino acid substitution in the RING domain. A correlation between this SNP and rapid

disease progression has been suggested (van Manen *et al.*, 2008), although this remains controversial (Nakayama *et al.*, 2007; Speelmon *et al.*, 2006). In macaques, an effect of polymorphisms in *TRIM5* on SIV infection has been reported (Kirmaier *et al.*, 2010; Lim *et al.*, 2010); thus, rhesus macaques with TFP residues at positions 339–341 of TRIM5 $\alpha$  show greater resistance to SIVsmE041 and SIVsmE543–3 compared with animals with a single glutamine residue at position 339 (Kirmaier *et al.*, 2010). However, it remains elusive as to whether genetic diversity might affect HIV-1mt infection in macaques. In this study, we found for the first time that the *TRIM5* genotypes of CMs primarily influenced inter-individual diversity in terms of susceptibility to HIV-1mt. Our results will provide an important insight into the divergent susceptibility of macaques to HIV-1mt. In particular, the finding that the TRIMCyp homozygotes exhibited a greater susceptibility to HIV-1mt infection will make it possible to identify the susceptibility of each CM by pre-screening for *TRIM5* genotypes, which will be invaluable in establishing a pre-clinical non-human primate model of HIV-1mt infection using CMs. It is noteworthy that our result is consistent with the findings that pig-tailed macaques, a macaque species that is thought to possess TRIMCyp exclusively instead of TRIM5 $\alpha$ , shows higher susceptibility to HIV-1 infection (Agy *et al.*, 1992). For this reason, pig-tailed macaques are expected to be a promising model animal for HIV-1mt infection. Indeed, it was reported previously that these macaques developed persistent viraemia following HIV-1mt challenge (Hatzioannou *et al.*, 2009; Igarashi *et al.*, 2007; Thippeshappa *et al.*, 2011).

Moreover, our findings, in which CM *TRIM5* genotype was shown to influence susceptibility to retroviral infection, may imply that the marked geographical variation in the genotypes (Berry *et al.*, 2012; Dietrich *et al.*, 2011; Saito *et al.*, 2012a; Saito *et al.*, 2012b) is a consequence of selective pressures driven by some external factors. As both TRIM5 $\alpha$  and TRIMCyp are thought to be associated with retrovirus replication, it is reasonable to speculate that a geographically diverse prevalence of some pathogen(s) such as exogenous or endogenous retroviruses might



**Fig. 3.** Growth properties of HIV-1mt derivatives in CMs. (a) Monkeys were infected with 10 ng p24 of HIV-1mt MN4Rh-3 intravenously and bled periodically. Plasma viral RNA load was evaluated by quantitative RT-PCR. (b) Commercially available diagnostic HIV-1 Western blotting strips were reacted with 100-fold-diluted plasma from each monkey. Plasma from HIV-1-infected and uninfected individuals were used as positive (PC) and negative (NC) controls, respectively. Individual monkey numbers are indicated.

contribute to the variation in *TRIM5* genotypes. We are now seeking to identify pathogen(s) that have played a critical role in the diversity of CM *TRIM5* genotypes.

## Acknowledgements

The authors wish to thank E. Makinose and T. Ikoma for their helpful assistance. The authors also thank F. Ono, Y. Katakai, K. Komatsuzaki, M. Hamano, A. Hiyaoka, K. Ohto, H. Ohto and Y. Emoto for their support in animal experiments. This work was supported by grants from the Ministry of Health, Labour and Welfare in Japan.

## References

- Agy, M. B., Frumkin, L. R., Corey, L., Coombs, R. W., Wolinsky, S. M., Koehler, J., Morton, W. R. & Katze, M. G. (1992). Infection of *Macaca nemestrina* by human immunodeficiency virus type-1. *Science* **257**, 103–106.
- Berry, N. J., Marzetta, F., Towers, G. J. & Rose, N. J. (2012). Diversity of *TRIM5α* and *TRIMCyp* sequences in cynomolgus macaques from different geographical origins. *Immunogenetics* **64**, 267–278.
- Bitzegeio, J., Sampias, M., Bieniasz, P. D. & Hatzioannou, T. (2013). Adaptation to the interferon-induced antiviral state by human and simian immunodeficiency viruses. *J Virol* **87**, 3549–3560.
- Brennan, G., Kozyrev, Y. & Hu, S. L. (2008). *TRIMCyp* expression in Old World primates *Macaca nemestrina* and *Macaca fascicularis*. *Proc Natl Acad Sci U S A* **105**, 3569–3574.
- Carrington, M. & O'Brien, S. J. (2003). The influence of HLA genotype on AIDS. *Annu Rev Med* **54**, 535–551.
- Chatterjee, K. (2010). Host genetic factors in susceptibility to HIV-1 infection and progression to AIDS. *J Genet* **89**, 109–116.
- Dean, M., Carrington, M., Winkler, C., Huttley, G. A., Smith, M. W., Allikmets, R., Goedert, J. J., Buchbinder, S. P., Vittinghoff, E. & other authors (1996). Genetic restriction of HIV-1 infection and progression to AIDS by a deletion allele of the *CCR5* structural gene. Hemophilia Growth and Development Study, Multicenter AIDS Cohort Study, Multicenter Hemophilia Cohort Study, San Francisco City Cohort, ALIVE Study. *Science* **273**, 1856–1862.
- Dietrich, E. A., Brennan, G., Ferguson, B., Wiseman, R. W., O'Connor, D. & Hu, S. L. (2011). Variable prevalence and functional diversity of the antiretroviral restriction factor *TRIMCyp* in *Macaca fascicularis*. *J Virol* **85**, 9956–9963.

- Hatzioannou, T., Princiotta, M., Piatak, M., Jr, Yuan, F., Zhang, F., Lifson, J. D. & Bieniasz, P. D. (2006). Generation of simian-tropic HIV-1 by restriction factor evasion. *Science* 314, 95.
- Hatzioannou, T., Ambrose, Z., Chung, N. P., Piatak, M., Jr, Yuan, F., Trubey, C. M., Coalter, V., Kiser, R., Schneider, D. & other authors (2009). A macaque model of HIV-1 infection. *Proc Natl Acad Sci U S A* 106, 4425–4429.
- Hrecka, K., Hao, C., Gierszewska, M., Swanson, S. K., Kesik-Brodacka, M., Srivastava, S., Florens, L., Washburn, M. P. & Skowronski, J. (2011). Vpx relieves inhibition of HIV-1 infection of macrophages mediated by the SAMHD1 protein. *Nature* 474, 658–661.
- Igarashi, T., Iyengar, R., Byrum, R. A., Buckler-White, A., Dewar, R. L., Buckler, C. E., Lane, H. C., Kamada, K., Adachi, A. & Martin, M. A. (2007). Human immunodeficiency virus type 1 derivative with 7% simian immunodeficiency virus genetic content is able to establish infections in pig-tailed macaques. *J Virol* 81, 11549–11552.
- Javanbakht, H., Diaz-Griffero, F., Strelau, M., Si, Z. & Sodroski, J. (2005). The contribution of RING and B-box 2 domains to retroviral restriction mediated by monkey TRIM5 $\alpha$ . *J Biol Chem* 280, 26933–26940.
- Jia, B., Serra-Moreno, R., Neidermyer, W., Rahmberg, A., Mackey, J., Fofana, I. B., Johnson, W. E., Westmoreland, S. & Evans, D. T. (2009). Species-specific activity of SIV Nef and HIV-1 Vpu in overcoming restriction by tetherin/BST2. *PLoS Pathog* 5, e1000429.
- Johnson, W. E. & Sawyer, S. L. (2009). Molecular evolution of the antiretroviral TRIM5 gene. *Immunogenetics* 61, 163–176.
- Kamada, K., Igarashi, T., Martin, M. A., Khamsri, B., Hatcho, K., Yamashita, T., Fujita, M., Uchiyama, T. & Adachi, A. (2006). Generation of HIV-1 derivatives that productively infect macaque monkey lymphoid cells. *Proc Natl Acad Sci U S A* 103, 16959–16964.
- Kirmaier, A., Wu, F., Newman, R. M., Hall, L. R., Morgan, J. S., O'Connor, S., Marx, P. A., Meythaler, M., Goldstein, S. & other authors (2010). TRIM5 suppresses cross-species transmission of a primate immunodeficiency virus and selects for emergence of resistant variants in the new species. *PLoS Biol* 8, e1000462.
- Kuroishi, A., Saito, A., Shingai, Y., Shioda, T., Nomaguchi, M., Adachi, A., Akari, H. & Nakayama, E. E. (2009). Modification of a loop sequence between  $\alpha$ -helices 6 and 7 of virus capsid (CA) protein in a human immunodeficiency virus type 1 (HIV-1) derivative that has simian immunodeficiency virus (SIVmac239) *vif* and CA  $\alpha$ -helices 4 and 5 loop improves replication in cynomolgus monkey cells. *Retrovirology* 6, 70.
- Laguet, N., Sobhian, B., Casartelli, N., Ringgaard, M., Chable-Bessia, C., Ségéral, E., Yatim, A., Emiliani, S., Schwartz, O. & Benkirane, M. (2011). SAMHD1 is the dendritic- and myeloid-cell-specific HIV-1 restriction factor counteracted by Vpx. *Nature* 474, 654–657.
- Liao, C.-H., Kuang, Y.-Q., Liu, H.-L., Zheng, Y.-T. & Su, B. (2007). A novel fusion gene, TRIM5-Cyclophilin A in the pig-tailed macaque determines its susceptibility to HIV-1 infection. *AIDS* 21 (Suppl. 8), S19–S26.
- Lim, S. Y., Rogers, T., Chan, T., Whitney, J. B., Kim, J., Sodroski, J. & Letvin, N. L. (2010). TRIM5 $\alpha$  modulates immunodeficiency virus control in rhesus monkeys. *PLoS Pathog* 6, e1000738.
- Mariani, R., Chen, D., Schröfelbauer, B., Navarro, F., König, R., Bollman, B., Münk, C., Nymark-McMahon, H. & Landau, N. R. (2003). Species-specific exclusion of APOBEC3G from HIV-1 virions by Vif. *Cell* 114, 21–31.
- Nakayama, E. E., Maegawa, H. & Shioda, T. (2006). A dominant-negative effect of cynomolgus monkey tripartite motif protein TRIM5 $\alpha$  on anti-simian immunodeficiency virus SIVmac activity of an African green monkey orthologue. *Virology* 350, 158–163.
- Nakayama, E. E., Carpentier, W., Costagliola, D., Shioda, T., Iwamoto, A., Debre, P., Yoshimura, K., Autran, B., Matsushita, S. & Theodorou, I. (2007). Wild type and H43Y variant of human TRIM5 $\alpha$  show similar anti-human immunodeficiency virus type 1 activity both in vivo and in vitro. *Immunogenetics* 59, 511–515.
- Neil, S. J., Zang, T. & Bieniasz, P. D. (2008). Tetherin inhibits retrovirus release and is antagonized by HIV-1 Vpu. *Nature* 451, 425–430.
- Newman, R. M., Hall, L., Kirmaier, A., Pozzi, L. A., Pery, E., Farzan, M., O'Neil, S. P. & Johnson, W. (2008). Evolution of a TRIM5–CypA splice isoform in Old World monkeys. *PLoS Pathog* 4, e1000003.
- Nomaguchi, M., Doi, N., Fujiwara, S., Saito, A., Akari, H., Nakayama, E. E., Shioda, T., Yokoyama, M., Sato, H. & other authors (2013a). Systemic biological analysis of the mutations in two distinct HIV-1mt genomes occurred during replication in macaque cells. *Microbes Infect* 15, 319–328.
- Nomaguchi, M., Yokoyama, M., Kono, K., Nakayama, E. E., Shioda, T., Saito, A., Akari, H., Yasutomi, Y., Matano, T. & other authors (2013b). Gag-CA Q110D mutation elicits TRIM5-independent enhancement of HIV-1mt replication in macaque cells. *Microbes Infect* 15, 56–65.
- Perez-Caballero, D., Hatzioannou, T., Yang, A., Cowan, S. & Bieniasz, P. D. (2005). Human tripartite motif 5 $\alpha$  domains responsible for retrovirus restriction activity and specificity. *J Virol* 79, 8969–8978.
- Price, A. J., Marzetta, F., Lammers, M., Ylinen, L. M., Schaller, T., Wilson, S. J., Towers, G. J. & James, L. C. (2009). Active site remodeling switches HIV specificity of antiretroviral TRIMCyp. *Nat Struct Mol Biol* 16, 1036–1042.
- Saito, A., Nomaguchi, M., Iijima, S., Kuroishi, A., Yoshida, T., Lee, Y. J., Hayakawa, T., Kono, K., Nakayama, E. E. & other authors (2011). Improved capacity of a monkey-tropic HIV-1 derivative to replicate in cynomolgus monkeys with minimal modifications. *Microbes Infect* 13, 58–64.
- Saito, A., Kono, K., Nomaguchi, M., Yasutomi, Y., Adachi, A., Shioda, T., Akari, H. & Nakayama, E. E. (2012a). Geographical, genetic and functional diversity of antiretroviral host factor TRIMCyp in cynomolgus macaque (*Macaca fascicularis*). *J Gen Virol* 93, 594–602.
- Saito, A., Kawamoto, Y., Higashino, A., Yoshida, T., Ikoma, T., Suzuki, Y., Ami, Y., Shioda, T., Nakayama, E. E. & Akari, H. (2012b). Allele frequency of antiretroviral host factor TRIMCyp in wild-caught cynomolgus macaques (*Macaca fascicularis*). *Front Microbiol* 3, 314.
- Samson, M., Libert, F., Doranz, B. J., Rucker, J., Liesnard, C., Farber, C. M., Saragosti, S., Lapoumeroulie, C., Cogniaux, J. & other authors (1996). Resistance to HIV-1 infection in caucasian individuals bearing mutant alleles of the CCR-5 chemokine receptor gene. *Nature* 382, 722–725.
- Sawyer, S. L., Wu, L. I., Akey, J. M., Emerman, M. & Malik, H. S. (2006). High-frequency persistence of an impaired allele of the retroviral defense gene TRIM5 $\alpha$  in humans. *Curr Biol* 16, 95–100.
- Sheehy, A. M., Gaddis, N. C., Choi, J. D. & Malim, M. H. (2002). Isolation of a human gene that inhibits HIV-1 infection and is suppressed by the viral Vif protein. *Nature* 418, 646–650.
- Shin, H. D., Winkler, C., Stephens, J. C., Bream, J., Young, H., Goedert, J. J., O'Brien, T. R., Vlahov, D., Buchbinder, S. & other authors (2000). Genetic restriction of HIV-1 pathogenesis to AIDS by promoter alleles of IL10. *Proc Natl Acad Sci U S A* 97, 14467–14472.
- Shioda, T. & Nakayama, E. E. (2006). Human genetic polymorphisms affecting HIV-1 diseases. *Int J Hematol* 84, 12–17.

Speelmon, E. C., Livingston-Rosanoff, D., Li, S. S., Vu, Q., Bui, J., Geraghty, D. E., Zhao, L. P. & McElrath, M. J. (2006). Genetic association of the antiviral restriction factor TRIM5 $\alpha$  with human immunodeficiency virus type 1 infection. *J Virol* **80**, 2463–2471.

Stremlau, M., Owens, C. M., Perron, M. J., Kiessling, M., Autissier, P. & Sodroski, J. (2004). The cytoplasmic body component TRIM5 $\alpha$  restricts HIV-1 infection in Old World monkeys. *Nature* **427**, 848–853.

Thippeshappa, R., Polacino, P., Yu Kimata, M. T., Siwak, E. B., Anderson, D., Wang, W., Sherwood, L., Arora, R., Wen, M. & other authors (2011). Vif substitution enables persistent infection of pig-tailed macaques by human immunodeficiency virus type 1. *J Virol* **85**, 3767–3779.

Van Damme, N., Goff, D., Katsura, C., Jorgenson, R. L., Mitchell, R., Johnson, M. C., Stephens, E. B. & Guatelli, J. (2008). The interferon-induced protein BST-2 restricts HIV-1 release and is downregulated from the cell surface by the viral Vpu protein. *Cell Host Microbe* **3**, 245–252.

van Manen, D., Rits, M. A., Beugeling, C., van Dort, K., Schuitemaker, H. & Kootstra, N. A. (2008). The effect of *Trim5* polymorphisms on the clinical course of HIV-1 infection. *PLoS Pathog* **4**, e18.

Ylinen, L. M., Price, A. J., Rasaiyaah, J., Hué, S., Rose, N. J., Marzetta, F., James, L. C. & Towers, G. J. (2010). Conformational adaptation of Asian macaque TRIMCyp directs lineage specific antiviral activity. *PLoS Pathog* **6**, e1001062.



# Macaque-tropic human immunodeficiency virus type 1: breaking out of the host restriction factors

Akatsuki Saito<sup>1,2\*</sup> and Hirofumi Akari<sup>1</sup>

<sup>1</sup> Center for Human Evolution Modeling Research, Primate Research Institute, Kyoto University, Inuyama, Japan

<sup>2</sup> Japan Foundation for AIDS Prevention, Chiyoda-ku, Japan

## Edited by:

Tomoyuki Miura, Kyoto University, Japan

## Reviewed by:

Emi E. Nakayama, Osaka University, Japan  
Yoshiaki Nishimura, National Institutes of Health, USA

## \*Correspondence:

Akatsuki Saito, Center for Human Evolution Modeling Research, Primate Research Institute, Kyoto University, Inuyama, Aichi 484-8506, Japan  
e-mail: akatsuki.saito@gmail.com

Macaque monkeys serve as important animal models for understanding the pathogenesis of lentiviral infections. Since human immunodeficiency virus type 1 (HIV-1) hardly replicates in macaque cells, simian immunodeficiency virus (SIV) or chimeric viruses between HIV-1 and SIV (SHIV) have been used as challenge viruses in this research field. These viruses, however, are genetically distant from HIV-1. Therefore, in order to evaluate the efficacy of anti-HIV-1 drugs and vaccines in macaques, the development of a macaque-tropic HIV-1 (HIV-1mt) having the ability to replicate efficiently in macaques has long been desired. Recent studies have demonstrated that host restriction factors, such as APOBEC3 family and TRIM5, impose a strong barrier against HIV-1 replication in macaque cells. By evading these restriction factors, others and we have succeeded in developing an HIV-1mt that is able to replicate in macaques. In this review, we have attempted to shed light on the role of host factors that affect the susceptibility of macaques to HIV-1mt infection, especially by focusing on TRIM5-related factors.

**Keywords:** macaques, HIV-1, animal model, host factors, genetic background

## INTRODUCTION

It is estimated that about 2.5 million individuals per year get infected with human immunodeficiency virus type 1 (HIV-1), a causative agent of acquired immunodeficiency syndrome (AIDS; UNAIDS Global report 2012, <http://www.unaids.org/>). To contain the disastrous epidemic, we need to consider effective approaches. For the pre-clinical evaluation of the anti-HIV-1 vaccines and therapy, it is necessary to have suitable animal models. Moreover, animal models would also aid for the understanding of the underlying mechanisms of HIV-1 pathogenicity. Since HIV-1 shows very narrow species specificity, being limited to human and apes, it has been quite challenging to develop an ideal animal model in which HIV-1 efficiently replicates and induces pathogenicity. Instead, many kinds of surrogate models developed as alternative strategy have provided us many important insights. In this decade, the molecular characterization of antiviral host restriction factors has dramatically progressed and shed light on the understanding of the viral specificity. These findings encouraged us to develop a novel non-human primate model for HIV-1 infection on the basis of a new concept (i.e., introduction of minimal modification to HIV-1 genome), by which the resultant virus would overcome a number of restriction factors. In this review, we summarize the history of the identification of the restriction factors and also discuss its impact and future direction on the development of HIV-1 animal models.

## HISTORY OF HIV-1 ANIMAL MODELS

### HIV-1 INFECTION IN SMALL ANIMALS

After the identification of HIV-1 as a causative agent of AIDS, many investigators sought to develop animal models for further research (reviewed in Gardner and Luciw, 1989). Although many efforts were performed in small animals, HIV-1 did not infect rodents,

such as mice and rats, due to a number of restrictions, including the inability of HIV-1 Env to use the surface molecules in these animals as binding and entry receptors (Atchison et al., 1996) and the defect of murine cyclin T1 protein to associate with HIV-1 Tat (Kwak et al., 1999). Although rabbits were once expected to show susceptibility to HIV-1 infection (Filice et al., 1988; Kulaga et al., 1989), the reproducibility of this model remains to be elucidated (Reina et al., 1993; Speck et al., 1998; Tervo and Keppler, 2010). In an attempt to overcome the limitation in using these animals, several versions of humanized mice such as SCID-hu-PBL (severe combined immunodeficiency-human peripheral blood lymphocytes) mice (Mosier et al., 1988), Rag2<sup>-/-</sup>  $\gamma$ c<sup>-/-</sup> mice (Traggiai et al., 2004), NOG (NOD/Shi-scid/IL-2R $\gamma$  null) mice (Ito et al., 2002), NSG (NOD scid gamma) mice (Shultz et al., 2005), and NOD/SCID-hu BLT mice (Melkus et al., 2006), have been generated (reviewed in Berges and Rowan, 2011). To generate this model, human immune cells were implanted into immunocompromised mice. After reconstitution of engrafted immune cells, HIV-1 replication in these animals was investigated. Generally, robust HIV-1 replication and loss of peripheral CD4<sup>+</sup> T cells is observed in infected animals. Therefore, this model system would be useful for evaluation of drugs and neutralizing antibodies against HIV-1 (Denton et al., 2008). Moreover, this model provides important insight about the viral latency and the role of accessory genes *in vivo* (Denton et al., 2012; Marsden et al., 2012; Sato et al., 2012). However, none or weak immune response is observed in these animals. Moreover, this model requires special surgical skills and facilities to perform experiments.

### HIV-1 INFECTION IN NON-HUMAN PRIMATES

Differently from other pathogenic viruses for human such as measles and mumps, HIV-1 does not replicate in New World

monkeys (NWMs) and Old World monkeys (OWMs). In cells from NWMs, such as squirrel monkey (*Saimiri sciureus*) and common marmoset (*Callithrix jacchus*), the cluster of differentiation 4 (CD4) and C-C chemokine receptor type 5 (CCR5) molecules function insufficiently as binding and entry receptors (LaBonte et al., 2002). On the other hand, in OWM cells, most HIV-1 enters target cells as efficiently as human cells. Interestingly, recent studies revealed that some subtypes of HIV-1 are unable to efficiently utilize macaque CD4 because of the difference in the C-terminus of the D1 domain of CD4 between human and OWMs, and therefore adaptive mutation was required for optimal efficiency (Humes and Overbaugh, 2011; Humes et al., 2012). After entering target cells, the subsequent steps of HIV-1 life cycle (i.e., uncoating and reverse transcription) are strongly abolished in OWM cells (Shibata et al., 1995; Hofmann et al., 1999). Although pigtailed macaque (*Macaca nemestrina*; hereafter denoted as PM) was once believed to be promising because of its higher susceptibility to HIV-1 infection as compared to other OWMs (Agy et al., 1992), the HIV-1 replication in those animals was weak and the trial of serial *in vivo* passage was shown to be unsuccessful (Agy et al., 1997). Among the animals examined for their susceptibility to HIV-1 infection, chimpanzees and gibbon apes were identified to have high susceptibility (Fultz et al., 1986; Lusso et al., 1988). In 1980s and 1990s, many chimpanzees were experimentally infected with HIV-1, including clinically isolated viruses and molecularly cloned viruses, resulting in a robust viral replication (Alter et al., 1984; Fultz et al., 1987, 1999; Nara et al., 1987; Prince et al., 1988). These experiments provided many important insights, including the roles of neutralizing antibody in protective immunity. While some of the infected chimpanzees experienced AIDS-related symptoms (Fultz et al., 1991; Novembre et al., 1997; O'Neil et al., 2000), most of them seemed not to develop apparent clinical symptoms (Gardner and Luciw, 1989; Johnson et al., 1993). Furthermore, there are many concerns about using chimpanzees, including ethical issues and their quite high rearing cost; therefore, researchers finally decided not to use this ape for HIV-1 research (Cohen, 2007). Therefore, the need for the development of other non-human primate models has been increasing.

#### SIV INFECTION IN NON-HUMAN PRIMATES

As a surrogate model, simian immunodeficiency virus (SIV) infection in Asian macaques, such as rhesus macaque (*Macaca mulatta*; hereafter denoted as RM) and cynomolgus macaque (*Macaca fascicularis*; hereafter denoted as CM) has been developed. While SIV efficiently replicates in its natural host [e.g., sooty mangabey (*Cercocebus atys*; hereafter denoted as SM) for SIVsm and African green monkey (*Chlorocebus sabaeus*; hereafter denoted as AGM) for SIVagm, respectively; Ohta et al., 1988; Kraus et al., 1989], infected animals generally do not develop immunodeficiency, unlike the course of HIV-1 infection in humans. In the 1980s, accidental transmission of SIVsm to RMs caused a lethal disease, and the symptoms were quite similar to those seen in AIDS patients (Daniel et al., 1985; Letvin et al., 1985). Thereafter, the pathogenic virus was molecularly cloned as SIVmac (Naidu et al., 1988; Kestler et al., 1990). The combination of SIVmac and RMs has been broadly utilized as a surrogate model for HIV-1 infection because of its similarity in the genome structure and pathogenicity.

Specifically, this model dramatically advanced our understanding in terms of the functional roles of the viral accessory genes *in vivo* (Kestler et al., 1991; Gibbs et al., 1995; Hirsch et al., 1998). Moreover, this model provided the important finding that the acquired protective immunity induced by live-attenuated vaccines was effective against homologous and heterologous SIV challenges (Daniel et al., 1992; Wyand et al., 1996, 1999).

#### INFECTION OF CHIMERIC VIRUS BETWEEN HIV-1 AND SIV IN NON-HUMAN PRIMATES

Accumulating evidence has demonstrated the inability of intact HIV-1 to replicate in OWM cells. Then, what kind of viral components in HIV-1 and SIV determine their host tropism? In an effort to answer this profound question, many researchers constructed chimeric viruses between HIV-1 and SIV and analyzed their viral replication in human and OWM cells. It was shown that chimeric viruses containing HIV-1-derived *gag* and/or *vif* were unable to replicate in macaque cells and that a chimeric virus encoding HIV-1-derived *env* on the SIVmac backbone was able to replicate in primary OWM cells (Shibata et al., 1991; Shibata and Adachi, 1992), indicating that the step of entry was not the determinant for the species specificity of HIV-1. As a consequence of vigorous investigation, Shibata et al. finally succeeded to construct a prototypic simian-human immunodeficiency virus (hereafter denoted as SHIV) clone that encodes HIV-1-derived *tat*, *rev*, *vpu*, and *env* genes on the SIVmac239 backbone (Shibata et al., 1991; Shibata and Adachi, 1992). This SHIV clone was shown to efficiently replicate in primary macaque cells. Thereafter, many groups developed several versions of SHIV. Of note, by serial passaging of apathogenic SHIV-89.6 in monkeys, Reimann et al. (1996) successfully obtained a highly pathogenic virus (SHIV-89.6P) that caused rapid and complete depletion of peripheral CD4<sup>+</sup> T cells, leading to simian AIDS. These chimeric viruses not only enabled us to evaluate the efficacy of antiviral immunity against HIV-1 Env but also supplied us important insights on what kind of SIVmac-derived genes are necessary to replicate in macaque cells. This SHIV model became a huge breakthrough for HIV-1 investigators; by using SHIV, the mechanism and efficacy of passive immunization (Shibata et al., 1999; Baba et al., 2000; Nishimura et al., 2002) as well as vaccine candidates (Igarashi et al., 1997; Letvin et al., 1997; Cafaro et al., 1999) were vigorously investigated. Incidentally, the lower sequence homology in RT between SIV and HIV-1 limited this model for the evaluation of antiretroviral drugs especially against RT. To overcome this limitation, RT-SHIV, which encodes HIV-1 RT in the place of SIVmac RT, was developed and used for the assessment of RT inhibitors (Uberla et al., 1995; Ambrose et al., 2004; North et al., 2005). SHIV carrying HIV-1 integrase (IN) in addition to RT was also constructed (Akiyama et al., 2008). These efforts have dramatically advanced the basic research related to HIV-1. However, since these viruses were constructed on the basis of SIVmac backbone, SHIVs are still far from HIV-1. Moreover, some pathogenic SHIV clones, such as SHIV-89.6P, show quite different phenotypes in macaques, unlike those in HIV-1 infection of humans and SIVmac infection of macaques (Feinberg and Moore, 2002). First, these SHIVs induced abnormally rapid, profound, and irreversible loss of CD4<sup>+</sup> T cells in macaques, differently from the gradual



decline of CD4<sup>+</sup> T cells observed in most HIV-1-infected patients (McCune, 2001). Second, these SHIVs were somehow highly susceptible to neutralizing antibodies, while most HIV-1 isolates and pathogenic SIVs were resistant to neutralization. Therefore, earlier vaccine studies using SHIV as a challenge virus succeeded in controlling viral replication by immunization with vaccine candidates (Amara et al., 2001; Barouch et al., 2001). Notably, these outcomes were frequently observed in experiments with SHIV using C-X-C chemokine receptor type 4 (CXCR4; X4-tropic virus), or SHIV using both CXCR4 and CCR5 as co-receptors (dual-tropic virus). Since HIV-1 in human population usually uses CCR5 as a co-receptor during transmission (Schuitemaker et al., 1992), it will be straightforward to develop an R5-tropic SHIV in order to reproduce the transmission, latency, and pathogenicity of HIV-1 in macaques. In fact, R5-tropic SHIVs were recently constructed and their phenotype seemed different from those of X4-tropic SHIVs and dual-tropic SHIVs. It is thought that X4-tropic SHIV selectively infects CXCR4<sup>+</sup> naive CD4<sup>+</sup> T cells that are enriched in secondary lymph nodes, while most SIV and R5-tropic SHIV mainly target CCR5<sup>+</sup> memory CD4<sup>+</sup> T cells in extra-lymphoid immune effector sites such as gut, lung and genital tract, explaining the divergent clinical sequel (Harouse, 1999; Nishimura et al., 2004; Ho et al., 2005). Especially, mucosal infection with R5-tropic SHIV would be a promising tool for investigating protection and transmission of immunodeficiency viruses (Matsuda et al., 2010; Bomsel et al., 2011; Gautam et al., 2012; Moldt et al., 2012).

In spite of the usefulness of these SHIVs in experiments targeting HIV-1 *env*, the low similarity in other genes, especially *gag* and *pol*, still limits the use of this virus as a challenge virus. Since cytotoxic T lymphocyte (CTL) response against Gag protein is thought to play a central role in controlling viral replication (Kiepiela et al., 2007), the absence of HIV-1-derived *gag* in current SHIV hampers evaluation of vaccine candidate against HIV-1 Gag. To solve this problem, we need to proceed to construct more relevant animal models of HIV-1. In this decade, our knowledge about host factors that form species barrier against HIV-1 has dramatically increased. This knowledge would permit us to develop an HIV-1 clone having the potential to replicate in macaques. Many efforts to develop a more feasible model were made by several groups as described below. Here, we summarize the role of anti-HIV-1 restriction factors in macaque cells and the viral antagonists against these factors.

## INTRINSIC HOST FACTORS

### APOBEC3 FAMILY

It has long been observed that the infectivity of *vif* gene-deficient HIV-1 in certain T cell lines such as H9 and CEM, as well as primary lymphocytes, was strongly decreased (Gabuzda et al., 1992; Sakai et al., 1993; Tervo and Keppler, 2010). Virions produced from these restrictive cells have less infectivity as compared to the wild-type virus. Many efforts were made to identify a cellular factor that conferred this restrictive activity. In particular, the fact that heterokaryons between permissive and restrictive cells suppressed the infectivity of the *vif*-deficient HIV-1 clearly suggested the existence of a potent endogenous inhibitor of HIV-1 replication in restrictive cells (Madani and Kabat, 1998; Simon et al., 1998). Finally, in 2002, the apolipoprotein B mRNA editing

enzyme catalytic polypeptide 3 G (APOBEC3G; hereafter denoted as A3G) was identified as a novel host restriction factor in human cells (Sheehy et al., 2002). A3G is expressed in various tissues including testis, ovary, spleen, and peripheral blood mononuclear cells (PBMCs; Jarmuz et al., 2002). Since A3G is a member of the cytidine deaminase enzyme, the *vif*-deficient virus contains many G-to-A mutations in its minus-strand genome, leading to disruption of infectivity. Moreover, the fact that deamination-deficient mutant A3G can still inhibit *vif*-deficient HIV-1 implied that A3G exerts its antiviral activity with deamination-dependent and deamination-independent fashion (Newman et al., 2005). In order to counteract the A3G-mediated restriction, HIV-1 has equipped its genome with *vif* gene and the resultant protein, Vif, efficiently inhibits A3G incorporation into progeny virions by inducing proteasome-dependent degradation of A3G (Conticello et al., 2003; Kao et al., 2003; Mehle et al., 2004). Recently, it was reported that core-binding factor beta (CBF $\beta$ ), a transcription regulator through RUNX binding, was required for HIV-1 Vif to degrade A3G (Hultquist et al., 2012; Jager et al., 2012). SIVmac Vif similarly recruits CBF $\beta$  in order to neutralize the RM A3G (Hultquist et al., 2012; Jager et al., 2012). It was also proposed that HIV-1 Vif suppresses human A3G activity by inhibiting the translation of A3G (Mercenne et al., 2010). Although the human genome encodes other six A3 members (A3A, B, C, DE, F, and H) in addition to A3G, the precise antiviral activity of the A3 proteins remains to be elucidated. Human A3F was also reported to have anti-HIV-1 activity and susceptibility to HIV-1 Vif (Lid-dament et al., 2004; Wiegand et al., 2004; Zheng et al., 2004). In contrast, Miyagi et al. (2010) suggested that the antiviral activity of endogenous level of human A3F was negligible as compared to the activity of A3G. It is known that human A3DE and A3F, in addition to A3G, are also sensitive to counteraction by HIV-1 Vif (Goila-Gaur and Strebel, 2008). As seen in humans, the RM genome also encodes seven A3 members (Schmitt et al., 2011). Virgen and Hatzioannou (2007) investigated the susceptibility of HIV-1 to each RM A3 family member and showed that A3B, A3E, A3G, and A3H had the ability to restrict HIV-1 and were resistant to HIV-1 Vif activity. It should be noted that Vif-A3G interaction shows species specificity (Mariani et al., 2003). HIV-1 Vif is able to counteract A3G from humans but not from RM and AGM (Zennou and Bieniasz, 2006; Virgen and Hatzioannou, 2007). Conversely, SIVagm Vif is effective against A3G from AGM and RM, but unable to antagonize A3G from human and chimpanzee (Mariani et al., 2003). SIVmac Vif efficiently counteracts A3G from human, chimpanzee, AGM, and RM (Mariani et al., 2003). Are there any polymorphisms in the A3 family? In case of humans, a polymorphism in A3B deletion was reported (Kidd et al., 2007). In RMs, a polymorphism in A3DE was observed and was reported to affect the antiviral activity (Virgen and Hatzioannou, 2007). How can we obtain HIV-1 with the ability to overcome macaque A3s? Many efforts have been made to evade from the restriction by the macaque A3 family. Schrofelbauer et al. (2006) showed that mutations of HIV-1 Vif at positions 14–17 from DRMR into SEMQ allowed HIV-1 Vif interaction with A3G from RM. However, this HIV-1 Vif harboring SEMQ remained susceptible to A3B, A3E, and A3H from RM (Virgen and Hatzioannou, 2007), suggesting that the introduction of this sequence

in HIV-1 Vif was not sufficient for evading from A3s other than A3G. Besides, since the replication of HIV-1 in OWM cells was suppressed, at least at two steps (early and late stages of HIV-1 lifecycle), it is reasonable to speculate that just a modification of *vif* is insufficient for HIV-1 to overcome the restriction in various OWM cells.

### BONE MARROW STROMAL ANTIGEN 2

It had been observed that the production of *vpu*-deficient HIV-1 in certain cell lines was severely diminished (Klimkait et al., 1990; Sakai et al., 1995). Specifically, while permissive cells, such as HEK293T and HT1080 cells, allowed comparative levels of virion production, non-permissive cells, such as Jurkat and HeLa cells, decreased the amount of virion production in the absence of *vpu*. It was also reported that interferon (IFN) treatment led to phenotype switch from permissive to non-permissive (Neil et al., 2007). Thus, the existence of unknown IFN-inducible, *Vpu*-sensitive cellular factors, was predicted. In 2008, bone marrow stromal antigen 2 (BST-2), also known as tetherin, CD317, and HM1.24, was identified by two independent groups (Neil et al., 2008; Van Damme et al., 2008). BST-2 is a type 2 integral membrane protein, with the N-terminus located in the cytoplasm, one membrane-spanning domain, and a C-terminus modified by the addition of a glycosyl-phosphatidylinositol (GPI) anchor (Kupzig et al., 2003). Erikson et al. (2011) analyzed the expression profile of BST-2 *in vivo* and demonstrated that BST-2 was expressed in various tissues, especially spleen and alimentary system. They also showed that among PBMCs, monocytes express high levels of BST-2 as compared to T and B cells. Furthermore, like tripartite motif-containing protein 5 (TRIM5 $\alpha$ ), hominid BST-2, but not other primate BST-2, has been recently reported to function as an innate sensor, leading to the transforming growth factor  $\beta$  activated kinase-1 (TAK1)-dependent activation of NF $\kappa$ B and subsequent production of pro-inflammatory cytokines (Galao et al., 2012). Cocka and Bates (2012) recently showed that human BST-2 gene expressed alternative splice isoforms that led to different antiviral activity as well as sensing activity from the wild-type one. To overcome BST-2-mediated restriction, HIV-1 downregulates BST-2 from the cell surface by expressing *Vpu* protein, a viral protein absent in most of the SIVsm/HIV-2 lineage (Neil et al., 2008; Van Damme et al., 2008). On the other hand, HIV-2 utilizes *Env* protein as an antagonist for human BST-2 (Le Tortorec and Neil, 2009). In the case of SIVmac, *Nef* protein confers the ability to overcome BST-2-mediated restriction in RM cells (Jia et al., 2009; Sauter et al., 2009; Zhang et al., 2009). It is also reported that *Env* protein of SIVtan [SIV from Tantalus monkeys (*Chlorocebus tantalus*)] was effective against BST-2 from human and RM (Gupta et al., 2009). It should be noted that the antagonistic activity of these viral proteins against BST-2 is thought to function in a species-specific manner. While *Vpu* from the HIV-1 group M is able to counteract human and chimpanzee BST-2, most of these *Vpus* are ineffective against BST-2 from RM and AGM (McNatt et al., 2009; Sauter et al., 2009). In contrast, *Nef* from SIVmac is effective for BST-2 from RM and SM but ineffective for BST-2 from human (Jia et al., 2009). This characteristic resistance of human BST-2 to SIV *Nef* was proven to have an association with the deletion in human BST-2 of 5 amino acid residues, to which

SIV *Nef* binds (Jia et al., 2009; Zhang et al., 2009). Although most SIVsm/HIV-2 lineage does not encode *vpu* gene, SIVcpz, SIVgor [SIV from gorillas (*Gorilla gorilla gorilla*)], SIVgsn [SIV from greater spot-nosed guenons (*Cercopithecus nictitans*)], SIVmon [SIV from mona monkeys (*Cercopithecus mona*)], SIVmus [SIV from moustached monkey (*Cercopithecus cephus*)], and SIVden [SIV from Dent's mona monkey (*Cercopithecus denti*)] were shown to harbor the *vpu* gene (Courgnaud et al., 2003; Dazza et al., 2005). Recently, Sauter et al. (2009) demonstrated that *Vpus* from SIVgsn and SIVden potentially counteracted the BST-2 from RM. Moreover, Shingai et al. (2011) showed that *Vpu* from SHIV<sub>DH12</sub> potentially counteracted BST-2 from RM. It is therefore possible that the exchange of present HIV-1<sub>NL4-3</sub>-derived-*Vpus* with these *Vpus* might lead to efficient evasion from the BST-2-mediated restriction in macaque cells. It was reported that a *nef*-deleted SIVmac239 inoculated to RM became pathogenic after *in vivo* passage (Alexander et al., 2003; Serra-Moreno et al., 2011). Serra-Moreno et al. (2011) showed that the *nef*-deleted SIVmac239 gained the ability to antagonize BST-2 by utilizing its *Env* gp41 as a consequence of adaptive mutations in the *env* gene. In addition, *Vpu* from the less pathogenic HIV-1 group O was reported to lose anti-BST-2 activity (Sauter et al., 2009). It was shown that SHIV<sub>DH12</sub> lacking intact *Vpu* inefficiently replicated *in vivo* as compared to the wild-type virus (Shingai et al., 2011). These findings indicate the importance of evasion from BST-2-mediated restriction for lentiviral pathogenesis *in vivo*. Although detailed genetic information is limited, the BST-2 gene is reported to be polymorphic at least in RM (McNatt et al., 2009). Therefore, when using macaques for HIV-1 research, we should also appreciate the polymorphisms in BST-2 gene.

### SAMHD1

It has long been observed that HIV-1 replication in myeloid lineage cells, such as macrophages and dendritic cells (DCs) was impaired and the expression of HIV-2/SIV *Vpx* *in trans* was shown to rescue this inhibition (Goujon et al., 2007, 2008; Kaushik et al., 2009). The sterile alpha motif (SAM) and histidine/aspartic acid (HD) domain containing protein 1 (SAMHD1) was identified as an HIV-1 restriction factor in myeloid cells that were degraded by the HIV-2/SIV *Vpx* protein (Hrecka et al., 2011; Laguette et al., 2011). SAMHD1 was reported to restrict HIV-1 replication in resting CD4<sup>+</sup> T cells as well (Baldauf et al., 2012; Descours et al., 2012). Historically, SAMHD1 is shown to be associated with the Aicardi-Goutières autoimmune-mediated neurodevelopmental syndrome. Patients having a mutation in SAMHD1 gene would have symptoms of abnormal immune activation likely due to the excessive production of IFN $\alpha$  (Crow and Rehwinkel, 2009; Rice et al., 2009). Since SAMHD1 functions as a deoxyguanosine triphosphate (dGTP)-regulated deoxynucleoside triphosphate (dNTP) triphosphohydrolase (Powell et al., 2011), it exerts its anti-HIV-1 activity via the depletion of dNTP pools in virus-infected cells, leading to the inhibition of the reverse transcription (Lahouassa et al., 2012). The fact that SAMHD1-deficient CD14<sup>+</sup> monocytes efficiently permit HIV-1 replication supports this notion (Berger et al., 2011). It is noteworthy that SAMHD1 exerts its antiviral activity against various retroviruses ranging from alpha, beta and gamma retrovirus,

except for prototype foamy virus and Human T cell leukemia virus type I (HTLV-1; Gramberg et al., 2013). As described above, the SAMHD1-mediated restriction would be counteracted by HIV-2/SIV Vpx. Hofmann et al. (2012) showed that Vpx recruits SAMHD1 to a cullin4 A-RING E3 ubiquitin ligase, leading to proteasomal degradation. The importance of Vpx *in vivo* was based on the fact that the replication of vpx-deleted SIV in monkeys was significantly weaker than that in wild-type SIV (Gibbs et al., 1995; Hirsch et al., 1998; Belshan et al., 2012). However, vpx-deleted SIV still had the ability to induce simian AIDS in macaques, suggesting a limited role of SAMHD1-mediated restriction in SIV pathogenesis (Gibbs et al., 1995). It is of note that while HIV-2 as well as most of SIV lineage such as SIVmac encodes vpx, HIV-1 as well as some SIV lineage such as SIVcpz and SIVgor does not encode vpx in its genome. Similar to the relationship between A3G and Vif, SAMHD1 is also antagonized by viral proteins in a species-specific manner. For instance, Vpxs from SIVmac and SIVsm are effective against SAMHD1 from human, OWMs, and NWMs (Laguette et al., 2012), while those from SIVrcm [SIV from red-capped mangabey (*Cercocebus torquatus*)] or SIVmnd [SIV from mandrill (*Mandrillus sphinx*)] are effective against SAMHD1 from OWMs and NWMs but not from humans (Lim et al., 2012). Lim et al. (2012) also found that Vpr from some SIV lineage, such as SIVdeb [SIV from De Brazza's monkey (*Cercopithecus neglectus*)], SIVmus, and a part of SIVagm (SIV from AGM), has the potency of degrading SAMHD1 from RM and AGM. It would be of great interest to introduce these vprs into HIV-1mt and examine whether this modification would enhance the viral replication in myeloid lineage cells from macaques.

### TRIM5

It was demonstrated that the replication of HIV-1 in OWMs cells was severely abolished before reverse transcription (Besnier et al., 2002; Cowan et al., 2002; Munk et al., 2002). An experiment using interspecies heterokaryons between OWM and human cells suggested the existence of an inhibitory factor in OWM cells (Munk et al., 2002). Stremmler et al. (2004) by screening the RM cDNA library, successfully identified TRIM5 $\alpha$  as a restriction factor in RM cells that confer permissive cells resistance to HIV-1 infection. They also demonstrated that RM TRIM5 $\alpha$ , but not human TRIM5 $\alpha$ , could restrict HIV-1 infection. On the other hand, human TRIM5 $\alpha$  potently restricts the N-tropic murine leukemia virus (N-MLV) as well as the equine infectious anemia virus (EIAV) but not B-tropic murine leukemia virus (B-MLV; Hatzioannou et al., 2004; Keckesova et al., 2004; Perron et al., 2004; Yap et al., 2004), indicating the importance of TRIM5 $\alpha$  as a host factor restricting the cross-species transmission of retroviruses. TRIM5 $\alpha$  is ubiquitously expressed and consists of a RING domain, a B-box domain, a coiled coil domain, and a PRYSPRY (B30.2) domain (Reymond et al., 2001). The characteristic PRYSPRY domain recognizes the capsid of incoming retroviruses, leading to the restriction of the infection at the post-entry step. This domain is also responsible for the species-specific function of TRIM5 $\alpha$  (Nakayama and Shioda, 2010). It was shown that TRIM5 $\alpha$  was IFN-inducible and that IFN treatment of cells led to the augmentation of antiviral activity (Asaoka et al., 2005; Sakuma et al., 2007). An additional role of TRIM5 $\alpha$  as a pattern

recognition receptor was recently identified (Pertel et al., 2011). TRIM5 $\alpha$  binds to the incoming viral capsid and then activates its E3 ligase activity, together with the UBC13–UEV1A enzyme complex, resulting in the synthesis of free ubiquitin chains. The chains stimulate TAK1 phosphorylation and the expression of NF- $\kappa$ B (nuclear factor kappa-light-chain-enhancer of activated B cells)- and MPK (mitogen-activated protein kinase)-responsive genes, leading to an antiviral state (De Silva and Wu, 2011). Among the restriction factors discussed here, TRIM5 gene might be most polymorphic in primates. At what degree does this polymorphism in TRIM5 gene affect the susceptibility to retroviral infection? A length polymorphism in TRIM5 $\alpha$ , in which the TFP residues from position 339 to 341 of TRIM5 $\alpha$  were replaced with a single glutamine (Q), was identified in some RM individuals (Newman et al., 2006). This TFP/Q polymorphism affects the anti-lentiviral activity of RM TRIM5 $\alpha$  against SIVsmE543-3 and SIVsmE041 but not against SIVmac (Kirmaier et al., 2010). Similarly, this polymorphism in RM TRIM5 $\alpha$  is associated with the different antiviral activity against HIV-2 (Kono et al., 2008).

Although most cell lines from NWMs were susceptible to VSV-G pseudotyped HIV-1, cell lines from owl monkey (*Aotus trivirgatus*) exceptionally showed high resistance to infection by HIV-1 (Hofmann et al., 1999). As the reason for this discrepancy, Sayah et al. (2004) successfully identified TRIM5-Cyclophilin A (CypA) chimeric protein (referred to as TRIMCyp) in owl monkey, which was derived from LINE-1-mediated retrotransposition of CypA cDNA into the region between TRIM5 exons 7 and 8. In the case of OWMs, the higher susceptibility of PM to HIV-1 infection was, at least in part, explained by the fact that PM exclusively have the TRIMCyp genotype instead of TRIM5 $\alpha$  (Liao et al., 2007; Brennan et al., 2008; Virgen et al., 2008). Differently from owl monkey TRIMCyp, the TRIMCyp of PM was a consequence of a retrotransposition of the CypA sequence in the 3' untranslated region (UTR) of the TRIM5 gene, together with a single nucleotide polymorphism (SNP) at the exon 7 splice acceptor site. This SNP at the splice acceptor site leads to skipping exons 7 and 8 encoding the PRYSPRY domain and splicing to the inserted CypA gene. In addition to PM, it is reported so far that RM and CM also possess TRIMCyp in their genome (Brennan et al., 2008; Newman et al., 2008; Wilson et al., 2008). Interestingly, RM has geographic deviation in the frequency of TRIMCyp, depending on the country of origin (Wilson et al., 2008). It is reported that Indian RM possessed TRIMCyp more frequently than Chinese RM (Wilson et al., 2008; De Groot et al., 2011). We recently reported that CM also showed divergent frequency of TRIMCyp depending on their country of origin (Saito et al., 2012b). The frequency of TRIMCyp in Filipino CM was significantly higher than that in Malaysian and Indonesian CM. We demonstrated that wild-caught CM also had a geographic deviation in the frequency of TRIMCyp as seen in captive CM (Saito et al., 2012a). Consistently, Dietrich et al. (2011) reported that the frequency of TRIMCyp in Filipino CM was higher than those in Indonesian and Indochina CM. It was shown that Mauritian CM, a population thought to be derived from Indonesian CM, seemed not to possess TRIMCyp, probably due to the founder effects at the time of introduction by human (Dietrich et al., 2011; Berry et al., 2012). Since TRIM5 $\alpha$  is expected to act as homomultimer (Mische et al., 2005; Perez-Caballero et al.,

2005), heterologous expression of *TRIM5 $\alpha$*  in combination with *TRIM5* isoforms other than *TRIM5 $\alpha$*  reportedly led to a dominant negative effect on the *TRIM5 $\alpha$*  antiviral activity (Berthoux et al., 2005; Maegawa et al., 2008). Interestingly, it was reported that RM heterozygous for *TRIM5 $\alpha$*  and *TRIMCyp* showed higher resistance to repeated intrarectal challenge of SIVsmE660 as compared to RM homozygous for *TRIM5 $\alpha$*  or *TRIMCyp* (Reynolds et al., 2011). Since RM *TRIMCyp* could restrict SIVsm but not SIVmac (Kirmaier et al., 2010), it is reasonable to assume that the combination of *TRIM5 $\alpha$*  and *TRIMCyp* may function more efficiently as antiviral factors against SIVsm. We will further discuss the impact of *TRIM5* polymorphism on the viral replication in the latter chapter. In summary, since *TRIM5* genotype would greatly influence the susceptibility to lentiviruses, the correlation between polymorphism of *TRIM5* gene in macaques and outcomes should be carefully evaluated.

### UNIDENTIFIED RESTRICTION FACTORS

Viral infection usually stimulates cellular factors through pattern recognition receptors, such as Toll-like receptor (TLRs) and RIG-I-like receptors, expressed on many type of cells, leading to the induction of IFN production (Bowie and Unterholzner, 2008). In particular, type I IFN, which include IFN- $\alpha$  and IFN- $\beta$ , puts a switch on the IFN-stimulated gene 15 (ISG15), leading to a cascade of antiviral status (Zhao et al., 2013). The expression levels of the restriction factors described above are reported to increase via IFN stimulation (Asaoka et al., 2005; Tanaka et al., 2006; Neil et al., 2007; Sakuma et al., 2007). Lately, Bitzegeio et al. (2013) have demonstrated that HIV-1-based chimeric viruses, engineered to overcome SAMHD1 or BST-2 as well as A3 and *TRIM5* from PM, are still severely restricted in IFN-treated PM PBMCs. They have also demonstrated that the replication of SIVmac in IFN-treated human PBMCs is greatly suppressed, and *vice versa*. This finding strongly suggests the existence of unidentified, IFN-inducible restriction factors in each species. Therefore, it is also necessary to continue exploring such unidentified cellular factors.

### CONSTRUCTION OF MACAQUE-TROPIC HIV-1

In virtue of the detailed understanding of the molecular relationship between antiviral host factors and viral antagonists (summarized in Tables 1 and 2), it became possible to create a macaque-tropic HIV-1 (HIV-1mt) with the ability to replicate in OWM cells. In 2006, two independent groups succeeded in the construction of an HIV-1mt that contains partial SIV-derived sequences on the HIV-1<sub>NL4-3</sub> backbone. Hatzioannou et al. (2006) constructed HIV-1mt that contains the entire Gag-CA and *vif* from SIVmac in order to evade from *TRIM5 $\alpha$* - and A3G-mediated restriction, respectively. This HIV-1mt, which contains approximately 88% of HIV-1-derived sequence, was shown to efficiently replicate in RM PBLs. In parallel with that study, Kamada et al. (2006) constructed HIV-1mt named NL-DT5R in which the sequence of CypA binding loop [the loops of  $\alpha$ -helices 4 and 5 (L4/5)] in Gag-CA and entire *vif* gene were replaced with those from SIVmac239. NL-DT5R, in which approximately 93% of its sequence was derived from HIV-1, was shown to replicate in a CM T cell line (HSC-F cells) as well as

**Table 1 | Antiviral host factors and antagonism by lentiviral proteins.**

Antiviral host factors	Antagonized by	NOT antagonized by	
Human APOBEC3G	HIV-1 Vif	SIVagm Vif	
	SIVmac Vif		
RM APOBEC3G	SIVmac Vif	HIV-1 Vif	
	SIVagm Vif		
Human BST-2	HIV-1 Vpu	HIV-1 Nef	
	HIV-2 Env	SIVmac Nef	
RM BST-2	SIVgsn Vpu	HIV-1 Vpu*	
	SIVden Vpu		
	SIVmac Nef		
Human SAMHD1	SIVdeb Vpr	HIV-1 Vpr	
	SIVmus Vpr	SIVmac Vpr	
	SIVmac Vpx	SIVrcm Vpx	
	HIV-2 Vpx	SIVmnd Vpx	
	RM SAMHD1	SIVdeb Vpr	HIV-1 Vpr
		SIVmus Vpr	SIVmac Vpr
		SIVagm Vpr	SIVrcm Vpr
SIVmac Vpx			
	HIV-2 Vpx**		
	SIVrcm Vpx		
	SIVmnd Vpx		

Summary of findings about APOBEC3G-Vif interaction (Sheehy et al., 2002; Kao et al., 2003; Mariani et al., 2003; Zennou and Bieniasz, 2006; Virgen and Hatzioannou, 2007), BST-2-Vpu, Nef, and Env interaction (Neil et al., 2008; Van Damme et al., 2008; Jia et al., 2009; Le Tortorec and Neil, 2009; Sauter et al., 2009; Zhang et al., 2009; Serra-Moreno et al., 2011), and SAMHD1-Vpx and Vpr interaction (Hrecka et al., 2011; Laguette et al., 2011, 2012; Lirn et al., 2012). \*Vpus from some HIV-1 strains such as HIV-1<sub>DH12</sub> are able to antagonize RM BST-2. \*\*Vpxs from some HIV-2 strains are ineffective in antagonizing RM SAMHD1.

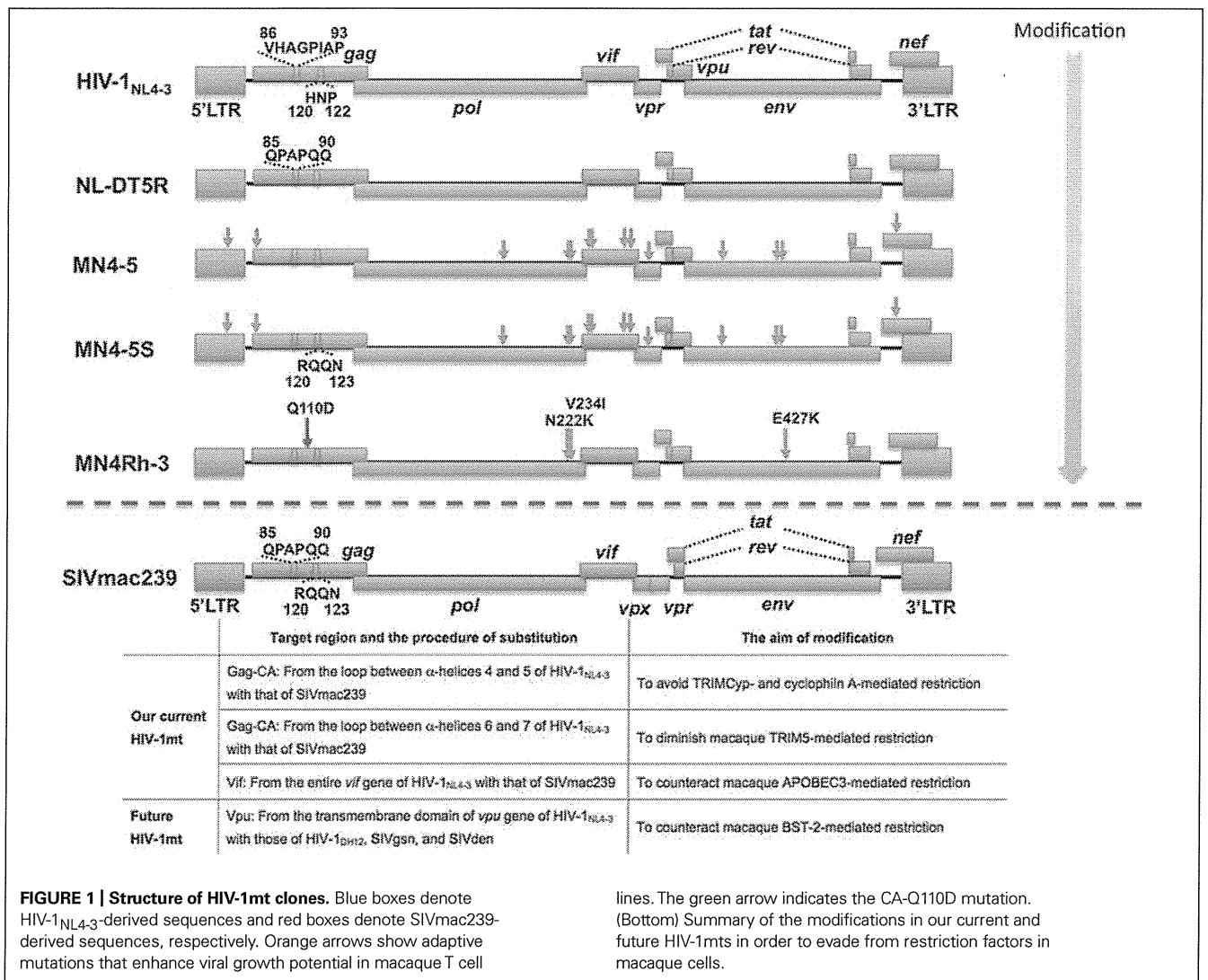
**Table 2 | Species-specific restriction of lentiviruses by primate *TRIM5* proteins.**

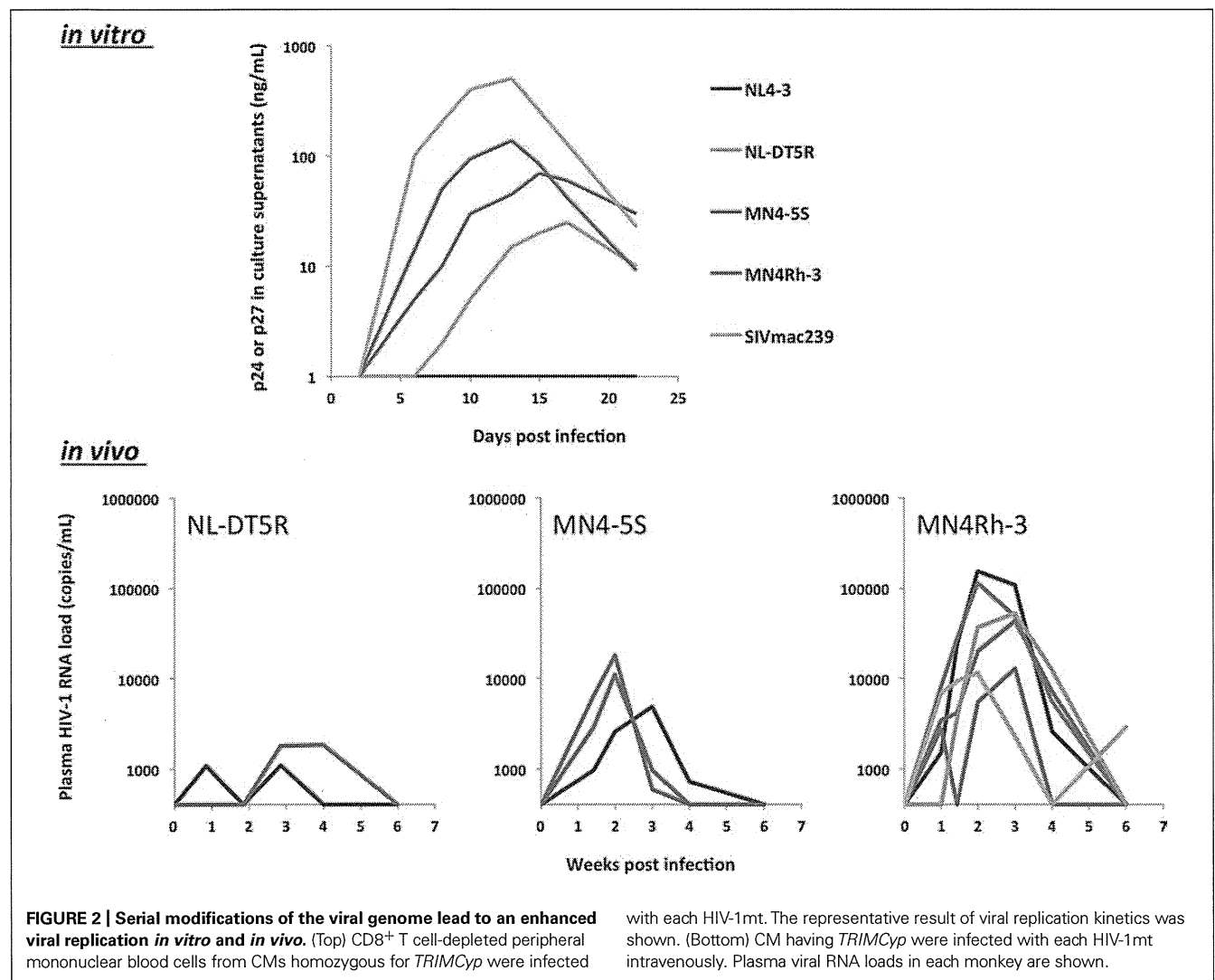
<i>TRIM5</i> alleles	Restrictive against:		
	HIV-1	HIV-1mt MN4Rh-3	SIVmac239
Human <i>TRIM5<math>\alpha</math></i>	–	–	–
RM <i>TRIM5<math>\alpha</math></i> (TFP)	+	+	–
RM <i>TRIM5<math>\alpha</math></i> (Q)	+	+	–
CM <i>TRIM5<math>\alpha</math></i>	+	+	–
RM <i>TRIMCyp</i>	–	–	–
PM <i>TRIMCyp</i>	–	–	–
CM <i>TRIMCyp</i> (DK)	+	–	–
CM <i>TRIMCyp</i> (NE)	–	–	–

Summary of findings about interactions between each *TRIM5* allele and lentiviruses (Stremmlau et al., 2004; Newman et al., 2006; Liao et al., 2007; Brennan et al., 2008; Virgen et al., 2008; Dietrich et al., 2011; Saito et al., 2012b). "+" denotes restrictive, while "–" denotes not restrictive against each lentivirus, respectively.

CD8<sup>+</sup> cell-depleted PM PBMCs but hardly in CD8<sup>+</sup> cell-depleted RM PBMCs. Subsequently, Igarashi et al. (2007) investigated the replication capability of NL-DT5R in PM and found that this prototypic HIV-1mt was able to induce acute viremia up to around 1 × 10<sup>4</sup> copies/mL. Thereafter, in order to enhance the viral replication, we further modified the sequence of NL-DT5R-based HIV-1mt by 2 different approaches. First, we performed a long-term adaptation experiment in CM T cell lines to induce adaptive mutation in its genome. As a consequence of adaptation, several nucleotide substitutions were identified (see Figure 1, orange arrows in MN4-5 and MN4-5S). The functional significance of each mutation was molecularly evaluated (Nomaguchi et al., 2013a). Second, we introduced the α-helices 6 and 7 (L6/7) in addition to L4/5 of Gag-CA into MN4-5, resulting in MN4-5S. As shown in Figure 2, this substitution enhanced the viral replication *in vitro* (Kuroishi et al., 2009) and *in vivo* (Saito et al., 2011). We next constructed a new HIV-1mt named MN4Rh-3 carrying the Q110D substitution in Gag-CA. This HIV-1mt exhibited further enhanced growth property specifically in macaque cells but

impaired replication in human cells (Nomaguchi et al., 2013b). We also examined the replicative property of MN4Rh-3 in CM (Saito et al., 2013). In accordance with *in vitro* data (Nomaguchi et al., 2013b), MN4Rh-3 induced higher viremia on average up to 50 times as compared to MN4-5S (Figure 2). Notably, TRIMCyp homozygotes were highly permissive to MN4Rh-3 infection, while the replication of MN4Rh-3 in TRIM5 homozygotes was strongly suppressed. We also observed that CM heterologous for TRIM5α and TRIMCyp showed similar anti-HIV-1 activity with TRIMCyp homozygotes (Saito et al., 2013). These findings indicated that MN4Rh-3 enhanced the replicative capability in CM having TRIMCyp, but was still unable to overcome TRIM5α-mediated restriction. It should be noted that the sequence of most TRIMCyp encoded in CM are different from those in RM and PM. It was once thought that CM exclusively possessed TRIMCyp in which the amino acid residues at positions 369 (Cyp66) and 446 (Cyp143) were aspartic acid (D) and lysine (K) [denoted as the TRIMCyp (DK)], respectively, while PM and RM had TRIMCyp in which the amino acids at the corresponding positions were asparagine (N)





and glutamic acid (E) [denoted as the *TRIMCyp* (NE); Brennan et al., 2008; Ylinen et al., 2010], respectively. However, others and we recently revealed that CM possessed *TRIMCyp* (NE) as well as *TRIMCyp* (DK) in spite of the low frequency of *TRIMCyp* (NE) haplotype in CM population (Dietrich et al., 2011; Saito et al., 2012a,b). Strikingly, others and we reported that *TRIMCyp* (DK) and *TRIMCyp* (NE) exhibit different anti-lentiviral activity. It is well established that the *TRIMCyp* (DK) efficiently restricts HIV-1 but weakly restricts HIV-2 (Saito et al., 2012b). On the other hand, the *TRIMCyp* (NE) fails to restrict HIV-1 but efficiently restricts HIV-2 (Wilson et al., 2008). It was also shown that both haplotypes hardly restricted SIVmac239 replication. These results indicate that the sequence variations in *CypA* greatly affect the spectrum of their anti-HIV-1 activity. However, how does *TRIMCyp* (DK) exert its anti-HIV-1 activity? Actually, *TRIMCyp* (DK) is expected to bind the L4/5 in Gag-CA. Moreover, the treatment of the target cells with cyclosporin A, an inhibitor against *CypA*, or the introduction of amino acid changes in this loop of the viral genome relieved the inhibitory effect by *TRIMCyp* (DK; Ylinen et al., 2010). Therefore, when we use CM homozygous for *TRIMCyp* (DK), it is

necessary to modify the loop in order to evade restriction. In fact, we have used HIV-1mts in which the L4/5 in Gag-CA were replaced with the corresponding sequence of SIVmac239 (Kamada et al., 2006). In contrast, those research groups that used PM did not need to modify this region. Hatzioannou et al. (2009) have successfully constructed an HIV-1mt that induced persistent viremia in PM with modification of only *vif* and *env* gene. Similarly, Thippeshappa et al. (2011) also constructed an HIV-1mt named HSIV-*vif* that encoded *vif* gene from pathogenic PM-adapted SIVmne027. This HSIV-*vif* was shown to persistently replicate in PM but was unable to induce pathogenicity in animals. Overall, further understanding of the host-virus relationship would permit us to construct pathogenic HIV-1mt in future studies.

necessary to modify the loop in order to evade restriction. In fact, we have used HIV-1mts in which the L4/5 in Gag-CA were replaced with the corresponding sequence of SIVmac239 (Kamada et al., 2006). In contrast, those research groups that used PM did not need to modify this region. Hatzioannou et al. (2009) have successfully constructed an HIV-1mt that induced persistent viremia in PM with modification of only *vif* and *env* gene. Similarly, Thippeshappa et al. (2011) also constructed an HIV-1mt named HSIV-*vif* that encoded *vif* gene from pathogenic PM-adapted SIVmne027. This HSIV-*vif* was shown to persistently replicate in PM but was unable to induce pathogenicity in animals. Overall, further understanding of the host-virus relationship would permit us to construct pathogenic HIV-1mt in future studies.

## CONCLUSIONS AND FUTURE DIRECTIONS

Most HIV-1mts were constructed with the aim of evading from TRIM5 and APOBEC3-mediated restriction. In the future research, as discussed above, we should also focus on other factors such as BST-2 and SAMHD1. It will be promising to modify viral genome in order to overcome these restrictions. We expect that

such procedure will lead to the construction of a new HIV-1mt with the ability to infect various macaques persistently.

Also, as discussed in the “History of HIV-1 animal models” chapter, an R5-tropic virus would be promising to reproduce the transmission, latency, and pathogenicity of HIV-1 in macaques. In the future study, the construction of an R5-tropic virus on the HIV-1mt backbone would encourage us to examine the antiviral agents, vaccines, and microbicides in macaques. Moreover, HIV-1mt that robustly replicate and induce pathogenicity in monkeys will make feasible to investigate the role and mechanism of HIV-1

accessory genes in the HIV-1 lifecycle, persistence, and pathogenesis. In summary, although the road to the containment of HIV-1 epidemic may be long and steep, we have been moving forward slowly but steadily.

## ACKNOWLEDGMENTS

The authors would like to give special thanks to Atsunori Higashino and Saori Suzuki for helpful suggestions. This work was supported by grants from the Ministry of Health, Labor, and Welfare of Japan.

## REFERENCES

- Agy, M. B., Frumkin, L. R., Corey, L., Coombs, R. W., Wolinsky, S. M., Koehler, J., et al. (1992). Infection of *Macaca nemestrina* by human immunodeficiency virus type-1. *Science* 257, 103–106. doi: 10.1126/science.1621083
- Agy, M. B., Schmidt, A., Florey, M. J., Kennedy, B. J., Schaefer, G., Katze, M. G., et al. (1997). Serial in vivo passage of HIV-1 infection in *Macaca nemestrina*. *Virology* 238, 336–343. doi: 10.1006/viro.1997.8832
- Akiyama, H., Ishimatsu, M., Miura, T., Hayami, M., and Ido, E. (2008). Construction and infection of a new simian/human immunodeficiency chimeric virus (SHIV) containing the integrase gene of the human immunodeficiency virus type 1 genome and analysis of its adaptation to monkey cells. *Microbes Infect.* 10, 531–539. doi: 10.1016/j.micinf.2008.02.001
- Alexander, L., Illyinskii, P. O., Lang, S. M., Means, R. E., Lifson, J., Mansfield, K., et al. (2003). Determinants of increased replicative capacity of serially passaged simian immunodeficiency virus with nef deleted in rhesus monkeys. *J. Virol.* 77, 6823–6835. doi: 10.1128/JVI.77.12.6823-6835.2003
- Alter, H. J., Eichberg, J. W., Masur, H., Saxinger, W. C., Gallo, R., Macher, A. M., et al. (1984). Transmission of HTLV-III infection from human plasma to chimpanzees: an animal model for AIDS. *Science* 226, 549–552. doi: 10.1126/science.6093251
- Amara, R. R., Villinger, F., Altman, J. D., Lydy, S. L., O’Neil, S. P., Staprans, S. I., et al. (2001). Control of a mucosal challenge and prevention of AIDS by a multiprotein DNA/MVA vaccine. *Science* 292, 69–74. doi: 10.1126/science.1058915
- Ambrose, Z., Boltz, V., Palmer, S., Coffin, J. M., Hughes, S. H., and Kewalramani, V. N. (2004). In vitro characterization of a simian immunodeficiency virus-human immunodeficiency virus (HIV) chimera expressing HIV type 1 reverse transcriptase to study antiviral resistance in pigtail macaques. *J. Virol.* 78, 13553–13561. doi: 10.1128/JVI.78.24.13553-13561.2004
- Asaoka, K., Ikeda, K., Hishinuma, T., Horie-Inoue, K., Takeda, S., and Inoue, S. (2005). A retrovirus restriction factor TRIM5alpha is transcriptionally regulated by interferons. *Biochem. Biophys. Res. Commun.* 338, 1950–1956. doi: 10.1016/j.bbrc.2005.10.173
- Atchison, R. E., Gosling, J., Montecarlo, F. S., Franci, C., Digilio, L., Charo, I. F., et al. (1996). Multiple extracellular elements of CCR5 and HIV-1 entry: dissociation from response to chemokines. *Science* 274, 1924–1926. doi: 10.1126/science.274.5294.1924
- Baba, T. W., Liska, V., Hofmann-Lehmann, R., Vlasak, J., Xu, W., Aychunie, S., et al. (2000). Human neutralizing monoclonal antibodies of the IgG1 subtype protect against mucosal simian-human immunodeficiency virus infection. *Nat. Med.* 6, 200–206. doi: 10.1038/72309
- Baldauf, H. M., Pan, X., Erikson, E., Schmidt, S., Daddacha, W., Burggraf, M., et al. (2012). SAMHD1 restricts HIV-1 infection in resting CD4(+) T cells. *Nat. Med.* 18, 1682–1687. doi: 10.1038/nm.2964
- Barouch, D. H., Santra, S., Kuroda, M. J., Schmitz, J. E., Plishka, R., Buckler-White, A., et al. (2001). Reduction of simian-human immunodeficiency virus 89.6P viremia in rhesus monkeys by recombinant modified vaccinia virus Ankara vaccination. *J. Virol.* 75, 5151–5158. doi: 10.1128/JVI.75.11.5151-5158.2001
- Belshan, M., Kimata, J. T., Brown, C., Cheng, X., McCulley, A., Larsen, A., et al. (2012). Vpx is critical for SIVmne infection of pigtail macaques. *Retrovirology* 9, 32. doi: 10.1186/1742-4690-9-32
- Berger, A., Sommer, A. F., Zwarg, J., Hamdorf, M., Welzel, K., Esly, N., et al. (2011). SAMHD1-deficient CD14+ cells from individuals with Aicardi-Goutieres syndrome are highly susceptible to HIV-1 infection. *PLoS Pathog.* 7:e1002425. doi: 10.1371/journal.ppat.1002425
- Berges, B. K., and Rowan, M. R. (2011). The utility of the new generation of humanized mice to study HIV-1 infection: transmission, prevention, pathogenesis, and treatment. *Retrovirology* 8, 65. doi: 10.1186/1742-4690-8-65
- Berry, N. J., Marzetta, F., Towers, G. J., and Rose, N. J. (2012). Diversity of TRIM5alpha and TRIMCyp sequences in cynomolgus macaques from different geographical origins. *Immunogenetics* 64, 267–278. doi: 10.1007/s00251-011-0585-x
- Berthou, L., Sebastian, S., Sayah, D. M., and Luban, J. (2005). Disruption of human TRIM5alpha antiviral activity by nonhuman primate orthologues. *J. Virol.* 79, 7883–7888. doi: 10.1128/JVI.79.12.7883-7888.2005
- Besnier, C., Takeuchi, Y., and Towers, G. (2002). Restriction of lentivirus in monkeys. *Proc. Natl. Acad. Sci. U.S.A.* 99, 11920–11925. doi: 10.1073/pnas.172384599
- Bitzegeio, J., Sampias, M., Bieniasz, P. D., and Hatzioannou, T. (2013). Adaptation to the interferon-induced antiviral state by human and simian immunodeficiency viruses. *J. Virol.* 87, 3549–3560. doi: 10.1128/JVI.03219-12
- Bomsel, M., Tudor, D., Drillet, A. S., Alfsen, A., Ganor, Y., Roger, M. G., et al. (2011). Immunization with HIV-1 gp41 subunit virosomes induces mucosal antibodies protecting nonhuman primates against vaginal SHIV challenges. *Immunity* 34, 269–280. doi: 10.1016/j.immuni.2011.01.015
- Bowie, A. G., and Unterholzner, L. (2008). Viral evasion and subversion of pattern-recognition receptor signaling. *Nat. Rev. Immunol.* 8, 911–922. doi: 10.1038/nri2436
- Brennan, G., Kozyrev, Y., and Hu, S. L. (2008). TRIMCyp expression in Old World primates *Macaca nemestrina* and *Macaca fascicularis*. *Proc. Natl. Acad. Sci. U.S.A.* 105, 3569–3574. doi: 10.1073/pnas.0709511105
- Cafaro, A., Caputo, A., Fracasso, C., Maggiorella, M. T., Goletti, D., Baroncelli, S., et al. (1999). Control of SHIV-89.6P-infection of cynomolgus monkeys by HIV-1 Tat protein vaccine. *Nat. Med.* 5, 643–650. doi: 10.1038/9488
- Cocka, L. J., and Bates, P. (2012). Identification of alternatively translated Tetherin isoforms with differing antiviral and signaling activities. *PLoS Pathog.* 8:e1002931. doi: 10.1371/journal.ppat.1002931
- Cohen, J. (2007). Animal studies. NIH to end chimp breeding for research. *Science* 316, 1265. doi: 10.1126/science.316.5829.1265
- Conticello, S. G., Harris, R. S., and Neuberger, M. S. (2003). The Vif protein of HIV triggers degradation of the human antiretroviral DNA deaminase APOBEC3G. *Curr. Biol.* 13, 2009–2013. doi: 10.1016/j.cub.2003.10.034
- Courgnaud, V., Abela, B., Pourrut, X., Mpoudi-Ngole, E., Loul, S., Delaporte, E., et al. (2003). Identification of a new simian immunodeficiency virus lineage with a vpu gene present among different *cercopithecus* monkeys (*C. mona*, *C. cephus*, and *C. nictitans*) from Cameroon. *J. Virol.* 77, 12523–12534. doi: 10.1128/JVI.77.23.12523-12534.2003
- Cowan, S., Hatzioannou, T., Cunningham, T., Muesing, M. A., Gottlinger, H. G., and Bieniasz, P. D. (2002). Cellular inhibitors with Fv1-like activity restrict human and simian immunodeficiency virus tropism. *Proc. Nat. Acad. Sci. U.S.A.* 99, 11914–11919. doi: 10.1073/pnas.162299499
- Crow, Y. J., and Rehwinkel, J. (2009). Aicardi-Goutieres syndrome and related phenotypes: linking nucleic acid metabolism with autoimmunity. *Hum. Mol. Genet.* 18, R130–R136. doi: 10.1093/hmg/ddp293
- Daniel, M. D., Kirchoff, F., Czajak, S. C., Sehgal, P. K., and Desrosiers, R. C. (1992). Protective effects of

- a live attenuated SIV vaccine with a deletion in the nef gene. *Science* 258, 1938–1941. doi: 10.1126/science.1470917
- Daniel, M. D., Letvin, N. L., King, N. W., Kannagi, M., Sehgal, P. K., Hunt, R. D., et al. (1985). Isolation of T-cell tropic HTLV-III-like retrovirus from macaques. *Science* 228, 1201–1204. doi: 10.1126/science.3159089
- Dazza, M. C., Ekwilanga, M., Nende, M., Shamamba, K. B., Bitshi, P., Paraskevis, D., et al. (2005). Characterization of a novel vpu-harboring simian immunodeficiency virus from a Dent's Mona monkey (*Cercopithecus mona denti*). *J. Virol.* 79, 8560–8571. doi: 10.1128/JVI.79.13.8560-8571.2005
- De Groot, N. G., Heijmans, C. M., Koopman, G., Verschoor, E. J., Bogers, W. M., and Bontrop, R. E. (2011). TRIM5 allelic polymorphism in macaque species/populations of different geographic origins: its impact on SIV vaccine studies. *Tissue Antigens* 78, 256–262. doi: 10.1111/j.1399-0039.2011.01768.x
- Denton, P. W., Estes, J. D., Sun, Z., Othieno, F. A., Wei, B. L., Wege, A. K., et al. (2008). Antiretroviral pre-exposure prophylaxis prevents vaginal transmission of HIV-1 in humanized BLT mice. *PLoS Med.* 5:e16. doi: 10.1371/journal.pmed.0050016
- Denton, P. W., Olesen, R., Choudhary, S. K., Archin, N. M., Wahl, A., Swanson, M. D., et al. (2012). Generation of HIV latency in humanized BLT mice. *J. Virol.* 86, 630–634. doi: 10.1128/JVI.06120-11
- Descours, B., Cribier, A., Chable-Bessia, C., Ayinde, D., Rice, G., Crow, Y., et al. (2012). SAMHD1 restricts HIV-1 reverse transcription in quiescent CD4(+) T-cells. *Retrovirology* 9, 87. doi: 10.1186/1742-4690-9-87
- De Silva, S., and Wu, L. (2011). TRIM5 acts as more than a retroviral restriction factor. *Viruses* 3, 1204–1209. doi: 10.3390/v3071204
- Dietrich, E. A., Brennan, G., Ferguson, B., Wiseman, R. W., O'Connor, D., and Hu, S. L. (2011). Variable prevalence and functional diversity of the antiretroviral restriction factor TRIMCyp in *Macaca fascicularis*. *J. Virol.* 85, 9956–9963. doi: 10.1128/JVI.00097-11
- Erikson, E., Adam, T., Schmidt, S., Lehmann-Koch, J., Over, B., Goffinet, C., et al. (2011). In vivo expression profile of the antiviral restriction factor and tumor-targeting antigen CD317/BST-2/HM1.2A/tetherin in humans. *Proc. Natl. Acad. Sci. U.S.A.* 108, 13688–13693. doi: 10.1073/pnas.1101684108
- Feinberg, M. B., and Moore, J. P. (2002). AIDS vaccine models: challenging challenge viruses. *Nat. Med.* 8, 207–210. doi: 10.1038/nm0302-207
- Filice, G., Cereda, P. M., and Varnier, O. E. (1988). Infection of rabbits with human immunodeficiency virus. *Nature* 335, 366–369. doi: 10.1038/335366a0
- Fultz, P. N., McClure, H. M., Swenson, R. B., Mcgrath, C. R., Brodie, A., Getchell, J. P., et al. (1986). Persistent infection of chimpanzees with human T-lymphotropic virus type III/lymphadenopathy-associated virus: a potential model for acquired immunodeficiency syndrome. *J. Virol.* 58, 116–124.
- Fultz, P. N., Siegel, R. L., Brodie, A., Mawle, A. C., Stricker, R. B., Swenson, R. B., et al. (1991). Prolonged CD4+ lymphocytopenia and thrombocytopenia in a chimpanzee persistently infected with human immunodeficiency virus type 1. *J. Infect. Dis.* 163, 441–447. doi: 10.1093/infdis/163.3.441
- Fultz, P. N., Srinivasan, A., Greene, C. R., Butler, D., Swenson, R. B., and McClure, H. M. (1987). Superinfection of a chimpanzee with a second strain of human immunodeficiency virus. *J. Virol.* 61, 4026–4029.
- Fultz, P. N., Wei, Q., and Yue, L. (1999). Rectal transmission of human immunodeficiency virus type 1 to chimpanzees. *J. Infect. Dis.* 179(Suppl. 3), S418–S421. doi: 10.1086/314796
- Gabuzda, D. H., Lawrence, K., Langhoff, E., Terwilliger, E., Dorfman, T., Haseltine, W. A., et al. (1992). Role of vif in replication of human immunodeficiency virus type 1 in CD4+ T lymphocytes. *J. Virol.* 66, 6489–6495. doi: 10.1186/1742-4690-9-93
- Galao, R. P., Le Tortorec, A., Pickering, S., Kueck, T., and Neil, S. J. (2012). Innate sensing of HIV-1 assembly by Tetherin induces Nf-kappaB-dependent proinflammatory responses. *Cell Host Microbe* 12, 633–644. doi: 10.1016/j.chom.2012.10.007
- Gardner, M. B., and Luciw, P. A. (1989). Animal models of AIDS. *FASEB J.* 3, 2593–2606. doi: 10.1038/nrmi-02911
- Gautam, R., Nishimura, Y., Lee, W. R., Donau, O., Buckler-White, A., Shingai, M., et al. (2012). Pathogenicity and mucosal transmissibility of the R5-tropic simian/human immunodeficiency virus SHIV(AD8) in rhesus macaques: implications for use in vaccine studies. *J. Virol.* 86, 8516–8526. doi: 10.1128/JVI.00644-12
- Gibbs, J. S., Lackner, A. A., Lang, S. M., Simon, M. A., Sehgal, P. K., Daniel, M. D., et al. (1995). Progression to AIDS in the absence of a gene for vpr or vpx. *J. Virol.* 69, 2378–2383.
- Goila-Gaur, R., and Strebel, K. (2008). HIV-1 Vif, APOBEC, and intrinsic immunity. *Retrovirology* 5:51. doi: 10.1186/1742-4690-5-51
- Goujon, C., Arfi, V., Pertel, T., Luban, J., Lienard, J., Rigal, D., et al. (2008). Characterization of simian immunodeficiency virus SIVSM/human immunodeficiency virus type 2 Vpx function in human myeloid cells. *J. Virol.* 82, 12335–12345. doi: 10.1128/JVI.01181-08
- Goujon, C., Riviere, L., Jarrosson-Wuilleme, L., Bernaud, J., Rigal, D., Darlix, J. L., et al. (2007). SIVSM/HIV-2 Vpx proteins promote retroviral escape from a proteasome-dependent restriction pathway present in human dendritic cells. *Retrovirology* 4, 2. doi: 10.1186/1742-4690-4-2
- Gramberg, T., Kahle, T., Bloch, N., Wittmann, S., Müllers, E., Daddacha, W., et al. (2013). Restriction of diverse retroviruses by SAMHD1. *Retrovirology* 10, 26. doi: 10.1186/1742-4690-10-26
- Gupta, R. K., Mlcochova, P., Pelchen-Matthews, A., Petit, S. J., Mattiuzzo, G., Pillay, D., et al. (2009). Simian immunodeficiency virus envelope glycoprotein counteracts tetherin/BST-2/CD317 by intracellular sequestration. *Proc. Natl. Acad. Sci. U.S.A.* 106, 20889–20894. doi: 10.1073/pnas.0907075106
- Harouse, J. M. (1999). Distinct Pathogenic Sequela in Rhesus Macaques Infected with CCR5 or CXCR4 Utilizing SHIVs. *Science* 284, 816–819. doi: 10.1126/science.284.5415.816
- Hatzioannou, T., Ambrose, Z., Chung, N. P., Piatak, M. Jr., Yuan, F., Trubey, C. M., et al. (2009). A macaque model of HIV-1 infection. *Proc. Natl. Acad. Sci. U.S.A.* 106, 4425–4429. doi: 10.1073/pnas.0812587106
- Hatzioannou, T., Perez-Caballero, D., Yang, A., Cowan, S., and Bieniasz, P. D. (2004). Retrovirus resistance factors Ref1 and Lvl are species-specific variants of TRIM5alpha. *Proc. Natl. Acad. Sci. U.S.A.* 101, 10774–10779. doi: 10.1073/pnas.0402361101
- Hatzioannou, T., Princiotta, M., Piatak, M. Jr., Yuan, F., Zhang, F., Lifson, J. D., et al. (2006). Generation of simian-tropic HIV-1 by restriction factor evasion. *Science* 314, 95. doi: 10.1126/science.1130994
- Hirsch, V. M., Sharkey, M. E., Brown, C. R., Brichacek, B., Goldstein, S., Wakefield, J., et al. (1998). Vpx is required for dissemination and pathogenesis of SIV(SM) PBj: evidence of macrophage-dependent viral amplification. *Nat. Med.* 4, 1401–1408. doi: 10.1038/3992
- Ho, S. H., Shek, L., Gettie, A., Blanchard, J., and Cheng-Mayer, C. (2005). V3 loop-determined coreceptor preference dictates the dynamics of CD4+ T-cell loss in simian-human immunodeficiency virus-infected macaques. *J. Virol.* 79, 12296–12303. doi: 10.1128/JVI.79.19.12296-12303.2005
- Hofmann, H., Logue, E. C., Bloch, N., Daddacha, W., Polsky, S. B., Schultz, M. L., et al. (2012). The Vpx lentiviral accessory protein targets SAMHD1 for degradation in the nucleus. *J. Virol.* 86, 12552–12560. doi: 10.1128/JVI.01657-12
- Hofmann, W., Schubert, D., LaBonte, J., Munson, L., Gibson, S., Scammell, J., et al. (1999). Species-specific, postentry barriers to primate immunodeficiency virus infection. *J. Virol.* 73, 10020–10028. doi: 10.1038/nature02343
- Hrecka, K., Hao, C., Gierszewska, M., Swanson, S. K., Kesik-Brodacka, M., Srivastava, S., et al. (2011). Vpx relieves inhibition of HIV-1 infection of macrophages mediated by the SAMHD1 protein. *Nature* 474, 658–661. doi: 10.1038/nature10195
- Hultquist, J. F., Binka, M., Larue, R. S., Simon, V., and Harris, R. S. (2012). Vif proteins of human and simian immunodeficiency viruses require cellular CBF-beta to degrade APOBEC3 restriction factors. *J. Virol.* 86, 2874–2877. doi: 10.1128/JVI.06950-11
- Humes, D., Emery, S., Laws, E., and Overbaugh, J. (2012). A species-specific amino acid difference in the macaque CD4 receptor restricts replication by global circulating HIV-1 variants representing viruses from recent infection. *J. Virol.* 86, 12472–12483. doi: 10.1128/JVI.02176-12
- Humes, D., and Overbaugh, J. (2011). Adaptation of subtype a human immunodeficiency virus type 1 envelope to pig-tailed macaque cells. *J. Virol.* 85, 4409–4420. doi: 10.1128/JVI.02244-10
- Igarashi, T., Ami, Y., Yamamoto, H., Shibata, R., Kuwata, T., Mukai, R., et al. (1997). Protection of monkeys vaccinated with vpr- and/or nef-defective simian immunodeficiency virus strain mac/human immunodeficiency virus type 1 chimeric viruses:



- a potential candidate live-attenuated human AIDS vaccine. *J. Gen. Virol.* 78, 985–989. doi: 10.1186/1742-4690-4-66
- Igarashi, T., Iyengar, R., Byrum, R. A., Buckler-White, A., Dewar, R. L., Buckler, C. E., et al. (2007). Human immunodeficiency virus type 1 derivative with 7% simian immunodeficiency virus genetic content is able to establish infections in pig-tailed macaques. *J. Virol.* 81, 11549–11552. doi: 10.1128/JVI.00960-07
- Ito, M., Hiramatsu, H., Kobayashi, K., Suzue, K., Kawahata, M., Hioki, K., et al. (2002). NOD/SCID/gamma(c)(null) mouse: an excellent recipient mouse model for engraftment of human cells. *Blood* 100, 3175–3182. doi: 10.1182/blood-2001-12-0207
- Jager, S., Kim, D. Y., Hultquist, J. F., Shindo, K., Larue, R. S., Kwon, E., et al. (2012). Vif hijacks CBF-beta to degrade APOBEC3G and promote HIV-1 infection. *Nature* 481, 371–375. doi: 10.1038/nature10693
- Jarmuz, A., Chester, A., Bayliss, J., Gisbourne, J., Dunham, I., Scott, J., et al. (2002). An anthropoid-specific locus of orphan C to U RNA-editing enzymes on chromosome 22. *Genomics* 79, 285–296. doi: 10.1006/geno.2002.6718
- Jia, B., Serra-Moreno, R., Neidermyer, W., Rahmberg, A., Mackey, J., Fofana, I. B., et al. (2009). Species-specific activity of SIV Nef and HIV-1 Vpu in overcoming restriction by tetherin/BST2. *PLoS Pathog.* 5:e1000429. doi: 10.1371/journal.ppat.1000429
- Johnson, B. K., Stone, G. A., Godec, M. S., Asher, D. M., Gajdusek, D. C., and Gibbs, C. J. Jr. (1993). Long-term observations of human immunodeficiency virus-infected chimpanzees. *AIDS Res. Hum. Retroviruses* 9, 375–378. doi: 10.1089/aid.1993.9.375
- Kamada, K., Igarashi, T., Martin, M. A., Khamsri, B., Hatcho, K., Yamashita, T., et al. (2006). Generation of HIV-1 derivatives that productively infect macaque monkey lymphoid cells. *Proc. Natl. Acad. Sci. U.S.A.* 103, 16959–16964. doi: 10.1073/pnas.0608289103
- Kao, S., Khan, M. A., Miyagi, E., Plishka, R., Buckler-White, A., and Strebel, K. (2003). The human immunodeficiency virus type 1 Vif protein reduces intracellular expression and inhibits packaging of APOBEC3G (CEM15), a cellular inhibitor of virus infectivity. *J. Virol.* 77, 11398–11407. doi: 10.1128/JVI.77.21.11398-11407.2003
- Kaushik, R., Zhu, X., Stranska, R., Wu, Y., and Stevenson, M. (2009). A cellular restriction dictates the permissivity of non-dividing monocytes/macrophages to lentivirus and gammaretrovirus infection. *Cell Host Microbe* 6, 68–80. doi: 10.1016/j.chom.2009.05.022
- Keckesova, Z., Ylinen, L. M., and Towers, G. J. (2004). The human and African green monkey TRIM5alpha genes encode Ref1 and Lv1 retroviral restriction factor activities. *Proc. Natl. Acad. Sci. U.S.A.* 101, 10780–10785. doi: 10.1073/pnas.0402474101
- Kestler, H., Kodama, T., Ringler, D., Marthas, M., Pedersen, N., Lackner, A., et al. (1990). Induction of AIDS in rhesus monkeys by molecularly cloned simian immunodeficiency virus. *Science* 248, 1109–1112. doi: 10.1126/science.2160735
- Kestler, H. W. III, Ringler, D. J., Mori, K., Panicali, D. L., Sehgal, P. K., Daniel, M. D., et al. (1991). Importance of the nef gene for maintenance of high virus loads and for development of AIDS. *Cell* 65, 651–662. doi: 10.1016/0092-8674(91)90097-1
- Kidd, J. M., Newman, T. L., Tuzun, E., Kaul, R., and Eichler, E. E. (2007). Population stratification of a common APOBEC gene deletion polymorphism. *PLoS Genet.* 3:e63. doi: 10.1371/journal.pgen.0030063
- Kiepiela, P., Ngumbela, K., Thobakgale, C., Ramduth, D., Honeyborne, I., Moodley, E., et al. (2007). CD8+ T-cell responses to different HIV proteins have discordant associations with viral load. *Nat. Med.* 13, 46–53. doi: 10.1038/nm1520
- Kirmaier, A., Wu, F., Newman, R. M., Hall, L. R., Morgan, J. S., O'connor, S., et al. (2010). TRIM5 suppresses cross-species transmission of a primate immunodeficiency virus and selects for emergence of resistant variants in the new species. *PLoS Biol.* 8:e1000462. doi: 10.1371/journal.pbio.1000462
- Klimkait, T., Strebel, K., Hoggan, M. D., Martin, M. A., and Orenstein, J. M. (1990). The human immunodeficiency virus type 1-specific protein vpu is required for efficient virus maturation and release. *J. Virol.* 64, 621–629. doi: 10.1016/S1286-4579(03)00191-6
- Kono, K., Song, H., Shingai, Y., Shioda, T., and Nakayama, E. E. (2008). Comparison of anti-viral activity of rhesus monkey and cynomolgus monkey TRIM5alphas against human immunodeficiency virus type 2 infection. *Virology* 373, 447–456. doi: 10.1016/j.virol.2007.12.022
- Kraus, G., Werner, A., Baier, M., Binniger, D., Ferdinand, F. J., Norley, S., et al. (1989). Isolation of human immunodeficiency virus-related simian immunodeficiency viruses from African green monkeys. *Proc. Natl. Acad. Sci. U.S.A.* 86, 2892–2896. doi: 10.1073/pnas.86.8.2892
- Kulaga, H., Folks, T., Rutledge, R., Truckenmiller, M. E., Gugel, E., and Kindt, T. J. (1989). Infection of rabbits with human immunodeficiency virus 1. A small animal model for acquired immunodeficiency syndrome. *J. Exp. Med.* 169, 321–326. doi: 10.1084/jem.169.1.321
- Kupzig, S., Korolchuk, V., Rollason, R., Sugden, A., Wilde, A., and Banting, G. (2003). Bst-2/HM1.24 is a raft-associated apical membrane protein with an unusual topology. *Traffic* 4, 694–709. doi: 10.1034/j.1600-0854.2003.00129.x
- Kuroishi, A., Saito, A., Shingai, Y., Shioda, T., Nomaguchi, M., Adachi, A., et al. (2009). Modification of a loop sequence between alpha-helices 6 and 7 of virus capsid (CA) protein in a human immunodeficiency virus type 1 (HIV-1) derivative that has simian immunodeficiency virus (SIVmac239) vif and CA alpha-helices 4 and 5 loop improves replication in cynomolgus monkey cells. *Retrovirology* 6, 70. doi: 10.1186/1742-4690-6-70
- Kwak, Y. T., Ivanov, D., Guo, J., Nee, E., and Gaynor, R. B. (1999). Role of the human and murine cyclin T proteins in regulating HIV-1 tat-activation. *J. Mol. Biol.* 288, 57–69. doi: 10.1006/jmbi.1999.2664
- LaBonte, J. A., Babcock, G. J., Patel, T., and Sodroski, J. (2002). Blockade of HIV-1 infection of New World monkey cells occurs primarily at the stage of virus entry. *J. Exp. Med.* 196, 431–445. doi: 10.1084/jem.20020468
- Laguette, N., Rahm, N., Sobhian, B., Chable-Bessia, C., Munch, J., Snoeck, J., et al. (2012). Evolutionary and functional analyses of the interaction between the myeloid restriction factor SAMHD1 and the lentiviral Vpx protein. *Cell Host Microbe* 11, 205–217. doi: 10.1016/j.chom.2012.01.007
- Laguette, N., Sobhian, B., Casartelli, N., Ringard, M., Chable-Bessia, C., Segéral, E., et al. (2011). SAMHD1 is the dendritic- and myeloid-cell-specific HIV-1 restriction factor counteracted by Vpx. *Nature* 474, 654–657. doi: 10.1038/nature10117
- Lahouassa, H., Daddacha, W., Hofmann, H., Ayinde, D., Logue, E. C., Dragin, L., et al. (2012). SAMHD1 restricts the replication of human immunodeficiency virus type 1 by depleting the intracellular pool of deoxynucleoside triphosphates. *Nat. Immunol.* 13, 223–228. doi: 10.1038/ni.2236
- Le Tortorec, A., and Neil, S. J. (2009). Antagonism to and intracellular sequestration of human tetherin by the human immunodeficiency virus type 2 envelope glycoprotein. *J. Virol.* 83, 11966–11978. doi: 10.1128/JVI.01515-09
- Letvin, N. L., Daniel, M. D., Sehgal, P. K., Desrosiers, R. C., Hunt, R. D., Waldron, L. M., et al. (1985). Induction of AIDS-like disease in macaque monkeys with T-cell tropic retrovirus STLV-III. *Science* 230, 71–73. doi: 10.1126/science.2412295
- Letvin, N. L., Montefiori, D. C., Yasutomi, Y., Perry, H. C., Davies, M. E., Lekutis, C., et al. (1997). Potent, protective anti-HIV immune responses generated by bimodal HIV envelope DNA plus protein vaccination. *Proc. Natl. Acad. Sci. U.S.A.* 94, 9378–9383. doi: 10.1073/pnas.94.17.9378
- Liao, C. H., Kuang, Y. Q., Liu, H. L., Zheng, Y. T., and Su, B. (2007). A novel fusion gene, TRIM5-Cyclophilin A in the pig-tailed macaque determines its susceptibility to HIV-1 infection. *AIDS* 21(Suppl. 8), S19–S26. doi: 10.1097/01.aids.0000304692.09143.1b
- Liddament, M. T., Brown, W. L., Schumacher, A. J., and Harris, R. S. (2004). APOBEC3F properties and hypermutation preferences indicate activity against HIV-1 in vivo. *Curr. Biol.* 14, 1385–1391. doi: 10.1016/j.cub.2004.06.050
- Lim, E. S., Fregoso, O. I., Mccoy, C. O., Matsen, F. A., Malik, H. S., and Emerman, M. (2012). The ability of primate lentiviruses to degrade the monocyte restriction factor SAMHD1 preceded the birth of the viral accessory protein Vpx. *Cell Host Microbe* 11, 194–204. doi: 10.1016/j.chom.2012.01.004
- Lusso, P., Markham, P. D., Ranki, A., Earl, P., Moss, B., Dorner, F., et al. (1988). Cell-mediated immune response toward viral envelope and core antigens in gibbon apes (*Hylobates lar*) chronically infected with

- human immunodeficiency virus-1. *J. Immunol.* 141, 2467–2473. doi: 10.1126/science.1621083
- Madani, N., and Kabat, D. (1998). An endogenous inhibitor of human immunodeficiency virus in human lymphocytes is overcome by the viral Vif protein. *J. Virol.* 72, 10251–10255. doi: 10.1038/nature00939
- Maegawa, H., Nakayama, E. E., Kuroishi, A., and Shioda, T. (2008). Silencing of tripartite motif protein (TRIM) 5 $\alpha$  mediated anti-HIV-1 activity by truncated mutant of TRIM5 $\alpha$ . *J. Virol. Methods* 151, 249–256. doi: 10.1016/j.jviromet.2008.04.012
- Mariani, R., Chen, D., Schrofelbauer, B., Navarro, F., Konig, R., Bollman, B., et al. (2003). Species-specific exclusion of APOBEC3G from HIV-1 virions by Vif. *Cell* 114, 21–31. doi: 10.1016/S0092-8674(03)00515-4
- Marsden, M. D., Kovochich, M., Suree, N., Shimizu, S., Mehta, R., Cortado, R., et al. (2012). HIV latency in the humanized BLT mouse. *J. Virol.* 86, 339–347. doi: 10.1128/JVI.06366-11
- Matsuda, K., Inaba, K., Fukazawa, Y., Matsuyama, M., Ibuki, K., Horiike, M., et al. (2010). In vivo analysis of a new R5 tropic SHIV generated from the highly pathogenic SHIV-KS661, a derivative of SHIV-89.6. *Virology* 399, 134–143. doi: 10.1016/j.virol.2010.01.008
- McCune, J. M. (2001). The dynamics of CD4+ T-cell depletion in HIV disease. *Nature* 410, 974–979. doi: 10.1038/35073648
- McNatt, M. W., Zang, T., Hatzioannou, T., Bartlett, M., Fofana, I. B., Johnson, W. E., et al. (2009). Species-specific activity of HIV-1 Vpu and positive selection of tetherin transmembrane domain variants. *PLoS Pathog.* 5:e1000300. doi: 10.1371/journal.ppat.1000300
- Mehle, A., Strack, B., Ancuta, P., Zhang, C., McPike, M., and Gabuzda, D. (2004). Vif overcomes the innate antiviral activity of APOBEC3G by promoting its degradation in the ubiquitin-proteasome pathway. *J. Biol. Chem.* 279, 7792–7798. doi: 10.1074/jbc.M313093200
- Melkus, M. W., Estes, J. D., Padgett-Thomas, A., Gatlin, J., Denton, P. W., Othieno, F. A., et al. (2006). Humanized mice mount specific adaptive and innate immune responses to EBV and TSST-1. *Nat. Med.* 12, 1316–1322. doi: 10.1038/nm1431
- Mercenne, G., Bernacchi, S., Richer, D., Bec, G., Henriot, S., Pailart, J. C., et al. (2010). HIV-1 Vif binds to APOBEC3G mRNA and inhibits its translation. *Nucleic Acids Res.* 38, 633–646. doi: 10.1093/nar/gkp1009
- Mische, C. C., Javanbakht, H., Song, B., Diaz-Griffero, F., Stremlau, M., Strack, B., et al. (2005). Retroviral restriction factor TRIM5 $\alpha$  is a trimer. *J. Virol.* 79, 14446–14450. doi: 10.1128/JVI.79.22.14446-14450.2005
- Miyagi, E., Brown, C. R., Opi, S., Khan, M., Goila-Gaur, R., Kao, S., et al. (2010). Stably expressed APOBEC3F has negligible antiviral activity. *J. Virol.* 84, 11067–11075. doi: 10.1128/JVI.01249-10
- Moldt, B., Rakasz, E. G., Schultz, N., Chan-Hui, P. Y., Swiderek, K., Weisgrau, K. L., et al. (2012). Highly potent HIV-specific antibody neutralization in vitro translates into effective protection against mucosal SHIV challenge in vivo. *Proc. Natl. Acad. Sci. U.S.A.* 109, 18921–18925. doi: 10.1073/pnas.1214785109
- Mosier, D. E., Gulizia, R. J., Baird, S. M., and Wilson, D. B. (1988). Transfer of a functional human immune system to mice with severe combined immunodeficiency. *Nature* 335, 256–259. doi: 10.1038/335256a0
- Munk, C., Brandt, S. M., Lucero, G., and Landau, N. R. (2002). A dominant block to HIV-1 replication at reverse transcription in simian cells. *Proc. Natl. Acad. Sci. U.S.A.* 99, 13843–13848. doi: 10.1073/pnas.212400099
- Naidu, Y. M., Kestler, H. W. III., Li, Y., Butler, C. V., Silva, D. P., Schmidt, D. K., et al. (1988). Characterization of infectious molecular clones of simian immunodeficiency virus (SIVmac) and human immunodeficiency virus type 2: persistent infection of rhesus monkeys with molecularly cloned SIVmac. *J. Virol.* 62, 4691–4696. doi: 10.1126/science.2160735
- Nakayama, E. E., and Shioda, T. (2010). Anti-retroviral activity of TRIM5 $\alpha$ . *Rev. Med. Virol.* 20, 77–92. doi: 10.1002/rmv.637
- Nara, P. L., Robey, W. G., Arthur, L. O., Asher, D. M., Wolff, A. V., Gibbs, C. J. Jr., et al. (1987). Persistent infection of chimpanzees with human immunodeficiency virus: serological responses and properties of reisolated viruses. *J. Virol.* 61, 3173–3180. doi: 10.1007/978-1-4684-5976-0\_4
- Neil, S. J., Sandrin, V., Sundquist, W. I., and Bieniasz, P. D. (2007). An interferon- $\alpha$ -induced tethering mechanism inhibits HIV-1 and Ebola virus particle release but is counteracted by the HIV-1 Vpu protein. *Cell Host Microbe* 2, 193–203. doi: 10.1016/j.chom.2007.08.001
- Neil, S. J., Zang, T., and Bieniasz, P. D. (2008). Tetherin inhibits retrovirus release and is antagonized by HIV-1 Vpu. *Nature* 451, 425–430. doi: 10.1038/nature06553
- Newman, E. N., Holmes, R. K., Craig, H. M., Klein, K. C., Lingappa, J. R., Malim, M. H., et al. (2005). Antiviral function of APOBEC3G can be dissociated from cytidine deaminase activity. *Curr. Biol.* 15, 166–170. doi: 10.1016/j.cub.2004.12.068
- Newman, R. M., Hall, L., Connole, M., Chen, G. L., Sato, S., Yuste, E., et al. (2006). Balancing selection and the evolution of functional polymorphism in Old World monkey TRIM5 $\alpha$ . *Proc. Natl. Acad. Sci. U.S.A.* 103, 19134–19139. doi: 10.1073/pnas.0605838103
- Newman, R. M., Hall, L., Kirmaier, A., Pozzi, L. A., Pery, E., Farzan, M., et al. (2008). Evolution of a TRIM5-CypA splice isoform in old world monkeys. *PLoS Pathog.* 4:e1000003. doi: 10.1371/journal.ppat.1000003
- Nishimura, Y., Igarashi, T., Donau, O. K., Buckler-White, A., Buckler, C., Lafont, B. A., et al. (2004). Highly pathogenic SHIVs and SIVs target different CD4+ T cell subsets in rhesus monkeys, explaining their divergent clinical courses. *Proc. Natl. Acad. Sci. U.S.A.* 101, 12324–12329. doi: 10.1073/pnas.0404620101
- Nishimura, Y., Igarashi, T., Haigwood, N., Sadjadpour, R., Plishka, R. J., Buckler-White, A., et al. (2002). Determination of a statistically valid neutralization titer in plasma that confers protection against simian-human immunodeficiency virus challenge following passive transfer of high-titered neutralizing antibodies. *J. Virol.* 76, 2123–2130. doi: 10.1128/jvi.76.5.2123-2130.2002
- Nomaguchi, M., Doi, N., Fujiwara, S., Saito, A., Akari, H., Nakayama, E. E., et al. (2013a). Systemic biological analysis of the mutations in two distinct HIV-1mt genomes occurred during replication in macaque cells. *Microbes Infect.* 15, 319–328. doi: 10.1016/j.micinf.2013.01.005
- Nomaguchi, M., Yokoyama, M., Kono, K., Nakayama, E. E., Shioda, T., Saito, A., et al. (2013b). Gag-CA Q110D mutation elicits TRIM5-independent enhancement of HIV-1mt replication in macaque cells. *Microbes Infect.* 15, 56–65. doi: 10.1016/j.micinf.2012.10.013
- North, T. W., Van Rompay, K. K., Higgins, J., Matthews, T. B., Wadford, D. A., Pedersen, N. C., et al. (2005). Suppression of virus load by highly active antiretroviral therapy in rhesus macaques infected with a recombinant simian immunodeficiency virus containing reverse transcriptase from human immunodeficiency virus type 1. *J. Virol.* 79, 7349–7354. doi: 10.1128/JVI.79.12.7349-7354.2005
- Novembre, F. J., Saucier, M., Anderson, D. C., Klumpp, S. A., O'Neil, S. P., Brown, C. R. III., et al. (1997). Development of AIDS in a chimpanzee infected with human immunodeficiency virus type 1. *J. Virol.* 71, 4086–4091. doi: 10.1089/aid.2007.0182
- Ohta, Y., Masuda, T., Tsujimoto, H., Ishikawa, K., Kodama, T., Morikawa, S., et al. (1988). Isolation of simian immunodeficiency virus from African green monkeys and seroepidemiologic survey of the virus in various non-human primates. *Int. J. Cancer* 41, 115–122. doi: 10.1002/ijc.2910410121
- O'Neil, S. P., Novembre, F. J., Hill, A. B., Suwyn, C., Hart, C. E., Evans-Strickfaden, T., et al. (2000). Progressive infection in a subset of HIV-1-positive chimpanzees. *J. Infect. Dis.* 182, 1051–1062. doi: 10.1086/315823
- Perez-Caballero, D., Hatzioannou, T., Yang, A., Cowan, S., and Bieniasz, P. D. (2005). Human tripartite motif 5 $\alpha$  domains responsible for retrovirus restriction activity and specificity. *J. Virol.* 79, 8969–8978. doi: 10.1128/JVI.79.14.8969-8978.2005
- Perron, M. J., Stremlau, M., Song, B., Ulm, W., Mulligan, R. C., and Sodroski, J. (2004). TRIM5 $\alpha$  mediates the postentry block to N-tropic murine leukemia viruses in human cells. *Proc. Natl. Acad. Sci. U.S.A.* 101, 11827–11832. doi: 10.1073/pnas.0403364101
- Pertel, T., Hausmann, S., Morger, D., Zuger, S., Guerra, J., Lascano, J., et al. (2011). TRIM5 is an innate immune sensor for the retrovirus capsid lattice. *Nature* 472, 361–365. doi: 10.1038/nature09976
- Powell, R. D., Holland, P. J., Hollis, T., and Perrino, F. W. (2011). Aicardi-Goutieres syndrome gene and HIV-1 restriction factor SAMHD1 is a dGTP-regulated deoxynucleotide triphosphohydrolase. *J. Biol. Chem.* 286, 43596–43600. doi: 10.1074/jbc.C111.317628
- Prince, A. M., Horowitz, B., Baker, L., Shulman, R. W., Ralph, H.,

- Valinsky, J., et al. (1988). Failure of a human immunodeficiency virus (HIV) immune globulin to protect chimpanzees against experimental challenge with HIV. *Proc. Natl. Acad. Sci. U.S.A.* 85, 6944–6948. doi: 10.1073/pnas.85.18.6944
- Reimann, K. A., Li, J. T., Veazey, R., Halloran, M., Park, I. W., Karlsson, G. B., et al. (1996). A chimeric simian/human immunodeficiency virus expressing a primary patient human immunodeficiency virus type 1 isolate env causes an AIDS-like disease after in vivo passage in rhesus monkeys. *J. Virol.* 70, 6922–6928. doi: 10.1086/512243
- Reina, S., Markham, P., Gard, E., Rayed, F., Reitz, M., Gallo, R. C., et al. (1993). Serological, biological, and molecular characterization of New Zealand white rabbits infected by intraperitoneal inoculation with cell-free human immunodeficiency virus. *J. Virol.* 67, 5367–5374. doi: 10.1089/aid.1994.10.285
- Reymond, A., Meroni, G., Fantozzi, A., Merla, G., Cairo, S., Luzi, L., et al. (2001). The tripartite motif family identifies cell compartments. *EMBO J.* 20, 2140–2151. doi: 10.1093/emboj/20.9.2140
- Reynolds, M. R., Sacha, J. B., Weiler, A. M., Borhardt, G. J., Glidden, C. E., Sheppard, N. C., et al. (2011). The TRIM5[alpha] genotype of rhesus macaques affects acquisition of simian immunodeficiency virus SIVsmE660 infection after repeated limiting-dose intrarectal challenge. *J. Virol.* 85, 9637–9640. doi: 10.1128/JVI.05074-11
- Rice, G. L., Bond, J., Asipu, A., Brunette, R. L., Manfield, I. W., Carr, I. M., et al. (2009). Mutations involved in Aicardi-Goutieres syndrome implicate SAMHD1 as regulator of the innate immune response. *Nat. Genet.* 41, 829–832. doi: 10.1038/ng.373
- Saito, A., Kawamoto, Y., Higashino, A., Yoshida, T., Ikoma, T., Suzuki, Y., et al. (2012a). Allele frequency of antiretroviral host factor TRIM-Cyp in wild-caught cynomolgus macaques (*Macaca fascicularis*). *Front. Microbiol.* 3:314. doi: 10.3389/fmicb.2012.00314
- Saito, A., Kono, K., Nomaguchi, M., Yasutomi, Y., Adachi, A., Shioda, T., et al. (2012b). Geographical, genetic and functional diversity of antiretroviral host factor TRIMCyp in cynomolgus macaque (*Macaca fascicularis*). *J. Gen. Virol.* 93, 594–602. doi: 10.1099/vir.0.038075-0
- Saito, A., Nomaguchi, M., Iijima, S., Kuroishi, A., Yoshida, T., Lee, Y. J., et al. (2011). Improved capacity of a monkey-tropic HIV-1 derivative to replicate in cynomolgus monkeys with minimal modifications. *Microbes Infect.* 13, 58–64. doi: 10.1016/j.micinf.2010.10.001
- Saito, A., Nomaguchi, M., Kono, K., Iwatani, Y., Yokoyama, M., Yasutomi, Y., et al. (2013). TRIM5 genotypes in cynomolgus monkeys primarily influence inter-individual diversity in susceptibility to monkey-tropic human immunodeficiency virus type 1. *J. Gen. Virol.* 94, 1318–1324. doi: 10.1099/vir.0.050252-0
- Sakai, H., Shibata, R., Sakuragi, J., Sakuragi, S., Kawamura, M., and Adachi, A. (1993). Cell-dependent requirement of human immunodeficiency virus type 1 Vif protein for maturation of virus particles. *J. Virol.* 67, 1663–1666. doi: 10.1128/JVI.67.16.7252-7265.2001
- Sakai, H., Tokunaga, K., Kawamura, M., and Adachi, A. (1995). Function of human immunodeficiency virus type 1 Vpu protein in various cell types. *J. Gen. Virol.* 76(Pt 11), 2717–2722. doi: 10.1099/0022-1317-76-11-2717
- Sakuma, R., Mael, A. A., and Ikeda, Y. (2007). Alpha interferon enhances TRIM5alpha-mediated antiviral activities in human and rhesus monkey cells. *J. Virol.* 81, 10201–10206. doi: 10.1128/JVI.00419-07
- Sato, K., Misawa, N., Fukuhara, M., Iwami, S., An, D. S., Ito, M., et al. (2012). Vpu augments the initial burst phase of HIV-1 propagation and downregulates BST2 and CD4 in humanized mice. *J. Virol.* 86, 5000–5013. doi: 10.1128/JVI.07062-11
- Sauter, D., Schindler, M., Specht, A., Landford, W. N., Munch, J., Kim, K. A., et al. (2009). Tetherin-driven adaptation of Vpu and Nef function and the evolution of pandemic and nonpandemic HIV-1 strains. *Cell Host Microbe* 6, 409–421. doi: 10.1016/j.chom.2009.10.004
- Sayah, D. M., Sokolskaja, E., Berthou, L., and Luban, J. (2004). Cyclophilin A retrotransposition into TRIM5 explains owl monkey resistance to HIV-1. *Nature* 430, 569–573. doi: 10.1038/nature02777
- Schmitt, K., Guo, K., Algaier, M., Ruiz, A., Cheng, F., Qiu, J., et al. (2011). Differential virus restriction patterns of rhesus macaque and human APOBEC3A: implications for lentivirus evolution. *Virology* 419, 24–42. doi: 10.1016/j.virol.2011.07.017
- Schrofelbauer, B., Senger, T., Manning, G., and Landau, N. R. (2006). Mutational alteration of human immunodeficiency virus type 1 Vif allows for functional interaction with non-human primate APOBEC3G. *J. Virol.* 80, 5984–5991. doi: 10.1128/JVI.00388-06
- Schuitmaker, H., Koot, M., Kootstra, N. A., Dercksen, M. W., De Goede, R. E., Van Steenwijk, R. P., et al. (1992). Biological phenotype of human immunodeficiency virus type 1 clones at different stages of infection: progression of disease is associated with a shift from monocytopathic to T-cell-tropic virus population. *J. Virol.* 66, 1354–1360. doi: 10.1038/nm0398-346
- Serra-Moreno, R., Jia, B., Breed, M., Alvarez, X., and Evans, D. T. (2011). Compensatory changes in the cytoplasmic tail of gp41 confer resistance to tetherin/BST-2 in a pathogenic nef-deleted SIV. *Cell Host Microbe* 9, 46–57. doi: 10.1016/j.chom.2010.12.005
- Sheehy, A. M., Gaddis, N. C., Choi, J. D., and Malim, M. H. (2002). Isolation of a human gene that inhibits HIV-1 infection and is suppressed by the viral Vif protein. *Nature* 418, 646–650. doi: 10.1038/nature00939
- Shibata, R., and Adachi, A. (1992). SIV/HIV recombinants and their use in studying biological properties. *AIDS Res. Hum. Retroviruses* 8, 403–409. doi: 10.1089/aid.1992.8.403
- Shibata, R., Igarashi, T., Haigwood, N., Buckler-White, A., Ogert, R., Ross, W., et al. (1999). Neutralizing antibody directed against the HIV-1 envelope glycoprotein can completely block HIV-1/SIV chimeric virus infections of macaque monkeys. *Nat. Med.* 5, 204–210. doi: 10.1038/5568
- Shibata, R., Kawamura, M., Sakai, H., Hayami, M., Ishimoto, A., and Adachi, A. (1991). Generation of a chimeric human and simian immunodeficiency virus infectious to monkey peripheral blood mononuclear cells. *J. Virol.* 65, 3514–3520. doi: 10.1128/JVI.65.12.3514-3520.1991
- Shibata, R., Sakai, H., Kawamura, M., Tokunaga, K., and Adachi, A. (1995). Early replication block of human immunodeficiency virus type 1 in monkey cells. *J. Gen. Virol.* 76, 2723–2730. doi: 10.1099/0022-1317-76-11-2723
- Shingai, M., Yoshida, T., Martin, M. A., and Strelbel, K. (2011). Some human immunodeficiency virus type 1 Vpu proteins are able to antagonize macaque BST-2 in vitro and in vivo: Vpu-negative simian-human immunodeficiency viruses are attenuated in vivo. *J. Virol.* 85, 9708–9715. doi: 10.1128/JVI.00626-11
- Shultz, L. D., Lyons, B. L., Burzenski, L. M., Gott, B., Chen, X., Chaleff, S., et al. (2005). Human lymphoid and myeloid cell development in NOD/LtSz-scid IL2R gamma null mice engrafted with mobilized human hemopoietic stem cells. *J. Immunol.* 174, 6477–6489. doi: 10.3410/f.1003045.323931
- Simon, J. H., Gaddis, N. C., Fouchier, R. A., and Malim, M. H. (1998). Evidence for a newly discovered cellular anti-HIV-1 phenotype. *Nat. Med.* 4, 1397–1400. doi: 10.1038/3987
- Speck, R. E., Penn, M. L., Wimmer, J., Esser, U., Hague, B. F., Kindt, T. J., et al. (1998). Rabbit cells expressing human CD4 and human CCR5 are highly permissive for human immunodeficiency virus type 1 infection. *J. Virol.* 72, 5728–5734. doi: 10.1186/1742-4690-4-53
- Stremlau, M., Owens, C. M., Perron, M. J., Kiessling, M., Autissier, P., and Sodroski, J. (2004). The cytoplasmic body component TRIM5alpha restricts HIV-1 infection in Old World monkeys. *Nature* 427, 848–853. doi: 10.1038/nature02343
- Tanaka, Y., Marusawa, H., Seno, H., Matsumoto, Y., Ueda, Y., Kodama, Y., et al. (2006). Anti-viral protein APOBEC3G is induced by interferon-alpha stimulation in human hepatocytes. *Biochem. Biophys. Res. Commun.* 341, 314–319. doi: 10.1016/j.bbrc.2005.12.192
- Tervo, H. M., and Keppler, O. T. (2010). High natural permissivity of primary rabbit cells for HIV-1, with a virion infectivity defect in macrophages as the final replication barrier. *J. Virol.* 84, 12300–12314. doi: 10.1128/JVI.01607-10
- Thippeshappa, R., Polacino, P., Yu Kimata, M. T., Siwak, E. B., Anderson, D., Wang, W., et al. (2011). Vif substitution enables persistent infection of pig-tailed macaques by human immunodeficiency virus type 1. *J. Virol.* 85, 3767–3779. doi: 10.1128/JVI.02438-10
- Traggiai, E., Chicha, L., Mazzucchi, L., Bronz, L., Piffaretti, J. C., Lanzavecchia, A., et al. (2004). Development of a human adaptive immune system in cord blood cell-transplanted

- mice. *Science* 304, 104–107. doi: 10.1126/science.1093933
- Uberla, K., Stahl-Hennig, C., Bottiger, D., Matz-Rensing, K., Kaup, F. J., Li, J., et al. (1995). Animal model for the therapy of acquired immunodeficiency syndrome with reverse transcriptase inhibitors. *Proc. Natl. Acad. Sci. U.S.A.* 92, 8210–8214. doi: 10.1073/pnas.92.18.8210
- Van Damme, N., Goff, D., Katsura, C., Jorgenson, R. L., Mitchell, R., Johnson, M. C., et al. (2008). The interferon-induced protein BST-2 restricts HIV-1 release and is downregulated from the cell surface by the viral Vpu protein. *Cell Host Microbe* 3, 245–252. doi: 10.1016/j.chom.2008.03.001
- Virgen, C. A., and Hatzioannou, T. (2007). Antiretroviral activity and Vif sensitivity of rhesus macaque APOBEC3 proteins. *J. Virol.* 81, 13932–13937. doi: 10.1128/JVI.01760-07
- Virgen, C. A., Kratovac, Z., Bieniasz, P. D., and Hatzioannou, T. (2008). Independent genesis of chimeric TRIM5-cyclophilin proteins in two primate species. *Proc. Natl. Acad. Sci. U.S.A.* 105, 3563–3568. doi: 10.1073/pnas.0709258105
- Wiegand, H. L., Doehle, B. P., Bogerd, H. P., and Cullen, B. R. (2004). A second human antiretroviral factor, APOBEC3F, is suppressed by the HIV-1 and HIV-2 Vif proteins. *EMBO J.* 23, 2451–2458. doi: 10.1038/sj.emboj.7600246
- Wilson, S. J., Webb, B. L., Ylinen, L. M., Verschoor, E., Heeney, J. L., and Towers, G. J. (2008). Independent evolution of an antiviral TRIM-Cyp in rhesus macaques. *Proc. Natl. Acad. Sci. U.S.A.* 105, 3557–3562. doi: 10.1073/pnas.0709003105
- Wyand, M. S., Manson, K., Montefiori, D. C., Lifson, J. D., Johnson, R. P., and Desrosiers, R. C. (1999). Protection by live, attenuated simian immunodeficiency virus against heterologous challenge. *J. Virol.* 73, 8356–8363. doi: 10.1371/journal.pone.0023092
- Wyand, M. S., Manson, K. H., Garcia-Moll, M., Montefiori, D., and Desrosiers, R. C. (1996). Vaccine protection by a triple deletion mutant of simian immunodeficiency virus. *J. Virol.* 70, 3724–3733. doi: 10.1038/nm0197-32
- Yap, M. W., Nisole, S., Lynch, C., and Stoye, J. P. (2004). Trim5alpha protein restricts both HIV-1 and murine leukemia virus. *Proc. Nat. Acad. Sci. U.S.A.* 101, 10786–10791. doi: 10.1073/pnas.0402876101
- Ylinen, L. M., Price, A. J., Rasaiyaah, J., Hue, S., Rose, N. J., Marzetta, F., et al. (2010). Conformational adaptation of Asian macaque TRIMCyp directs lineage specific antiviral activity. *PLoS Pathog.* 6:e1001062. doi: 10.1371/journal.ppat.1001062
- Zennou, V., and Bieniasz, P. D. (2006). Comparative analysis of the antiretroviral activity of APOBEC3G and APOBEC3F from primates. *Virology* 349, 31–40. doi: 10.1016/j.virol.2005.12.035
- Zhang, F., Wilson, S. J., Landford, W. C., Virgen, B., Gregory, D., Johnson, M. C., et al. (2009). Nef proteins from simian immunodeficiency viruses are tetherin antagonists. *Cell Host Microbe* 6, 54–67. doi: 10.1016/j.chom.2009.05.008
- Zhao, C., Collins, M. N., Hsiang, T. Y., and Krug, R. M. (2013). Interferon-induced ISG15 pathway: an ongoing virus-host battle. *Trends Microbiol.* 21, 181–186. doi: 10.1016/j.tim.2013.01.005
- Zheng, Y. H., Irwin, D., Kurosu, T., Tokunaga, K., Sata, T., and Peterlin, B. M. (2004). Human APOBEC3F is another host factor that blocks human immunodeficiency virus type 1 replication. *J. Virol.* 78, 6073–6076. doi: 10.1128/JVI.78.11.6073-6076.2004

**Conflict of Interest Statement:** The authors declare that the research was conducted in the absence of any commercial or financial relationships that could be construed as a potential conflict of interest.

Received: 26 April 2013; paper pending published: 14 May 2013; accepted: 20 June 2013; published online: 09 July 2013.  
Citation: Saito A and Akari H (2013) Macaque-tropic human immunodeficiency virus type 1: breaking out of the host restriction factors. *Front. Microbiol.* 4:187. doi: 10.3389/fmicb.2013.00187  
This article was submitted to *Frontiers in Microbiology*, a specialty of *Frontiers in Microbiology*.  
Copyright © 2013 Saito and Akari. This is an open-access article distributed under the terms of the Creative Commons Attribution License, which permits use, distribution and reproduction in other forums, provided the original authors and source are credited and subject to any copyright notices concerning any third-party graphics etc.