

<1.2 µg/kg per week, EVR rates decreased in a dose-dependent manner.¹²⁸ The relapse rate following viral clearance was 13% in the group administered ribavirin ≥10 mg/kg per day (and only 3% for ≥12 mg/kg per day), and higher at 50% in those administered <6 mg/kg per day, with a dose-dependent relationship between ribavirin dose and the relapse rate.¹²⁹

Recommendations:

- 1 In patients administered Peg-IFN + ribavirin combination therapy, a correlation is seen between the Peg-IFN dose and the EVR rate. With Peg-IFN-α-2a, ≥80% adherence is desirable, and with Peg-IFN-α-2b, a starting dose ≥1.2 µg/kg per week.
- 2 A correlation is seen between the ribavirin dose and the relapse rate. Administration of ≥80% of the scheduled dose, or completion of treatment at a maintenance dose ≥10 mg/kg per day (if possible, ≥12 mg/kg per day), will decrease the risk of relapse following the end of therapy.

Telaprevir + Peg-IFN + ribavirin combination therapy

In a Japanese clinical trial, the SVR rate for telaprevir + Peg-IFN + ribavirin triple therapy in IFN-naïve patients was 73% (92/126).⁹ Compared to the above-mentioned Peg-IFN + ribavirin combination therapy, higher SVR rates are achieved with telaprevir + Peg-IFN + ribavirin triple therapy with a short treatment duration of 24 weeks, indicating superior therapeutic efficacy. Accordingly, if it is tolerated, telaprevir + Peg-IFN + ribavirin triple therapy is the treatment of first choice for IFN-naïve patients.

An investigation of factors affecting the therapeutic efficacy of telaprevir + Peg-IFN-α-2b + ribavirin triple therapy found that individualization of treatment according to IL-28B SNP and amino acid 70 substitutions in the HCV core region is extremely useful.¹³⁰ A high SVR rate of 83.8% was achieved in patients with the IL-28B (rs8099917 SNP) TT major allele, but only 27.6% with the TG or GG minor alleles. Furthermore, the SVR rate was 50% in patients with IL-28B SNP minor alleles and wild-type amino acid 70 in the HCV core region, but only 11.8% in those with substitutions at amino acid 70. Protease inhibitor-resistant mutations are seen in more than half of patients who fail to achieve SVR with telaprevir + Peg-IFN-α-2b + ribavirin triple therapy. Cross-resistance to protease inhibitors has also been identified, and the AASLD guidelines recommend against retreatment with protease inhibitors.¹⁰¹

From the above, for patients scheduled for telaprevir + Peg-IFN-α-2b + ribavirin triple therapy,

although not approved by national medical insurance, testing for IL-28B SNP and amino acid substitutions in the HCV core region should be performed to enable selection of the optimum therapy regimen based on accurate predictions of therapeutic efficacy. As a general rule, telaprevir + Peg-IFN-α-2b + ribavirin triple therapy is not recommended in patients with IL-28B SNP minor alleles (TG or GG) and amino acid 70 substitutions in the HCV core region.

When telaprevir + Peg-IFN + ribavirin triple therapy fails to reduce the HCV RNA to ≤3 log copy/mL at treatment week 4, HCV RNA fails to become undetectable by treatment week 12 or HCV RNA rises ≥2 log copy/mL during therapy, there may have been pre-existing resistant virus present.¹³¹ In these cases, there is a risk that continued treatment may confer resistance to second generation protease inhibitors, so the treatment should be discontinued.

There have been several clinical trials of telaprevir + Peg-IFN + ribavirin triple therapy (ADVANCE study,⁹⁹ ILLUMINATE study¹³²). The AASLD guidelines, based on their results indicating eRVR is a good predictor of therapeutic efficacy, recommend response-guided therapy, with 24 weeks' triple therapy in patients who achieve eRVR, and a further 24 weeks of Peg-IFN + ribavirin dual therapy, to a total of 48 weeks in patients who do not achieve eRVR. They also recommend an extended period of 48 weeks' telaprevir + Peg-IFN + ribavirin triple therapy, i.e. for 12 weeks of telaprevir + Peg-IFN + ribavirin triple therapy followed by an additional 36 weeks of Peg-IFN + ribavirin dual therapy for null responders to Peg-IFN + ribavirin dual therapy (HCV RNA decrease, <2 log).¹⁰ However, in Japan, 48 weeks' extended telaprevir + Peg-IFN + ribavirin triple therapy is not approved by national medical insurance.

Recommendations:

- 1 If it is tolerated, telaprevir + Peg-IFN + ribavirin triple therapy is the treatment of first choice at present for IFN-naïve patients.
- 2 Individualization of telaprevir + Peg-IFN-α-2b + ribavirin triple therapy according to IL-28B SNPs and amino acid 70 substitutions in the HCV core region is extremely useful. Although not approved by national medical insurance in Japan, both tests should be performed to enable selection of the optimum therapy regimen. As a general rule, telaprevir + Peg-IFN-α-2b + ribavirin triple therapy is not recommended in patients with IL-28B minor alleles and amino acid 70 substitutions in the HCV core region.

- 3 Further studies are required of the therapeutic efficacy and adverse reactions with telaprevir + Peg-IFN- α -2b + ribavirin triple therapy in elderly patients and those with advanced fibrosis. At present, telaprevir + Peg-IFN- α -2b + ribavirin triple therapy is not approved by national medical insurance for patients with liver cirrhosis in Japan.
- 4 When telaprevir + Peg-IFN + ribavirin triple therapy fails to reduce the HCV RNA to ≤ 3 log copy/mL at treatment week 4, HCV RNA fails to become undetectable by treatment week 12, or HCV RNA rises ≥ 2 log copy/mL during therapy, treatment should be discontinued.

IFN- β + ribavirin combination therapy

In a Japanese clinical trial of IFN- β + ribavirin combination therapy in patients with HCV genotype 1 and a high viral load, the SVR rate of 24 weeks' treatment was 19%, showing non-inferiority to IFN- α + ribavirin therapy, with a relatively low 4% rate of discontinuation due to adverse reactions. Furthermore, a 48-week treatment period yielded a 22% SVR rate, with 17% withdrawals, in the patient group with "refractory hepatitis C and a history of depression, depressive symptoms or suspected depression", intolerant of Peg-IFN- α formulations.¹³³ In this way, the efficacy and safety of IFN- β + ribavirin combination therapy have been established in patients with a history of depression, depressive symptoms or suspected depression, and should be considered in this group.

Recommendation:

Interferon- β + ribavirin combination therapy should be considered in patients at risk of depression-related adverse reactions.

Selection of antiviral therapy for treatment-naïve patients: Genotype 1 with high viral load (Figs 1,2)

Elderly patients. In this patient group at high risk of hepatocellular carcinogenesis, the best possible antiviral therapy should be promptly commenced. However, the possibility of adverse reactions, and the possibility that viral eradication may not be achieved, should be thoroughly explained to the patient in advance. SVR rates for 48 weeks' Peg-IFN + ribavirin combination therapy are 40–50% in patients aged 60–64 years, similar to those aged <60, but the SVR rate falls to approximately 30% in those aged ≥ 65 . However, even among elderly patients, the SVR rate in early responders (HCV RNA undetectable by treatment week 12) is approximately 80%, the same as in non-elderly patients.¹⁰⁵ Furthermore, in late responders (HCV RNA undetectable between treatment weeks 13 and 24), SVR rates of approximately 50% are achieved with prolonged therapy (72 weeks) in elderly patients.¹¹⁸ In this way, individual elderly patients show different treatment responses, and SVR rates improve with prolonged treatment durations, so it is important to conduct antiviral therapy with the above discontinuation criteria in mind.

The general rule in practice is to administer Peg-IFN + ribavirin combination therapy. Telaprevir + Peg-IFN + ribavirin triple therapy should be considered as an option if there is no anemia (Hb ≥ 14 g/dL) and treatment is likely to be tolerated, although the safety of this regimen has not been confirmed in patients aged ≥ 65 years. If IL-28B SNP minor alleles and amino acid 70 substitutions in the HCV core region have been detected, however, therapeutic efficacy can be expected to be extremely poor with all available therapies, so

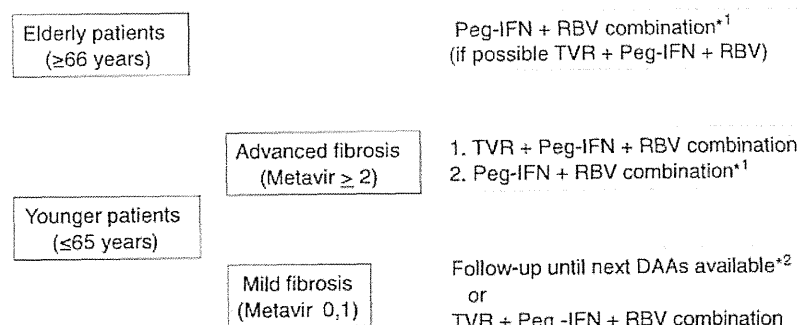
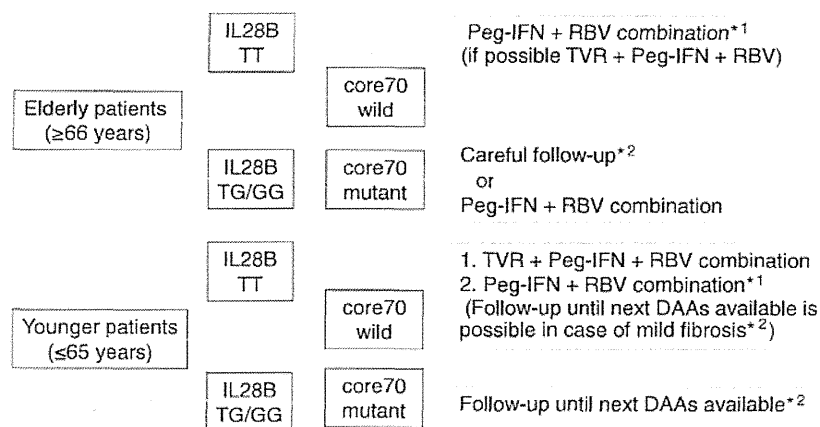


Figure 1 Patients with chronic hepatitis C genotype 1, high viral load; Principles of treatment in treatment-naïve cases, when IL28B SNP/HCV core amino acid 70 substitution cannot be tested.

*1: Also consider IFN- β + RBV combination therapy if depression present

*2: In cases of abnormal ALT levels, supportive therapy or low-dose Peg-IFN/IFN therapy



*1: Also consider IFN-β + RBV combination therapy if depression present

*2: In cases of abnormal ALT levels, supportive therapy or low-dose Peg-IFN/IFN therapy

Figure 2 Patients with chronic hepatitis C genotype 1, high viral load; Principles of treatment in treatment-naïve cases, when IL28B SNP/HCV core amino acid 70 substitution can be tested.

careful follow-up, with no antiviral therapy, is an option. If therapy aimed at SVR is not administered, but ALT levels are abnormal, then the above-mentioned low-dose long-term Peg-IFN or IFN therapy or supportive therapy (e.g. SNMC, UDCA) may be administered. In anemic patients (Hb <12 g/dL), Peg-IFN (IFN) therapy without ribavirin may be considered.

Recommendations:

- 1 Elderly patients are at high risk of developing HCC, and should commence antiviral therapy promptly.
- 2 Antiviral therapy for elderly patients should be selected with due consideration of the anticipated therapeutic efficacy and adverse reactions, and the possibility that viral eradication may not be successful should be fully explained to the patient in advance.
- 3 As a general rule, Peg-IFN + ribavirin combination therapy is the first-line treatment for treatment-naïve elderly patients.
- 4 If IL-28B minor alleles and amino acid 70 substitutions in the HCV core region have been detected in an elderly patient, careful follow-up is an option. If ALT levels are abnormal, low-dose long-term Peg-IFN/IFN therapy or supportive therapy may be administered.

Non-elderly patients. In non-elderly patients with a relatively low risk of HCC, testing for IL-28B SNP and amino acid substitutions in the HCV core region and ISDR should be performed if possible. Treatment with the highest possible expected therapeutic efficacy, including next generation DAAs, should be considered.

More aggressive therapy is required in patients with advanced fibrosis.

In practice, the treatment of first choice is telaprevir + Peg-IFN + ribavirin triple therapy. When tolerability is a concern, and in patients with advanced fibrosis, Peg-IFN + ribavirin combination therapy should be considered. Also, consider IFN-β + ribavirin combination therapy in patients with depressive symptoms. For some patients with mild fibrosis and a low risk of HCC, follow-up until new therapies with higher anticipated efficacies become available is an option. Testing of IL28B SNPs and amino acid 70 substitutions in the HCV core region is useful when it is difficult to decide whether antiviral therapy should be commenced in an individual patient. If IL-28B minor alleles and amino acid 70 substitutions in the HCV core region have been detected, as a general rule, aggressive antiviral therapy is not recommended.

Recommendations:

- 1 In non-elderly patients with a relatively low risk of HCC, then testing for IL-28B SNP, amino acid substitutions in the HCV core region and ISDR should be performed if possible. Treatment with the highest possible expected therapeutic efficacy, including next generation DAAs, should be considered. More aggressive therapy is required in patients with advanced fibrosis, as with elderly patients, but follow-up until new therapies with higher anticipated efficacies become available is an option in non-elderly patients with mild fibrosis.

- 2 The treatment of first choice in non-elderly patients is telaprevir + Peg-IFN + ribavirin triple therapy. When tolerability is a concern and in patients with advanced fibrosis, Peg-IFN + ribavirin combination therapy should be considered.
- 3 If IL-28B minor alleles and amino acid 70 substitutions in the HCV core region have been detected, as a general rule, aggressive antiviral therapy should not be administered.

3.5 Initial treatment—Genotype 1 with low viral load, and Genotype 2

In patients with chronic hepatitis C, genotype 1 with low viral load and genotype 2, administered Peg-IFN + ribavirin combination therapy, little difference is seen in SVR rates according to genotype or viral load. In the United States and Europe, Peg-IFN + ribavirin combination therapy is the treatment of first choice, whereas in Japan treatment-naïve patients with low viral loads are given IFN monotherapy as first choice.

Genotype 1, low viral load

Patients with genotype 1 and a low viral load ($<5.0 \log_{10}$ IU/mL using real-time PCR, HCV core antigen <300 fmol/L) administered Peg-IFN monotherapy achieve $\geq 50\%$ of SVR rates.^{40,134} Approximately 50% of SVR rates can be achieved with standard IFN monotherapy for 24–48 weeks as well.¹³⁵ Peg-IFN + ribavirin combination therapy has been reported to yield SVR rates $\geq 80\%$ in this patient group,¹³⁶ but is not approved by Japanese national medical insurance.

Genotype 2, low virus load

Patients with genotype 2 and a low viral load administered Peg-IFN monotherapy achieve SVR rates of approximately 90%.^{134,137} Similarly high SVR rates are also seen with standard IFN monotherapy. Although not approved by medical insurance in Japan, even higher SVR rates can be achieved with Peg-IFN + ribavirin combination therapy. The standard treatment duration is 24 weeks, but this can be shortened to 8–16 weeks if HCV RNA becomes undetectable by treatment week 1 or 2.¹³⁸

Genotype 2, high viral load

Peg-IFN + ribavirin combination therapy shows high efficacy in patients with genotype 2 and a high viral load.^{85,139} If HCV RNA is <1000 IU/mL ($6.0 \log_{10}$ IU/mL), viral clearance can also be expected with

Peg-IFN monotherapy. In particular, if HCV RNA becomes undetectable by treatment week 4–8, SVR rates $\geq 80\%$ can be achieved.¹³⁷

Recommendations:

- 1 For treatment-naïve patients with genotype 1 and a low viral load, Peg-IFN monotherapy for 24–48 weeks or standard IFN monotherapy for 24 weeks is recommended.
- 2 For treatment-naïve patients with genotype 2 and a low viral load, Peg-IFN monotherapy for 24–48 weeks or standard IFN monotherapy for 24 weeks is recommended. This can be shortened to 8–16 weeks if HCV RNA becomes undetectable by treatment week 1 or 2.
- 3 For treatment-naïve patients with genotype 2 and a high viral load, Peg-IFN + ribavirin combination therapy or IFN- β + ribavirin therapy for 24 weeks is recommended. If there are problems with using ribavirin, Peg-IFN monotherapy may be administered for 24–48 weeks.

3.6 Retreatment—Genotype 1 with high viral load

Response to the previous therapy is the best indicator of the therapeutic efficacy of retreatment in patients who fail to respond to IFN/Peg-IFN + ribavirin combination therapy.^{140–142} Failure to respond to previous therapy is broadly divided into “relapse” (HCV RNA became undetectable during treatment but reappeared following treatment) and “non-response” (HCV RNA did not become undetectable during treatment). Furthermore, “non-response” is divided into “null response”, with almost no response ($<2 \log$ decrease in HCV RNA at treatment week 12) and “partial response” (HCV RNA did not become undetectable during treatment, but $\geq 2 \log$ decrease at treatment week 12) (Table 2).¹⁰¹ When combination therapy including ribavirin is administered to patients who did not have ribavirin in their previous therapy, namely, the previous therapy was IFN or Peg-IFN monotherapy, the response to previous therapy is not a strong predictor of efficacy. As a general rule, in these cases the therapy protocol in treatment-naïve patients applies. If the details of previous treatment are unknown, again the therapy protocol in treatment-naïve patients applies.

The Epic study, mainly conducted in Western countries, trialed the retreatment with 48 weeks' Peg-IFN + ribavirin combination therapy in patients who failed to respond to previous IFN/Peg-IFN + ribavirin combination therapy (genotype 1, METAVIR score F2–F4). They reported an SVR rate of 23% (56/243) in

relapsers of the previous treatment, and the even lower rate of 4% (19/431) in non-responders.¹⁴² In the REPEAT study of the efficacy of extended treatment durations of Peg-IFN- α -2a + ribavirin combination therapy in patients who failed to respond to previous IFN/Peg-IFN- α -2b + ribavirin combination therapy, the SVR rate of 16% in the 72-week treatment group was higher than that of 8% for the 48-week treatment group.¹⁴⁰ In a study of response-guided retreatment of Peg-IFN + ribavirin combination therapy in patients who previously failed to respond to the same therapy, the SVR rate in relapsers was 63% (20/32) and 13% (3/24) in non-responders, whereas none of the 16 null responders achieved SVR.¹⁴¹ In this way, in order to achieve SVR with retreatment with Peg-IFN + ribavirin combination therapy in a patient who failed to respond to previous combination therapy containing ribavirin, it is necessary that the patient not be a null responder to the previous treatment. It is also desirable that the previous treatment was not extended in duration.

The response to previous therapy is also extremely important for retreatment with telaprevir + Peg-IFN + ribavirin triple therapy. When patients with genotype 1 chronic hepatitis C who failed to respond to previous Peg-IFN + ribavirin combination therapy were administered standard telaprevir therapy (telaprevir + Peg-IFN + ribavirin triple therapy for 12 weeks, followed by Peg-IFN- α -2a + ribavirin dual therapy for 12 weeks; T12PR24) as retreatment, the SVR rate in relapsers of Peg-IFN + ribavirin combination therapy was 69% (29/42), and lower in non-responders at 39% (26/66) (PROVE 3 study).¹³ In a Japanese clinical trial, if we consider only patients whose previous treatment was Peg-IFN + ribavirin combination therapy, the SVR rate was 86% (68/79) in relapsers and 28% (8/29) in non-responders.

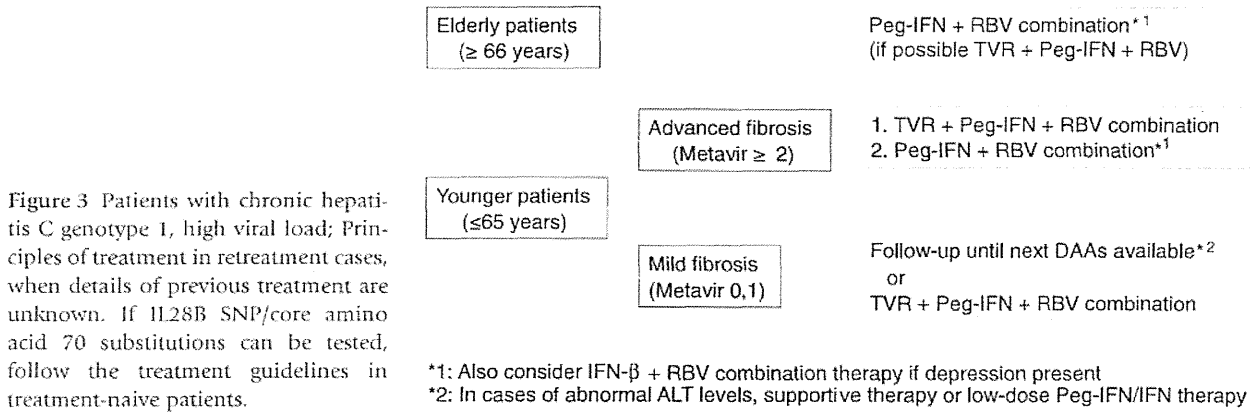
Another clinical trial administered telaprevir + Peg-IFN + ribavirin triple therapy for 48 weeks to patients with genotype 1 chronic hepatitis C who failed to respond to previous Peg-IFN + ribavirin combination therapy (REALIZE study). They allocated patients to a group administered telaprevir + Peg-IFN + ribavirin triple therapy for 12 weeks, followed by Peg-IFN- α -2a + ribavirin dual therapy for 36 weeks (T12PR48); a group administered Peg-IFN- α -2a lead-in monotherapy for 4 weeks followed by telaprevir + Peg-IFN- α -2a + ribavirin triple therapy for 12 weeks then Peg-IFN- α -2a + ribavirin dual therapy for 32 weeks (Lead-in T12PR48); and a control group administered Peg-IFN- α -2a + ribavirin therapy for 48 weeks (PR48). The SVR rates for the T12PR48/Lead-in T12PR48/PR48 groups

according to response to previous therapy to Peg-IFN + ribavirin combination therapy were 83%/88%/24% for relapsers, 59%/54%/15% for partial responders and 29%/33%/5% for null responders, indicating that response to previous therapy is a strong predictor of the efficacy of triple therapy, regardless of lead-in.¹⁰⁰ A study of the relationship between IL-28B SNPs and therapeutic effect according to response to previous treatment found that for the same previous response, SVR rates were similar for major (CC) and minor (CT or TT) alleles at the IL-28B SNP (rs12980275) (relapser, 88%/85%/85%; partial responder, 63%/58%/71%; null responder, 40%/29%/31%).¹⁴³ In a clinical trial of retreatment with telaprevir + Peg-IFN + ribavirin triple therapy for patients with genotype 1 chronic hepatitis C who failed to respond to Peg-IFN + ribavirin combination therapy, null responders and those who failed to achieve eRVR were administered extended therapy (T12PR48), and others standard telaprevir therapy (T12PR24). The SVR rates were 97% (28/29) in relapsers, 55% (16/29) in partial responders and 37% (19/51) in null responders.¹⁴⁴

In this way, we can see that the response to previous therapy is also an extremely important prognostic factor for retreatment with telaprevir + Peg-IFN + ribavirin triple therapy. The SVR rate for null-responders to previous therapy is only of the order of 30% for 48 weeks with telaprevir + Peg-IFN + ribavirin triple therapy, and lower SVR rates can be anticipated in Japan with 24 weeks' treatment. There are particular concerns regarding adverse reactions in elderly null-responders to previous therapy, so caution is required in considering triple therapy in this patient group.

Selection of antiviral therapy for retreatment: Genotype 1 with high viral load (Figs 3,4)

Elderly patients. In general, retreatment should be with Peg-IFN + ribavirin combination therapy, although telaprevir + Peg-IFN + ribavirin combination therapy should be considered if it can be tolerated. Therapeutic efficacy has been reported for retreatment with Peg-IFN + ribavirin combination therapy in non-responders to IFN + ribavirin combination therapy,^{145,146} but SVR cannot be expected with Peg-IFN + ribavirin combination therapy in null responders to IFN + ribavirin combination therapy. Telaprevir + Peg-IFN + ribavirin combination therapy can be commenced in null responders to previous therapy, with due consideration of the discontinuation criteria. Due to concern about adverse reactions, and the fact that the anticipated therapeutic efficacy is not high, in general it is preferable to



wait for the next generation DAAs. On the other hand, elderly patients are at high risk of developing HCC, so if viral clearance cannot be achieved, low-dose long-term Peg-IFN or IFN therapy, or supportive therapy (e.g. SNMC, UDCA) should be administered with the aims of biochemical improvement and inhibiting hepatocellular carcinogenesis.

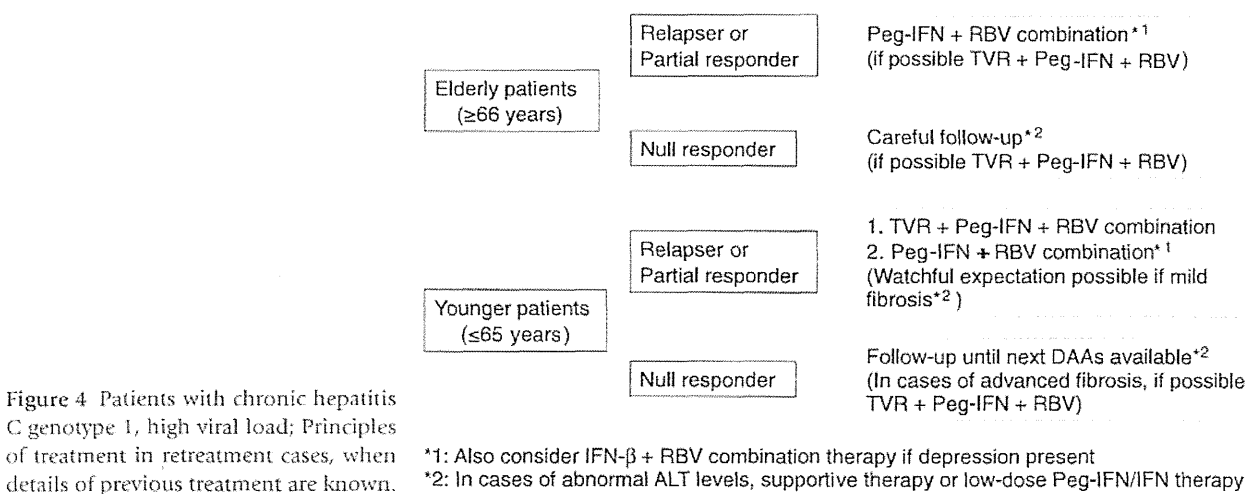
Non-elderly patients. As mentioned above, in Japanese studies, retreatment with triple therapy in relapsers following previous Peg-IFN + ribavirin combination therapy is highly efficacious, with an SVR rate of 86%.^{9,147} In all non-responders to Peg-IFN + ribavirin combination therapy, the SVR rate was 28%, although better rates can be anticipated in partial responders. Accordingly, the treatment of first choice in relapsers and partial responders to previous therapy is telaprevir + Peg-IFN + ribavirin triple therapy. If triple

therapy cannot be tolerated, retreatment with Peg-IFN + ribavirin combination therapy should be considered in patients with advanced fibrosis, although waiting for the next generation DAAs is an option in patients with mild fibrosis.

In null responders to previous therapy, the anticipated therapeutic efficacy for 24 weeks' triple therapy is rather low.⁹ Accordingly, telaprevir + Peg-IFN + ribavirin triple therapy should be considered in patients with advanced fibrosis, but for patients with mild fibrosis in general we should wait for the next generation DAAs.

Recommendations:

1 Response to the previous therapy is the best indicator of the therapeutic efficacy of retreatment in patients with chronic hepatitis C genotype 1 and a high viral load who failed to respond to previous



IFN/Peg-IFN + ribavirin combination therapy. In general, follow the therapy protocol in treatment-naïve patients for retreatment with combination therapy including ribavirin in patients previously administered IFN or Peg-IFN monotherapy.

- 2 *Retreatment in elderly patients with genotype 1 and high viral load: for relapsers and partial responders to previous therapy, retreatment should be with Peg-IFN + ribavirin combination therapy in general, although telaprevir + Peg-IFN + ribavirin combination therapy should be considered if it can be tolerated.*
- 3 *Retreatment in elderly patients with genotype 1 and high viral load: for null responders to previous therapy, as an adequate antiviral effect cannot be expected, careful follow-up should be considered. If ALT levels are abnormal, low-dose long-term Peg-IFN/IFN therapy or supportive therapy should be administered.*
- 4 *Retreatment in non-elderly patients with genotype 1 and high viral load: for relapsers and partial responders to previous therapy, the treatment of first choice is telaprevir + Peg-IFN + ribavirin combination therapy. If triple therapy cannot be tolerated, retreatment with Peg-IFN + ribavirin combination therapy should be considered in patients with advanced fibrosis, although waiting for the next generation DAAs is an option in patients with mild fibrosis.*
- 5 *Retreatment in non-elderly patients with genotype 1 and high viral load: for null responders to previous therapy, telaprevir + Peg-IFN + ribavirin triple therapy should be considered in patients with advanced fibrosis, if tolerated, but for patients with mild fibrosis, we should wait for the next generation DAAs.*

3.7 Retreatment—Genotype 1 with low viral load, and Genotype 2

Genotype 1, low viral load

If the previous treatment was IFN or Peg-IFN monotherapy, as a general rule, retreatment should be with Peg-IFN + ribavirin combination therapy. When Peg-IFN- α is contraindicated due to depression or depressive symptoms, IFN- β can be used instead of Peg-IFN.²⁶ When the previous therapy included ribavirin, telaprevir + Peg-IFN + ribavirin combination therapy should be used. If triple therapy cannot be tolerated, then consider retreatment with Peg-IFN + ribavirin combination therapy, although there is no clear evidence regarding the efficacy of this therapy as retreatment.

Genotype 2, high viral load

If the previous treatment was IFN or Peg-IFN monotherapy, retreatment should be with Peg-IFN + ribavirin combination therapy (24 weeks). When the previous therapy included ribavirin, treatment with Peg-IFN + ribavirin therapy (24–48 weeks) should be considered. SVR rates $\geq 50\%$ have been reported.^{141,148} When Peg-IFN- α is contraindicated due to depression or depressive symptoms, IFN- β can be used instead of Peg-IFN.²⁶

Genotype 2, low viral load

If the previous treatment was IFN or Peg-IFN monotherapy, retreatment should be with Peg-IFN + ribavirin combination therapy (24 weeks). When the previous therapy included ribavirin, treatment with Peg-IFN + ribavirin therapy (24–48 weeks) should be considered. High SVR rates comparable to those achieved with initial treatment have been reported.^{85,136} As with patients with genotype 2 and a high viral load, if Peg-IFN- α is contraindicated due to depression or depressive symptoms, IFN- β can be used instead of Peg-IFN.²⁶

Recommendations:

- 1 *In patients with genotype 1 and a low viral load, if the previous treatment was IFN or Peg-IFN monotherapy, as a general rule, retreatment should be with Peg-IFN + ribavirin combination therapy. When the previous therapy included ribavirin, telaprevir + Peg-IFN + ribavirin combination therapy should be used. If triple therapy cannot be tolerated, then consider retreatment with Peg-IFN + ribavirin combination therapy in patients with advanced fibrosis.*
- 2 *In patients with genotype 2, regardless of the viral load, if the previous treatment was IFN or Peg-IFN monotherapy, retreatment should be with Peg-IFN + ribavirin combination therapy (24 weeks). When the previous therapy included ribavirin, treatment with Peg-IFN + ribavirin therapy (24–48 weeks) should be considered.*
- 3 *In any patient group, in patients unable to tolerate Peg-IFN- α due to depression or depressive symptoms, IFN- β + ribavirin combination therapy should be administered for 28–48 weeks.*

3.8 Treatment of patients with liver cirrhosis

IFN therapy for compensated cirrhosis

The state in which the hepatic functional reserve is preserved, and there is no evidence of liver failure such as jaundice, ascites, hepatoencephalopathy or esophageal varices (Child–Pugh class A) is called compensated

cirrhosis, and when there is evidence of liver failure (Child–Pugh class B, C), it is called decompensated cirrhosis. Patients with liver cirrhosis accompanying severe fibrosis are a high-risk group for hepatocellular carcinogenesis. Even if they avoid developing HCC, the prognosis is poor if they develop liver failure. Accordingly, the objective of treatment for liver cirrhosis is to prevent both HCC and liver failure, and aggressive antiviral therapy is highly necessary in patients with compensated cirrhosis. Viral eradication through IFN therapy in patients with compensated cirrhosis can be expected to reduce the risk of HCC and liver failure.⁸ However, patients with advanced hepatic fibrosis are IFN-resistant, and pancytopenia associated with hypersplenism complicating liver cirrhosis impedes IFN therapy.^{78,79} When a virological response is not achieved with IFN therapy, a changeover to low-dose long-term IFN therapy should be made with the improving ALT levels and inhibiting hepatocellular carcinogenesis. The safety of telaprevir + Peg-IFN + ribavirin triple therapy has not been established in patients with cirrhosis, and is not approved by national medical insurance for this patient group.

Peg-IFN + ribavirin combination therapy. For some time now, outside of Japan, the standard treatment for patients with compensated cirrhosis has been the same as for chronic hepatitis C, Peg-IFN + ribavirin combination therapy.^{149,150} In a trial comparing Peg-IFN- α -2b (1.0 μ g/kg per week) monotherapy and combination therapy including ribavirin (800 mg/day), mainly in patients with compensated cirrhosis, higher efficacy was seen with the latter (SVR rates, 9.8% vs 21.6%, $P=0.06$). The SVR rate was 67% in patients with genotypes 2 and 3, significantly higher than that of 11% in patients with genotypes 1 and 4 ($P=0.001$). Progression towards liver failure was significantly less in patients achieving SVR than in non-responders (6.2% vs 38.3%, $P=0.03$).¹⁵¹ In a clinical trial of Peg-IFN- α -2a 180 μ g/kg/week and ribavirin 600–1200 mg/day combination therapy, solely with patients with compensated cirrhosis, a significantly higher SVR rate was seen with genotypes 2 and 3 than with genotypes 1 and 4 (32% vs 58%, $P=0.04$).¹⁵⁰ In 2011, Peg-IFN- α -2b or Peg-IFN- α -2a + ribavirin combination therapy has been approved in Japan by national medical insurance for the treatment of patients with compensated cirrhosis, irrespective of viral load or genotype. In a Japanese clinical trial of Peg-IFN- α -2b 1.0 μ g/kg/week in combination with ribavirin for 48 weeks in patients with compensated HCV cirrhosis, the SVR rate was 22% (15/69) in patients with

genotype 1 and a high viral load, and 79% (26/33) in other patients, indicating high efficacy in all groups other than genotype 1 with a high viral load. In a study of 48 weeks of a combination of Peg-IFN- α -2a in two doses, 90 and 180 μ g/week, with ribavirin, the SVR rate was 28% (17/61) in the 90- μ g group, and 27% (17/63) in the 180- μ g group, with no difference seen between groups. In the 90- μ g group, the SVR was 21% (10/48) in patients with genotype 1 and 50% (6/12) in those with genotype 2, showing high efficacy against the latter.¹⁵²

In patients with compensated cirrhosis, where the doses of Peg-IFN- α and ribavirin are limited by the high degree of fibrosis, extended courses of combination therapy are required to achieve SVR. The HCV RNA dynamics following commencement of Peg-IFN + ribavirin combination therapy are also a good indicator of SVR in patients with compensated cirrhosis.^{153,154} Accordingly, as with chronic hepatitis C, response-guided therapy altering the duration of treatment in accordance with the response to Peg-IFN + ribavirin therapy is useful. If HCV RNA does not become undetectable by treatment week 12 and viral clearance cannot be achieved, as with chronic hepatitis C, consideration should be given to a changeover to low-dose long-term Peg-IFN therapy with the aim of inhibiting hepatocellular carcinogenesis. Adverse reactions to Peg-IFN + ribavirin combination therapy in patients with compensated cirrhosis such as influenza-like-syndrome, depression, lethargy and cytopenia are common, but there are no great differences with chronic hepatitis in terms of safety and tolerability.^{149,150} However, pancytopenia associated with hypersplenism may be present in the background, so reduction in the dose of both agents is often required due to severe cytopenias, including anemia, neutropenia and thrombocytopenia.^{151,153}

The standard dose for Peg-IFN- α -2b in the treatment of patients with compensated cirrhosis is 1.0 μ g/kg/week, and the criteria for dose reduction and discontinuation during treatment are as follows: halve the dose in the case of a neutrophil count $<750/\mu$ L or platelet count $<50\,000/\mu$ L; and cease both Peg-IFN- α -2b and ribavirin in the case of a neutrophil count $<500/\mu$ L, platelet count $<35\,000/\mu$ L or Hb <8.5 g/dL.¹⁵⁵ When the pretreatment Hb is ≥ 14 g/dL, the daily dose of ribavirin is 600 mg for patients weighing ≤ 60 kg, 800 mg for 61–80 kg and 1000 mg for >80 kg. If the pretreatment Hb is <14 g/dL, the starting dose of ribavirin is reduced by 200 mg, irrespective of weight.

The criteria for ribavirin dose reduction or discontinuation when a decline in Hb occurs during treatment are:

reduce the daily dose by 200 mg (400 mg if started at 1000 mg) for Hb <10 g/dL; and discontinue if Hb is <8.5 g/dL.⁸¹

The standard dose for Peg-IFN- α -2a in the treatment of patients with compensated cirrhosis is 90 μ g/kg/week. The criteria for dose reduction and discontinuation during treatment are as follows: reduce the dose to 45 μ g/mL in the case of a neutrophil count <1000/ μ L, and to 22.5 μ g/mL in the case of a neutrophil count <750/ μ L; and cease both Peg-IFN- α -2a and ribavirin in the case of a neutrophil count <500/ μ L, platelet count <50 000/ μ L or Hb <8.5 g/dL.¹⁵⁶ The starting doses for ribavirin are as for co-administration with Peg-IFN- α -2b. The criteria for ribavirin dose reduction or discontinuation when a decline in Hb occurs during treatment are: reduce the daily dose by 400 mg (600 mg if started at 1000 mg) for Hb <11 g/dL during treatment weeks 1-4, or Hb <10 g/dL during treatment weeks 5-48. For patients with heart conditions or a history of the same, in addition to the above criteria, if a decline in Hb \geq 2 g/dL in comparison to the pretreatment level persists for 4 weeks, reduce the daily dose by 400 mg (600 mg if started at 1000 mg). If Hb remains <12 g/dL 4 weeks after the dose reduction, cease ribavirin.⁸⁰

IFN monotherapy. Apart from patients with genotype 1 and a high viral load, IFN monotherapy should be selected for patients unable to tolerate Peg-IFN + ribavirin combination therapy due to adverse reactions such as anemia or depression. At present, IFN- β and human lymphoblastoid IFN (HLBI), an IFN- α formulation, are approved for national medical coverage for the treatment of patients with compensated cirrhosis with HCV genotype 1 and a low viral load, and genotype 2. They are not approved for patients with genotype 1 and a high viral load (\geq 100 kIU/mL for IFN- β , \geq 500 kIU/mL for HLBI). Japanese clinical trials of IFN- β in the treatment of patients with compensated cirrhosis with genotype 1 and a low viral load, and genotype 2, yielded SVR rates in the patients administered 126 doses of 44% (8/18) in the genotype 1 low viral load group (<1 Meq/mL), 19% (3/16) in the genotype 2 high viral load group (\geq 1 Meq/mL) and 46% (6/13) in the genotype 2 low viral load group.¹⁵⁷ In a Japanese multicenter collaborative trial of HLBI in the treatment of HCV compensated cirrhosis, SVR rates in the group administered HLBI 6 MU consecutive daily for 2 weeks, then 3 MU three times weekly for 46 weeks, were 50% (1/2) in the genotype 1 low viral load group (<100 kIU/mL), 25% (3/12) in the genotype 2 high viral load group (\geq 100 kIU/mL) and 67% (4/6) in the genotype 2 low

viral load group.¹⁵⁸ In both studies, efficacy increased with increased treatment duration. Furthermore, greater efficacy was seen with genotype 2 than genotype 1, and with a low viral load than with a high viral load. The rate of discontinuation due to adverse reactions was similar to that with chronic hepatitis C, and although the incidence of influenza-like syndrome and abnormal laboratory test results was high, no cirrhosis-specific adverse events were reported. In an overseas trial of Peg-IFN monotherapy in the treatment of patients with cirrhosis, SVR rates and biochemical efficacy were both superior to standard IFN therapy. A randomized prospective study comparing standard non-pegylated-IFN- α and Peg-IFN- α -2a reported SVR rates in patients administered non-pegylated-IFN- α -2a 3 MU three times/week, Peg-IFN- α -2a 90 μ g/week and 180 μ g/week to be 8% (7/88), 15% (14/96) and 30% (26/87), respectively. No difference was seen between groups in terms of tolerability.¹⁵⁹

HLBI therapy aiming for viral clearance comprises HLBI 6 MU weekly for 2 consecutive weeks, then 3-6 MU three times weekly. The criteria for dose reduction and discontinuation during HLBI treatment are as follows: reduce the dose or increase the interval between doses in the case of a platelet count \geq 30 000/ μ L and <50 000/ μ L, and discontinue in the case of a white blood cell counts <1500/ μ L, platelet count <30 000/ μ L or ALT level \geq 500 U/L.¹⁶⁰

IFN- β therapy is usually commenced at 6 MU, and is administered 3-6 MU consecutive daily until treatment week 6, then 3 MU three times a week. The criteria for dose reduction and discontinuation during IFN- β treatment are as follows: reduce the dose or increase the interval between doses in the case of a white blood cell counts <1500/ μ L, neutrophil count <750/ μ L or platelet count <50 000/ μ L, and discontinue in the case of a white blood cell counts <1000/ μ L, neutrophil count <500/ μ L or platelet count <25 000/ μ L.¹⁵³ For both HLBI and IFN- β , if HCV RNA becomes undetectable before treatment week 12, as for chronic hepatitis C, the treatment period should be extended to 48-72 weeks.

Low-dose IFN maintenance therapy. If HCV RNA does not become undetectable before treatment week 12 with Peg-IFN + ribavirin combination therapy or IFN monotherapy, a changeover to low-dose IFN maintenance therapy should be made with the aim of improving ALT levels and inhibiting hepatocellular carcinogenesis. Low-dose IFN or Peg-IFN maintenance therapy is useful in patients with liver cirrhosis in preventing progression

of liver disease and the development of HCC.^{19,47,51} It is not effective in all patients, however, and discontinuation of treatment should be considered if improvement is not seen in ALT levels (≤ 40 IU/L) or AFP levels (≤ 10 ng/mL) within 6 months.

IFN therapy for decompensated cirrhosis

Patients with decompensated cirrhosis are at high risk of death due to liver failure, and liver transplant is the most effective treatment in suitable cases. However, post-transplant recurrence of hepatitis C causes allograft failure in approximately 30% of recipients within 5 years, so in overseas countries, pretransplant IFN therapy is administered with the aim of HCV eradication or suppression.^{161,162} Several studies have demonstrated the efficacy of Peg-IFN (\pm ribavirin) therapy in patients with HCV genotype 2.^{163–165} Patients with decompensated cirrhosis are at high risk of thrombocytopenia, anemia, infections and liver decompensation, however, and treatment discontinuation due to severe cytopenias is common. Serious bacterial infections associated with IFN therapy have been reported to be more common in patients with patients with Child–Pugh C than in Child–Pugh A/B disease.¹⁶⁶

Treatment of patients with thrombocytopenia

In patients with marked thrombocytopenia associated with hypersplenism, it is difficult to introduce Peg-IFN or ribavirin combination therapy. Measures such as splenectomy or partial splenic embolization (PSE) are employed to increase the platelet count before commencing IFN therapy.^{167–169} In Japan, mainly in patients with Child–Pugh A disease, Peg-IFN (\pm ribavirin) therapy is commenced following splenectomy or PSE. An increase in the platelet count is seen in almost all patients following either procedure, and high SVR rates are seen in patients with HCV genotype 2. However, postoperative complications including overwhelming post-splenectomy infection, portal vein thrombosis and hepatic dysfunction have been reported following both splenectomy and PSE.^{166–170} The thrombopoietin receptor agonist, eltrombopag, has been developed overseas as an oral agent that increases platelet counts,¹⁷¹ but it is not yet available for clinical use in Japan.

Recommendations:

- 1 In patients with compensated cirrhosis (Child–Pugh class A) associated with HCV, aggressive IFN therapy should be commenced with the aims of preventing hepatocellular carcinogenesis and liver failure. This

patient group requires careful observation during treatment due to the high incidence of adverse reactions such as cytopenias.

- 2 Patients with compensated cirrhosis associated with HCV should be given Peg-IFN + ribavirin combination therapy, irrespective of genotype or viral load. The standard dose is 1.0 μ g/kg/week for Peg-IFN- α -2b and 90 μ g/week for Peg-IFN- α -2a. The usual treatment period is 48 weeks, although consideration should be given to response-guided therapy and the discontinuation criteria for chronic hepatitis C.
- 3 Patients with compensated cirrhosis associated with HCV genotype 1 and a lower viral load, or genotype 2, not suited to combination therapy with ribavirin, should be administered HLB1 or IFN- β monotherapy. HLB1 therapy commences with HLB1 6 MU consecutive daily for 2 weeks, then 3–6 MU three times weekly. IFN- β therapy is usually commenced with 6 MU daily for a week, followed by 3 MU daily for 5 weeks, then 3 MU three times a week from treatment week 7. For both HLB1 and IFN- β , if HCV RNA becomes undetectable before treatment week 12, the treatment period should be extended to 48–72 weeks.
- 4 If HCV RNA does not become undetectable before treatment week 12 with Peg-IFN + ribavirin combination therapy or IFN monotherapy in patients with compensated cirrhosis associated with HCV, long-term HLB1 therapy at a dose of 3 MU three times weekly should be commenced with the aim of inhibiting hepatocellular carcinogenesis. Treatment should be discontinued if improvement is not seen in ALT levels (≤ 40 IU/L) or AFP levels (≤ 10 ng/mL) within 6 months.
- 5 The efficacy of IFN therapy is low in patients with decompensated cirrhosis associated with HCV (Child–Pugh class B and C). In particular, patients with Child–Pugh class C do not tolerate IFN therapy well, and serious adverse reactions such as cytopenias and infections have been reported, so IFN therapy is not recommended in this patient group.
- 6 If IFN therapy is being considered in a patient with compensated HCV cirrhosis associated with a platelet count $< 50\,000/\mu$ L, one option is to perform splenectomy or PSE before commencing IFN therapy.

3.9 Management of patients with normal ALT levels

In a study of Peg-IFN + ribavirin combination therapy and hepatocellular carcinogenesis in 809 patients with chronic hepatitis C and normal pretreatment ALT levels (male/female, 269/540; average age, 57 ± 11

years; genotype 1/2, 550/247; mean observation period, 36.2 ± 16.5 months), in the group with platelet counts $\geq 150\,000/\mu\text{L}$ ($n = 586$) no significant difference was seen in the incidence of HCC according to therapeutic effect, with 1.5% of non-responders developing HCC within 3 years. In the group with platelet counts $< 150\,000/\mu\text{L}$ ($n = 323$), however, the cumulative incidence of HCC was high at 10.1% in non-responders, with no cases of HCC among the responders or relapsers. These results demonstrated that Peg-IFN + ribavirin therapy significantly inhibits hepatocellular carcinogenesis ($P < 0.001$).¹⁷² The efficacy of Peg-IFN + ribavirin combination therapy is similar in patients with normal and elevated ALT levels.^{173,174}

Accordingly, antiviral therapy should be considered even in patients with ALT levels ≤ 30 IU/mL if their platelet count is $< 150\,000/\mu\text{L}$. On the other hand, antiviral therapy does not need to be commenced immediately in patients with an ALT level ≤ 30 IU/mL and a platelet count $\geq 150\,000/\mu\text{L}$, and follow-up while waiting for the next generation DAAs is a reasonable option. ALT levels may rise during the follow-up period, however, and treatment is indicated if the patient has a strong desire to commence antiviral therapy. At present, the available evidence regarding patients with normal ALT levels is mainly related to Peg-IFN + ribavirin combination therapy, although high therapeutic efficacy can also be anticipated with telaprevir + Peg-IFN + ribavirin combination therapy in this patient group.

Recommendation:

Antiviral therapy for patients with normal ALT levels (ALT, ≤ 30 IU/mL) can be administered in the same way as for patients with elevated ALT levels. Aggressive therapy is particularly desirable in patients with platelet counts $< 150\,000/\mu\text{L}$.

4. PROTECTIVE THERAPY

THE AIM OF protective therapy is not HCV clearance, but rather to reduce inflammation and inhibit the progression of fibrotic change in the hepatic tissue. The indications for protective therapy in patients with chronic hepatitis C are: patients with abnormal ALT and AST levels unable to undergo IFN or other antiviral therapy; patients who failed to achieve viral clearance with antiviral therapy; and patients who do not wish to undergo antiviral therapy. UDCA and SNMC are the protective therapies that have been scientifically shown to be useful.

UDCA

Ursodeoxycholic acid is a bile acid formulation, approved for use in doses of 600–900 mg daily by national medical insurance. The main mechanism of action of UDCA in hepatitis is a hepatocytoprotective effect. Other postulated mechanisms of action include protection of the hepatocyte cell membrane by substitution of UDCA for other cytotoxic bile acids, antioxidative stress effects, immunoregulatory effects and anti-apoptotic effects.¹⁷⁵

Improvement of liver function is seen from UDCA doses of 150 mg/day.^{176,177} In a Japanese nationwide multicenter double-blind trial, significantly greater improvement was seen in AST, ALT and γ -glutamyl transpeptidase levels in the groups administered 600 and 900 mg/day than in those given 150 mg/day.¹⁷⁶ Accordingly, the UDCA dose for the treatment of chronic hepatitis C is generally 600 or 900 mg/day. Adverse reactions are mainly gastrointestinal symptoms such as epigastric discomfort, diarrhea and constipation, but these are generally mild. A retrospective study of inhibition of hepatocellular carcinogenesis by UDCA reported that it significantly reduced the incidence of HCC.¹⁷⁸

SNMC

The main constituent of SNMC is glycyrrhizin, a compound extracted from the liquorice root. The mechanisms of action of SNMC in the treatment of hepatic dysfunction are derived from anti-inflammatory effects related to the steroid-like properties of glycyrrhizin, and hepatocyte cell membrane protective effects. These actions are considered to lead to improved ALT levels. In a Japanese double-blind trial of SNMC 40 mL daily for 1 month, significant improvement in AST and ALT levels was seen in the SNMC group in comparison with the placebo group.^{179,180} Doses are 40–100 mL daily or alternate daily, although Japanese dosage comparison trials found significantly greater improvement in ALT levels with 100 mL than with 40 mL.^{181,182} In another study, long-term administration of SNMC significantly inhibited progression to liver cirrhosis in comparison with the control group.¹⁸³ Adverse reactions to SNMC include hypokalemia and hypertension.

Studies of inhibition of hepatocellular carcinogenesis by SNMC found that the incidence of HCC was significantly lower in the treatment group than in the control group.^{183,184} SNMC therapy has also been found to significantly reduce the incidence of HCC in non-responders to IFN therapy.^{185,186}

UDCA + SNMC combination therapy

An RCT comparing SNMC monotherapy and UDCA + SNMC combination therapy found significantly greater improvement in ALT levels in the combination therapy group.¹⁸⁷ This combination is useful in reducing inflammation.

Recommendation:

Oral UDCA and i.v. SNMC, or both in combination, are recommended as protective therapy in patients with chronic hepatitis C.

5. THERAPEUTIC PHEBOTOMY

IRON METABOLISM PLAYS an important role in patients with chronic hepatitis C. Iron is an essential metal, and a constituent of important proteins, including Hb. When iron is present in excess, however, cytotoxic hydroxyl radicals are produced, causing oxidative stress. Therapeutic phlebotomy was devised as a supportive therapy for patients with chronic hepatitis C because oxidative stress associated with iron overload is a factor in progression of liver disease. Restriction of dietary iron is also important in the management of patients undergoing iron reduction therapy. As for protective therapy, therapeutic phlebotomy is indicated in patients with chronic hepatitis C with abnormal ALT and AST levels unable to undergo IFN or other antiviral therapy, patients who failed to achieve viral clearance with antiviral therapy and patients who do not wish to undergo antiviral therapy.

In 1994, a Japanese study reported that therapeutic phlebotomy lowered ALT levels in patients with chronic hepatitis C.¹⁸⁸ A Japanese multicenter RCT also confirmed improvement in ALT levels with therapeutic phlebotomy.¹⁸⁹ Other studies have reported a 50% decrease in ALT levels in 80% of patients, and normalization of ALT levels in 40–70% of patients.^{190,191} Histological studies have reported inhibition of progression,¹⁹² and even improvement,¹⁹³ of histological changes. Long-term therapeutic phlebotomy has been reported to significantly inhibit hepatocellular carcinogenesis.¹⁹⁰

In general, therapeutic phlebotomy involves removal of 200–400 mL blood at 1–2-week intervals with the aim of reducing the serum ferritin level to ≤ 20 ng/mL. If the Hb level drops below 9–10 g/dL, phlebotomies are discontinued to allow recovery of hematopoietic function. After the target has been reached, therapeutic phlebotomies are performed as appropriate with reference to ferritin and Hb levels. Adverse reactions are rare,

involving bradycardia and hypotension associated with the vagal reflex.

An additive effect is seen when therapeutic phlebotomy is performed in conjunction with UDCA or SNMC therapy. Greater reduction in ALT levels was seen with UDCA in combination with therapeutic phlebotomy than with UDCA monotherapy.¹⁹⁴ In patients on SNMC therapy, further reduction in ALT levels was seen with the addition of small volume phlebotomies.¹⁹⁵ The combination of therapeutic phlebotomy with another therapy with a different mode of action provides additional improvement in ALT levels.

Recommendations:

Therapeutic phlebotomy is a useful therapeutic modality in patients with chronic hepatitis C. Its use in combination with a protective therapy, oral UDCA or i.v. SNMC should also be considered.

REFERENCES

- 1 Choo QL, Kuo G, Weiner AJ, Overby LR, Bradley DW, Houghton M. Isolation of a cDNA clone derived from a blood-borne non-A, non-B viral hepatitis genome. *Science* 1989; 244: 359–62.
- 2 Kiyosawa K, Sodeyama T, Tanaka F *et al*. Interrelationship of blood transfusion, non-A, non-B hepatitis and hepatocellular carcinoma: analysis by detection of antibody to hepatitis C virus. *Hepatology* 1990; 12: 671–5.
- 3 Hoofnagle JH, Mullen KD, Jones DB *et al*. Treatment of chronic non-A, non-B hepatitis with recombinant human alpha interferon. A preliminary report. *N Engl J Med* 1986; 315: 1575–8.
- 4 Hagiwara H, Hayashi N, Mita E *et al*. Detection of hepatitis C virus RNA in serum of patients with chronic hepatitis C treated with interferon-alpha. *Hepatology* 1992; 15: 37–41.
- 5 Cardoso AC, Moucari R, Figueiredo-Mendes C *et al*. Impact of peginterferon and ribavirin therapy on hepatocellular carcinoma: incidence and survival in hepatitis C patients with advanced fibrosis. *J Hepatol* 2010; 52: 652–7.
- 6 Ikeda K, Saitoh S, Arase Y *et al*. Effect of interferon therapy on hepatocellular carcinogenesis in patients with chronic hepatitis type C: a long-term observation study of 1,643 patients using statistical bias correction with proportional hazard analysis. *Hepatology* 1999; 29: 1124–30.
- 7 Kasahara A, Hayashi N, Mochizuki K *et al*. Risk factors for hepatocellular carcinoma and its incidence after interferon treatment in patients with chronic hepatitis C. Osaka Liver Disease Study Group. *Hepatology* 1998; 27: 1394–402.
- 8 Yoshida H, Shiratori Y, Moriyama M *et al*. Interferon therapy reduces the risk for hepatocellular carcinoma: national surveillance program of cirrhotic and noncir-

- rhotic patients with chronic hepatitis C in Japan. IHIT Study Group. Inhibition of Hepatocarcinogenesis by Interferon Therapy. *Ann Intern Med* 1999; 131: 174–81.
- 9 Hayashi N, Okanoué T, Tsubouchi H, Toyota J, Chayama K, Kumada H. Efficacy and safety of telaprevir, a new protease inhibitor, for difficult-to-treat patients with genotype 1 chronic hepatitis C. *J Viral Hepat* 2012; 19: e134–e142.
 - 10 Hezode C, Forestier N, Dusheiko G *et al.* Telaprevir and peginterferon with or without ribavirin for chronic HCV infection. *N Engl J Med* 2009; 360: 1839–50.
 - 11 Kumada H, Toyota J, Okanoué T, Chayama K, Tsubouchi H, Hayashi N. Telaprevir with peginterferon and ribavirin for treatment-naïve patients chronically infected with HCV of genotype 1 in Japan. *J Hepatol* 2012; 56: 78–84.
 - 12 McHutchison JG, Everson GT, Gordon SC *et al.* Telaprevir with peginterferon and ribavirin for chronic HCV genotype 1 infection. *N Engl J Med* 2009; 360: 1827–38.
 - 13 McHutchison JG, Manns MP, Muir AJ *et al.* Telaprevir for previously treated chronic HCV infection. *N Engl J Med* 2010; 362: 1292–303.
 - 14 Hayashi N, Komada Y, Goto S. Primary analysis of TMC435 plus PegIFN/RBV in treatment-naïve patients infected with HCV genotype 1 (DRAGON Study). *Kanzo* 2011; 52: A592.
 - 15 Hayashi N, Mobashery N. Efficacy and safety of MK-7009 in combination with Peg-IFN and ribavirin therapy in the retreatment of patients with chronic hepatitis C genotype 1 with a high viral load. *J Jpn Soc Gastroenterol* 2011; 108: A930.
 - 16 Chayama K, Takahashi S, Toyota J *et al.* Dual therapy with the nonstructural protein 5A inhibitor, daclatasvir, and the nonstructural protein 3 protease inhibitor, asunaprevir, in hepatitis C virus genotype 1b-infected null responders. *Hepatology* 2012; 55: 742–8.
 - 17 Asahina Y, Tsuchiya K, Tamaki N *et al.* Effect of aging on risk for hepatocellular carcinoma in chronic hepatitis C virus infection. *Hepatology* 2010; 52: 518–27.
 - 18 Arase Y, Ikeda K, Suzuki F *et al.* Prolonged-interferon therapy reduces hepatocarcinogenesis in aged-patients with chronic hepatitis C. *J Med Virol* 2007; 79: 1095–102.
 - 19 Izumi N. Inhibition of hepatocellular carcinoma by PegIFN α -2a in patients with chronic hepatitis C: a nationwide multicenter cooperative study. *J Gastroenterol* 2012 Aug 9. [Epub]
 - 20 Wills RJ. Clinical pharmacokinetics of interferons. *Clin Pharmacokinet* 1990; 19: 390–9.
 - 21 Bocci V. Administration of interferon at night may increase its therapeutic index. *Cancer Drug Deliv* 1985; 2: 313–8.
 - 22 Morgano A, Puppo F, Criscuolo D. Evening administration of alpha interferon: relationship with the circadian rhythm of cortisol. *Med Sci Res* 1984; 15: 615–6.
 - 23 Ito T, Hara A, Kodama H *et al.* Night-time administration of interferon to patients with chronic hepatitis C – influence on QOL. Tama Symposium. *J Gastroenterol* 1995; 9: 46–9.
 - 24 Zeuzem S, Welsch C, Herrmann E. Pharmacokinetics of peginterferons. *Semin Liver Dis* 2003; 23 (Suppl 1): 23–8.
 - 25 Arase Y, Suzuki F, Akuta N *et al.* Efficacy and safety of combination therapy of natural human interferon beta and ribavirin in chronic hepatitis C patients with genotype 1b and high virus load. *Intern Med* 2010; 49: 957–63.
 - 26 Arase Y, Suzuki Y, Suzuki F *et al.* Efficacy and safety of combination therapy of natural human interferon beta and ribavirin in chronic hepatitis C patients. *Intern Med* 2011; 50: 2083–8.
 - 27 Katamura Y, Suzuki F, Akuta N *et al.* Natural human interferon beta plus ribavirin combination therapy in Japanese patients infected with hepatitis C virus and a high viral load. *Intern Med* 2008; 47: 1827–34.
 - 28 Nomura H, Miyagi Y, Tanimoto H, Yamashita N, Oohashi S, Nishiura S. Occurrence of clinical depression during combination therapy with pegylated interferon alpha or natural human interferon beta plus ribavirin. *Hepatol Res* 2012; 42: 241–7.
 - 29 Matsuda F, Torii Y, Enomoto H *et al.* Anti-interferon- α neutralizing antibody is strongly associated with non-response to pegylated interferon- α plus ribavirin in chronic hepatitis C including patients with interferon-responsive IL28B-type. *Hepatology* 2010; 52 (Suppl): 767A.
 - 30 Asahina Y, Izumi N, Uchihara M *et al.* A potent antiviral effect on hepatitis C viral dynamics in serum and peripheral blood mononuclear cells during combination therapy with high-dose daily interferon alfa plus ribavirin and intravenous twice-daily treatment with interferon beta. *Hepatology* 2001; 34: 377–84.
 - 31 Okushin H, Morii K, Uesaka K, Yuasa S. Twenty four-week peginterferon plus ribavirin after interferon-beta induction for genotype 1b chronic hepatitis C. *World J Hepatol* 2010; 2: 226–32.
 - 32 Haller O, Kochs G, Weber F. The interferon response circuit: induction and suppression by pathogenic viruses. *Virology* 2006; 344: 119–30.
 - 33 Sen GC. Viruses and interferons. *Annu Rev Microbiol* 2001; 55: 255–81.
 - 34 Stark GR, Kerr IM, Williams BR, Silverman RH, Schreiber RD. How cells respond to interferons. *Annu Rev Biochem* 1998; 67: 227–64.
 - 35 Soza A, Everhart JE, Ghany MG *et al.* Neutropenia during combination therapy of interferon alfa and ribavirin for chronic hepatitis C. *Hepatology* 2002; 36: 1273–9.
 - 36 Raison CL, Demetrashvili M, Capuron L, Miller AH. Neuropsychiatric adverse effects of interferon-alpha: recognition and management. *CNS Drugs* 2005; 19: 105–23.

- 37 Capuron L, Gumnick JF, Musselman DL *et al.* Neurobehavioral effects of interferon-alpha in cancer patients: phenomenology and paroxetine responsiveness of symptom dimensions. *Neuropsychopharmacology* 2002; 26: 643–52.
- 38 Cotler SJ, Wartelle CF, Larson AM, Gretch DR, Jensen DM, Carithers RL, Jr. Pretreatment symptoms and dosing regimen predict side-effects of interferon therapy for hepatitis C. *J Viral Hepat* 2000; 7: 211–7.
- 39 Raison CL, Miller AH. The neuroimmunology of stress and depression. *Semin Clin Neuropsychiatry* 2001; 6: 277–94.
- 40 Sakai T, Omata M, Iino S *et al.* A Phase II clinical trial of Ro25-8310 (interferon- β -2a) in patients with chronic hepatitis C. *Jpn J Med Pharm Sci* 2003; 50: 655–72.
- 41 McHutchison JG, Lawitz EJ, Shiffman ML *et al.* Peginterferon alfa-2b or alfa-2a with ribavirin for treatment of hepatitis C infection. *N Engl J Med* 2009; 361: 580–93.
- 42 Ascione A, De Luca M, Tartaglione MT *et al.* Peginterferon alfa-2a plus ribavirin is more effective than peginterferon alfa-2b plus ribavirin for treating chronic hepatitis C virus infection. *Gastroenterology* 2010; 138: 116–22.
- 43 Rumi MG, Aghemo A, Prati GM *et al.* Randomized study of peginterferon-alpha2a plus ribavirin vs peginterferon-alpha2b plus ribavirin in chronic hepatitis C. *Gastroenterology* 2010; 138: 108–15.
- 44 Awad T, Thorlund K, Hauser G, Stimac D, Mabrouk M, Gluud C. Peginterferon alpha-2a is associated with higher sustained virological response than peginterferon alfa-2b in chronic hepatitis C: systematic review of randomized trials. *Hepatology* 2010; 51: 1176–84.
- 45 Imai Y, Kawata S, Tamura S *et al.* Relation of interferon therapy and hepatocellular carcinoma in patients with chronic hepatitis C. Osaka Hepatocellular Carcinoma Prevention Study Group. *Ann Intern Med* 1998; 129: 94–9.
- 46 Okanoue T, Itoh Y, Minami M *et al.* Interferon therapy lowers the rate of progression to hepatocellular carcinoma in chronic hepatitis C but not significantly in an advanced stage: a retrospective study in 1148 patients. Viral Hepatitis Therapy Study Group. *J Hepatol* 1999; 30: 653–9.
- 47 Nishiguchi S, Kuroki T, Nakatani S *et al.* Randomised trial of effects of interferon-alpha on incidence of hepatocellular carcinoma in chronic active hepatitis C with cirrhosis. *Lancet* 1995; 346: 1051–5.
- 48 Di Bisceglie AM, Shiffman ML, Everson GT *et al.* Prolonged therapy of advanced chronic hepatitis C with low-dose peginterferon. *N Engl J Med* 2008; 359: 2429–41.
- 49 Lok AS, Seeff LB, Morgan TR *et al.* Incidence of hepatocellular carcinoma and associated risk factors in hepatitis C-related advanced liver disease. *Gastroenterology* 2009; 136: 138–48.
- 50 Bruix J, Poynard T, Colombo M *et al.* Maintenance therapy with peginterferon alfa-2b does not prevent hepatocellular carcinoma in cirrhotic patients with chronic hepatitis C. *Gastroenterology* 2011; 140: 1990–9.
- 51 Lok AS, Everhart JE, Wright EC *et al.* Maintenance peginterferon therapy and other factors associated with hepatocellular carcinoma in patients with advanced hepatitis C. *Gastroenterology* 2011; 140: 840–9. quiz e812.
- 52 Kajiwara E, Ooho A, Yamashita N. Effectiveness of biweekly low-dosage peginterferon treatment on the improvement of serum alanine aminotransferase and alpha-fetoprotein levels. *Hepatol Res* 2012; 42: 254–63.
- 53 Sumida Y, Nakamura T, Kobata T *et al.* Low dose peginterferon- α -2a therapy lowers ALT and AST levels significantly more than a glycyrrhizin formulation in patients with chronic hepatitis C. *Kanzo* 2011; 52: 644–51.
- 54 Di Bisceglie AM, Stoddard AM, Dienstag JL *et al.* Excess mortality in patients with advanced chronic hepatitis C treated with long-term peginterferon. *Hepatology* 2011; 53: 1100–8.
- 55 Nomura H, Kashiwagi Y, Hirano R *et al.* Efficacy of low dose long-term interferon monotherapy in aged patients with chronic hepatitis C genotype 1 and its relation to alpha-fetoprotein: a pilot study. *Hepatol Res* 2007; 37: 490–7.
- 56 Shiratori Y, Shiina S, Teratani T *et al.* Interferon therapy after tumor ablation improves prognosis in patients with hepatocellular carcinoma associated with hepatitis C virus. *Ann Intern Med* 2003; 138: 299–306.
- 57 Kudo M, Sakaguchi Y, Chung H *et al.* Long-term interferon maintenance therapy improves survival in patients with HCV-related hepatocellular carcinoma after curative radiofrequency ablation. A matched case-control study. *Oncology* 2007; 72 (Suppl 1): 132–8.
- 58 Sakaguchi Y, Kudo M, Fukunaga T, Minami Y, Chung H, Kawasaki T. Low-dose, long-term, intermittent interferon-alpha-2b therapy after radical treatment by radiofrequency ablation delays clinical recurrence in patients with hepatitis C virus-related hepatocellular carcinoma. *Inter-virology* 2005; 48: 64–70.
- 59 Hung CH, Lee CM, Wang JH, Tung HD, Chen CH, Lu SN. Antiviral therapy after non-surgical tumor ablation in patients with hepatocellular carcinoma associated with hepatitis C virus. *J Gastroenterol Hepatol* 2005; 20: 1553–9.
- 60 George SL, Bacon BR, Brunt EM, Mihindukulasuriya KL, Hoffmann J, Di Bisceglie AM. Clinical, virologic, histologic, and biochemical outcomes after successful HCV therapy: a 5-year follow-up of 150 patients. *Hepatology* 2009; 49: 729–38.
- 61 Morgan TR, Ghany MG, Kim HY *et al.* Outcome of sustained virological responders with histologically advanced chronic hepatitis C. *Hepatology* 2010; 52: 833–44.

- 62 Camma C, Di Marco V, Lo Iacono O *et al.* Long-term course of interferon-treated chronic hepatitis C. *J Hepatol* 1998; 28: 531–7.
- 63 Marcellin P, Boyer N, Gervais A *et al.* Long-term histologic improvement and loss of detectable intrahepatic HCV RNA in patients with chronic hepatitis C and sustained response to interferon- α therapy. *Ann Intern Med* 1997; 127: 875–81.
- 64 Pradat P, Tillmann HL, Sauleda S *et al.* Long-term follow-up of the hepatitis C HENCORE cohort: response to therapy and occurrence of liver-related complications. *J Viral Hepat* 2007; 14: 556–63.
- 65 Reichard O, Glaumann H, Fryden A, Norkrans G, Wejstal R, Weiland O. Long-term follow-up of chronic hepatitis C patients with sustained virological response to alpha-interferon. *J Hepatol* 1999; 30: 783–7.
- 66 Saracco G, Rosina F, Abate ML *et al.* Long-term follow-up of patients with chronic hepatitis C treated with different doses of interferon- α 2b. *Hepatology* 1993; 18: 1300–5.
- 67 Enokimura N, Shiraki K, Kawakita T *et al.* Hepatocellular carcinoma development in sustained viral responders to interferon therapy in patients with chronic hepatitis C. *Anticancer Res* 2003; 23: 593–6.
- 68 Iwasaki Y, Takaguchi K, Ikeda H *et al.* Risk factors for hepatocellular carcinoma in hepatitis C patients with sustained virologic response to interferon therapy. *Liver Int* 2004; 24: 603–10.
- 69 Shindo M, Hamada K, Oda Y, Okuno T. Long-term follow-up study of sustained biochemical responders with interferon therapy. *Hepatology* 2001; 33: 1299–302.
- 70 Takimoto M, Ohkoshi S, Ichida T *et al.* Interferon inhibits progression of liver fibrosis and reduces the risk of hepatocarcinogenesis in patients with chronic hepatitis C: a retrospective multicenter analysis of 652 patients. *Dig Dis Sci* 2002; 47: 170–6.
- 71 Tanaka H, Tsukuma H, Kasahara A *et al.* Effect of interferon therapy on the incidence of hepatocellular carcinoma and mortality of patients with chronic hepatitis C: a retrospective cohort study of 738 patients. *Int J Cancer* 2000; 87: 741–9.
- 72 Witkowski JT, Robins RK, Sidwell RW, Simon LN. Design, synthesis, and broad spectrum antiviral activity of 1-D-ribofuranosyl-1,2,4-triazole-3-carboxamide and related nucleosides. *J Med Chem* 1972; 15: 1150–4.
- 73 Lau JY, Tam RC, Liang TJ, Hong Z. Mechanism of action of ribavirin in the combination treatment of chronic HCV infection. *Hepatology* 2002; 35: 1002–9.
- 74 Bodenheimer HC, Jr, Lindsay KL, Davis GL, Lewis JH, Thung SN, Seeff LB. Tolerance and efficacy of oral ribavirin treatment of chronic hepatitis C: a multicenter trial. *Hepatology* 1997; 26: 473–7.
- 75 Dusheiko G, Main J, Thomas H *et al.* Ribavirin treatment for patients with chronic hepatitis C: results of a placebo-controlled study. *J Hepatol* 1996; 25: 591–8.
- 76 Reichard O, Andersson J, Schvarcz R, Weiland O. Ribavirin treatment for chronic hepatitis C. *Lancet* 1991; 337: 1058–61.
- 77 Schvarcz R, Ando Y, Sonnerborg A, Weiland O. Combination treatment with interferon α -2b and ribavirin for chronic hepatitis C in patients who have failed to achieve sustained response to interferon alone: Swedish experience. *J Hepatol* 1995; 23 (Suppl 2): 17–21.
- 78 Fried MW, Shiffman ML, Reddy KR *et al.* Peginterferon α -2a plus ribavirin for chronic hepatitis C virus infection. *N Engl J Med* 2002; 347: 975–82.
- 79 Manns MP, McHutchison JG, Gordon SC *et al.* Peginterferon α -2b plus ribavirin compared with interferon α -2b plus ribavirin for initial treatment of chronic hepatitis C: a randomised trial. *Lancet* 2001; 358: 958–65.
- 80 Chugai Pharmaceutical. Antiviral agent “Copegus” tablets package insert. 2011.
- 81 MSD. Antiviral agent “Rebetol” capsules package insert. 2011.
- 82 Yamada G, Iino S, Okuno T *et al.* Virological response in patients with hepatitis C virus genotype 1b and a high viral load: impact of peginterferon- α -2a plus ribavirin dose reductions and host-related factors. *Clin Drug Investig* 2008; 28: 9–16.
- 83 Iino S, Okita K, Omata M, Kumada H, Hayashi N, Tanikawa K. Efficacy of 48 weeks’ peginterferon- α -2b plus ribavirin combination therapy in patients with chronic hepatitis C genotype 1 and a high viral load – retrospective comparison with 6 months’ interferon- α -2b plus ribavirin combination therapy. *Kan-Tan-Sui* 2004; 49: 1099–121.
- 84 Kuboki M, Iino S, Okuno T *et al.* Peginterferon α -2a (40 KD) plus ribavirin for the treatment of chronic hepatitis C in Japanese patients. *J Gastroenterol Hepatol* 2007; 22: 645–52.
- 85 Kumada H, Toyota I, Coto K *et al.* Efficacy of 24 weeks’ peginterferon- α -2b plus ribavirin combination therapy in patients with chronic hepatitis C genotype 1 and a low viral load – retrospective comparison with 24 weeks’ interferon- α -2b plus ribavirin combination therapy. *Kan-Tan-Sui* 2006; 52: 645–63.
- 86 Hiramatsu N, Kurashige N, Oze T *et al.* Early decline of hemoglobin can predict progression of hemolytic anemia during pegylated interferon and ribavirin combination therapy in patients with chronic hepatitis C. *Hepatology Res* 2008; 38: 52–9.
- 87 Fellay J, Thompson AJ, Ge D *et al.* ITPA gene variants protect against anaemia in patients treated for chronic hepatitis C. *Nature* 2010; 464: 405–8.
- 88 Ochi H, Maekawa T, Abe H *et al.* ITPA polymorphism affects ribavirin-induced anemia and outcomes of therapy

- a genome-wide study of Japanese HCV virus patients. *Gastroenterology* 2010; 139: 1190–7.
- 89 Azakami T, Hayes CN, Sezaki H *et al.* Common genetic polymorphism of ITPA gene affects ribavirin-induced anemia and effect of peg-interferon plus ribavirin therapy. *J Med Virol* 2011; 83: 1048–57.
- 90 Lin C, Lin K, Luong YP *et al.* In vitro resistance studies of hepatitis C virus serine protease inhibitors, VX-950 and BILN 2061: structural analysis indicates different resistance mechanisms. *J Biol Chem* 2004; 279: 17508–14.
- 91 Lin C, Kwong AD, Perni RB. Discovery and development of VX-950, a novel, covalent, and reversible inhibitor of hepatitis C virus NS3.4A serine protease. *Infect Disord Drug Targets* 2006; 6: 3–16.
- 92 Torii H. All about hepatitis C – skin reactions to telaprevir and countermeasures. *Kan-Tan-Sui* 2011; 63: 1188–93.
- 93 Thompson AJ, Fellay J, Patel K *et al.* Variants in the ITPA gene protect against ribavirin-induced hemolytic anemia and decrease the need for ribavirin dose reduction. *Gastroenterology* 2010; 139: 1181–9.
- 94 Suzuki F, Suzuki Y, Akuta N *et al.* Influence of ITPA polymorphisms on decreases of hemoglobin during treatment with pegylated interferon, ribavirin, and telaprevir. *Hepatology* 2011; 53: 415–21.
- 95 Mitsubishi Tanabe Pharma. Antiviral agent “Telavic 250 mg tablets” package insert. 2011.
- 96 Ozeki I, Akaike I, Karino Y *et al.* Antiviral effects of peginterferon alpha-2b and ribavirin following 24-week monotherapy of telaprevir in Japanese hepatitis C patients. *J Gastroenterol* 2011; 46: 929–37.
- 97 Sarrazin C, Kieffer TL, Bartels D *et al.* Dynamic hepatitis C virus genotypic and phenotypic changes in patients treated with the protease inhibitor telaprevir. *Gastroenterology* 2007; 132: 1767–77.
- 98 Yamada I, Suzuki F, Kamiya N *et al.* Safety, pharmacokinetics and resistant variants of telaprevir alone for 12 weeks in hepatitis C virus genotype 1b infection. *J Viral Hepat* 2012; 19: e112–119.
- 99 Jacobson IM, McHutchison JG, Dusheiko G *et al.* Telaprevir for previously untreated chronic hepatitis C virus infection. *N Engl J Med* 2011; 364: 2405–16.
- 100 Zeuzem S, Andreone P, Pol S *et al.* Telaprevir for retreatment of HCV infection. *N Engl J Med* 2011; 364: 2417–28.
- 101 Ghany MG, Nelson DR, Strader DB, Thomas DL, Seeff LB, American Association for Study of Liver D. An update on treatment of genotype 1 chronic hepatitis C virus infection: 2011 practice guideline by the American Association for the Study of Liver Diseases. *Hepatology* 2011; 54: 1433–44.
- 102 Hayes CN, Kobayashi M, Akuta N *et al.* HCV substitutions and IL28B polymorphisms on outcome of peg-interferon plus ribavirin combination therapy. *Gut* 2011; 60: 261–7.
- 103 Kurosaki M, Tanaka Y, Nishida N *et al.* Pre-treatment prediction of response to pegylated-interferon plus ribavirin for chronic hepatitis C using genetic polymorphism in IL28B and viral factors. *J Hepatol* 2011; 54: 439–48.
- 104 Tanaka Y, Nishida N, Sugiyama M *et al.* Genome-wide association of IL28B with response to pegylated interferon-alpha and ribavirin therapy for chronic hepatitis C. *Nat Genet* 2009; 41: 1105–9.
- 105 Oze T, Hiramatsu N, Yakushijin T *et al.* Indications and limitations for aged patients with chronic hepatitis C in pegylated interferon alfa-2b plus ribavirin combination therapy. *J Hepatol* 2011; 54: 604–11.
- 106 Kogure T, Ueno Y, Fukushima K *et al.* Pegylated interferon plus ribavirin for genotype 1b chronic hepatitis C in Japan. *World J Gastroenterol* 2008; 14: 7225–30.
- 107 Sezaki H, Suzuki F, Kawamura Y *et al.* Poor response to pegylated interferon and ribavirin in older women infected with hepatitis C virus of genotype 1b in high viral loads. *Dig Dis Sci* 2009; 54: 1317–24.
- 108 Akuta N, Suzuki F, Kawamura Y *et al.* Predictive factors of early and sustained responses to peginterferon plus ribavirin combination therapy in Japanese patients infected with hepatitis C virus genotype 1b: amino acid substitutions in the core region and low-density lipoprotein cholesterol levels. *J Hepatol* 2007; 46: 403–10.
- 109 Akuta N, Suzuki F, Sezaki H *et al.* Association of amino acid substitution pattern in core protein of hepatitis C virus genotype 1b high viral load and non-virological response to interferon-ribavirin combination therapy. *Intervirology* 2005; 48: 372–80.
- 110 Enomoto N, Sakuma I, Asahina Y *et al.* Comparison of full-length sequences of interferon-sensitive and resistant hepatitis C virus 1b. Sensitivity to interferon is conferred by amino acid substitutions in the NS5A region. *J Clin Invest* 1995; 96: 224–30.
- 111 Enomoto N, Sakuma I, Asahina Y *et al.* Mutations in the nonstructural protein 5A gene and response to interferon in patients with chronic hepatitis C virus 1b infection. *N Engl J Med* 1996; 334: 77–81.
- 112 Shirakawa H, Matsumoto A, Joshita S *et al.* Pretreatment prediction of virological response to peginterferon plus ribavirin therapy in chronic hepatitis C patients using viral and host factors. *Hepatology* 2008; 48: 1753–60.
- 113 El-Shamy A, Nagano-Fujii M, Sasase N, Imoto S, Kim SR, Hotta H. Sequence variation in hepatitis C virus nonstructural protein 5A predicts clinical outcome of pegylated interferon/ribavirin combination therapy. *Hepatology* 2008; 48: 38–47.
- 114 Oze T, Hiramatsu N, Yakushijin T *et al.* Viral suppression at week 4 exceeds the IL28B SNP for predicting SVR in pegylated interferon plus ribavirin combination therapy of genotype 1 infected patients with chronic hepatitis C. *Hepatology* 2011; 54: 852A.

- 115 Davis GL, Wong JB, McHutchison JG, Manns MP, Harvey J, Albrecht J. Early virologic response to treatment with peginterferon alfa-2b plus ribavirin in patients with chronic hepatitis C. *Hepatology* 2003; 38: 645–52.
- 116 Ghany MG, Strader DB, Thomas DL, Seeff LB. American Association for the Study of Liver D. Diagnosis, management, and treatment of hepatitis C: an update. *Hepatology* 2009; 49: 1335–74.
- 117 Berg T, von Wagner M, Nasser S *et al.* Extended treatment duration for hepatitis C virus type 1: comparing 48 versus 72 weeks of peginterferon-alfa-2a plus ribavirin. *Gastroenterology* 2006; 130: 1086–97.
- 118 Oze T, Hiramatsu N, Yakushijin T *et al.* The efficacy of extended treatment with pegylated interferon plus ribavirin in patients with HCV genotype 1 and slow virologic response in Japan. *J Gastroenterol* 2011; 46: 944–52.
- 119 Pearlman BL, Ehleben C, Saifee S. Treatment extension to 72 weeks of peginterferon and ribavirin in hepatitis c genotype 1-infected slow responders. *Hepatology* 2007; 46: 1688–94.
- 120 Watanabe S, Enomoto N, Koike K *et al.* Prolonged treatment with pegylated interferon alpha 2b plus ribavirin improves sustained virological response in chronic hepatitis C genotype 1 patients with late response in a clinical real-life setting in Japan. *Hepatol Res* 2010; 40: 135–44.
- 121 Akuta N, Suzuki F, Hirakawa M *et al.* A matched case-controlled study of 48 and 72 weeks of peginterferon plus ribavirin combination therapy in patients infected with HCV genotype 1b in Japan: amino acid substitutions in HCV core region as predictor of sustained virological response. *J Med Virol* 2009; 81: 452–8.
- 122 Research Group for Standardisation of Latest Treatment Methods for Viral Hepatitis. Guidelines for the Management of Chronic Hepatitis C. 2012.
- 123 Sezaki H, Suzuki F, Kawamura Y *et al.* Evaluation of long-term biochemical responses to combination therapy of interferon plus ribavirin in those infected with hepatitis C virus genotype 1b and high baseline viral load. *Hepatol Res* 2007; 37: 787–92.
- 124 McHutchison JG, Manns M, Patel K *et al.* Adherence to combination therapy enhances sustained response in genotype-1-infected patients with chronic hepatitis C. *Gastroenterology* 2002; 123: 1061–9.
- 125 Reddy KR, Shiffman ML, Morgan TR *et al.* Impact of ribavirin dose reductions in hepatitis C virus genotype 1 patients completing peginterferon alfa-2a/ribavirin treatment. *Clin Gastroenterol Hepatol* 2007; 5: 124–9.
- 126 Shiffman ML, Ghany MG, Morgan TR *et al.* Impact of reducing peginterferon alfa-2a and ribavirin dose during retreatment in patients with chronic hepatitis C. *Gastroenterology* 2007; 132: 103–12.
- 127 Shiffman ML, Salvatore J, Hubbard S *et al.* Treatment of chronic hepatitis C virus genotype 1 with peginterferon, ribavirin, and epoetin alpha. *Hepatology* 2007; 46: 371–9.
- 128 Oze T, Hiramatsu N, Yakushijin T *et al.* Pegylated interferon alpha-2b (Peg-IFN alpha-2b) affects early virologic response dose-dependently in patients with chronic hepatitis C genotype 1 during treatment with Peg-IFN alpha-2b plus ribavirin. *J Viral Hepat* 2009; 16: 578–85.
- 129 Hiramatsu N, Oze T, Yakushijin T *et al.* Ribavirin dose reduction raises relapse rate dose-dependently in genotype 1 patients with hepatitis C responding to pegylated interferon alpha-2b plus ribavirin. *J Viral Hepat* 2009; 16: 586–94.
- 130 Akuta N, Suzuki F, Hirakawa M *et al.* Amino acid substitution in hepatitis C virus core region and genetic variation near the interleukin 28B gene predict viral response to telaprevir with peginterferon and ribavirin. *Hepatology* 2010; 52: 421–9.
- 131 Nasu A, Marusawa H, Ueda Y *et al.* Genetic heterogeneity of hepatitis C virus in association with antiviral therapy determined by ultra-deep sequencing. *PLoS ONE* 2011; 6: e24907.
- 132 Sherman KE, Flamm SL, Afdhal NH *et al.* Response-guided telaprevir combination treatment for hepatitis C virus infection. *N Engl J Med* 2011; 365: 1014–24.
- 133 Toray. Natural beta interferon formulation “Feron injectable” package insert. 2011.
- 134 Iwasaki Y, Shiratori Y, Hige S *et al.* A randomized trial of 24 versus 48 weeks of peginterferon alpha-2a in patients infected with chronic hepatitis C virus genotype 2 or low viral load genotype 1: a multicenter national study in Japan. *Hepatol Int* 2009; 3: 468–79.
- 135 Zeuzem S, Feinman S, Rasenack J *et al.* Evaluation of the safety and efficacy of once-weekly Peg/interferon alfa-2A (PegASYS™) for chronic hepatitis C. A multinational, randomized study. *J Hepatol* 2000; 32(Suppl. 1): 29.
- 136 Arase Y, Suzuki F, Akuta N *et al.* Combination therapy of peginterferon and ribavirin for chronic hepatitis C patients with genotype 1b and low-virus load. *Intern Med* 2009; 48: 253–8.
- 137 Irishio K, Imai Y, Mita E *et al.* Efficacy of Peg-IFN- α -2a monotherapy in patients with chronic hepatitis C serotype 2. *Kanzo* 2011; 52: 236–43.
- 138 Sato Y, Tokue H, Kawamura N *et al.* Short-term interferon therapy for chronic hepatitis C patients with low viral load. *Hepatogastroenterology* 2004; 51: 968–72.
- 139 Inoue Y, Hiramatsu N, Oze T *et al.* Factors affecting efficacy in patients with genotype 2 chronic hepatitis C treated by pegylated interferon alpha-2b and ribavirin: reducing drug doses has no impact on rapid and sustained virological responses. *J Viral Hepat* 2010; 17: 336–44.
- 140 Jensen DM, Marcellin P, Freilich B *et al.* Re-treatment of patients with chronic hepatitis C who do not respond to peginterferon-alpha2b: a randomized trial. *Ann Intern Med* 2009; 150: 528–40.
- 141 Oze T, Hiramatsu N, Yakushijin T *et al.* Efficacy of re-treatment with pegylated interferon plus ribavirin

- combination therapy for patients with chronic hepatitis C in Japan. *J Gastroenterol* 2011; 46: 1031–7.
- 142 Poynard T, Colombo M, Bruix J *et al*. Peginterferon alfa-2b and ribavirin: effective in patients with hepatitis C who failed interferon alfa/ribavirin therapy. *Gastroenterology* 2009; 136: 1618–28, e1612.
 - 143 Pol S, Aerssens J, Zeuzem S *et al*. Similar SVR rates in IL28B CC, CT or TT prior relapser partial- or null-responder patients treated with telaprevir/peginterferon/ribavirin: retrospective analysis of the realize study. *J Hepatol* 2011; 54: S6–S7.
 - 144 Muir AJ, Poordad FF, McLHutchison JG *et al*. Retreatment with telaprevir combination therapy in hepatitis C patients with well-characterized prior treatment response. *Hepatology* 2011; 54: 1538–46.
 - 145 Taliani G, Gemignani G, Ferrari C *et al*. Pegylated interferon alfa-2b plus ribavirin in the retreatment of interferon-ribavirin nonresponder patients. *Gastroenterology* 2006; 130: 1098–106.
 - 146 Jacobson IM, Gonzalez SA, Ahmed F *et al*. A randomized trial of pegylated interferon alpha-2b plus ribavirin in the retreatment of chronic hepatitis C. *Am J Gastroenterol* 2005; 100: 2453–62.
 - 147 Zeuzem S, Andreone P, Pol S *et al*. Telaprevir for retreatment of HCV infection. *N Engl J Med* 2011; 364: 2417–28.
 - 148 Kanda T, Imazeki F, Azemoto R *et al*. Response to peginterferon-alfa 2b and ribavirin in Japanese patients with chronic hepatitis C genotype 2. *Dig Dis Sci* 2011; 56: 3335–42.
 - 149 Abergel A, Hezode C, Leroy V *et al*. Peginterferon alpha-2b plus ribavirin for treatment of chronic hepatitis C with severe fibrosis: a multicentre randomized controlled trial comparing two doses of peginterferon alpha-2b. *J Viral Hepat* 2006; 13: 811–20.
 - 150 Helbling B, Jochum W, Stamenic I *et al*. HCV-related advanced fibrosis/cirrhosis: randomized controlled trial of pegylated interferon alpha-2a and ribavirin. *J Viral Hepat* 2006; 13: 762–9.
 - 151 Di Marco V, Almasio PL, Ferraro D *et al*. Peg-interferon alone or combined with ribavirin in HCV cirrhosis with portal hypertension: a randomized controlled trial. *J Hepatol* 2007; 47: 484–91.
 - 152 Izumi N, Kaneko S, Nishiguchi S, Kudo M, Sata M, Omata M. Efficacy and safety of peginterferon- α -2a plus ribavirin combination therapy in the treatment of patients with chronic hepatitis C and compensated cirrhosis – a Phase II/III clinical trial. *Gastroenterology* 2011; 53: 335–42.
 - 153 Bruno S, Shiffman ML, Roberts SK *et al*. Efficacy and safety of peginterferon alfa-2a (40KD) plus ribavirin in hepatitis C patients with advanced fibrosis and cirrhosis. *Hepatology* 2010; 51: 388–97.
 - 154 Roffi L, Collaredo G, Pioltelli P *et al*. Pegylated interferon-alpha2b plus ribavirin: an efficacious and well-tolerated treatment regimen for patients with hepatitis C virus related histologically proven cirrhosis. *Antivir Ther* 2008; 13: 663–73.
 - 155 MSD. Peginterferon- α -2b formulation “Pegintron subcutaneous injectable” package insert. 2011.
 - 156 Chugai Pharmaceutical. Peginterferon- α -2a formulation “Pegasys subcutaneous injectable” package insert. 2011.
 - 157 Suzuki H, Nishigaki M, Kumada H. Interferon beta (IFN- β) therapy in patients with chronic hepatitis C and compensated cirrhosis with low viral loads, and other than serotype 1. *Jpn J Med Pharm Sci* 2006; 56: 227–51.
 - 158 Kumada H, Kakumu S, Okanoue T, Tsubouchi H, Hayashi N. Efficacy and safety of a natural interferon- α formulation (HILBI) in patients with chronic hepatitis C and compensated cirrhosis – a multicentre collaborative study. *Jpn J Med Pharm Sci* 2008; 59: 599–620.
 - 159 Heathcote EJ, Shiffman ML, Cooksley WG *et al*. Peginterferon alfa-2a in patients with chronic hepatitis C and cirrhosis. *N Engl J Med* 2000; 343: 1673–80.
 - 160 Daiippon Sumitomo Pharma. Natural interferon- α formulation “Sumiferon injectable” package insert. 2012.
 - 161 Forman IM, Lewis JD, Berlin JA, Feldman HI, Lucey MR. The association between hepatitis C infection and survival after orthotopic liver transplantation. *Gastroenterology* 2002; 122: 889–96.
 - 162 Terrault NA, Berenguer M. Treating hepatitis C infection in liver transplant recipients. *Liver Transpl* 2006; 12: 1192–204.
 - 163 Annicchiarico BE, Siciliano M, Avolio AW *et al*. Treatment of chronic hepatitis C virus infection with pegylated interferon and ribavirin in cirrhotic patients awaiting liver transplantation. *Transplant Proc* 2008; 40: 1918–20.
 - 164 Forns X, Garcia-Retortillo M, Serrano T *et al*. Antiviral therapy of patients with decompensated cirrhosis to prevent recurrence of hepatitis C after liver transplantation. *J Hepatol* 2003; 39: 389–96.
 - 165 Iacobellis A, Siciliano M, Perri F *et al*. Peginterferon alfa-2b and ribavirin in patients with hepatitis C virus and decompensated cirrhosis: a controlled study. *J Hepatol* 2007; 46: 206–12.
 - 166 Carrion JA, Martinez-Bauer E, Crespo G *et al*. Antiviral therapy increases the risk of bacterial infections in HCV-infected cirrhotic patients awaiting liver transplantation: a retrospective study. *J Hepatol* 2009; 50: 719–28.
 - 167 Foruny JR, Blazquez J, Moreno A *et al*. Safe use of pegylated interferon/ribavirin in hepatitis C virus cirrhotic patients with hypersplenism after partial splenic embolization. *Eur J Gastroenterol Hepatol* 2005; 17: 1157–64.
 - 168 Miyake Y, Ando M, Kaji E, Toyokawa T, Nakatsu M, Hirohata M. Partial splenic embolization prior to combination therapy of interferon and ribavirin in chronic hepatitis C patients with thrombocytopenia. *Hepatol Res* 2008; 38: 980–6.
 - 169 Morihara D, Kobayashi M, Ikeda K *et al*. Effectiveness of combination therapy of splenectomy and long-term inter-

- feron in patients with hepatitis C virus-related cirrhosis and thrombocytopenia. *Hepatol Res* 2009; 39: 439–47.
- 170 Ogata T, Kage M. Re-examination of splenectomy in patients with hepatic cirrhosis – changes, risks and benefits. *Kanzo* 2010; 51: 205–18.
 - 171 McHutchison JG, Dusheiko G, Shiffman ML *et al.* Eltrombopag for thrombocytopenia in patients with cirrhosis associated with hepatitis C. *N Engl J Med* 2007; 357: 2227–36.
 - 172 Harada N, Hiramatsu N, Oze T *et al.* Incidence of hepatocellular carcinoma in HCV-infected patients with normal alanine aminotransferase levels categorized by Japanese treatment guidelines. *J Gastroenterol* 2012 Sep. 14 [Epub].
 - 173 Hiramatsu N, Inoue Y, Oze T *et al.* Efficacy of pegylated interferon plus ribavirin combination therapy for hepatitis C patients with normal ALT levels: a matched case-control study. *J Gastroenterol* 2011; 46: 1335–43.
 - 174 Kainuma M, Furusyo N, Azuma K *et al.* Pegylated interferon alpha-2b plus ribavirin for Japanese chronic hepatitis C patients with normal alanine aminotransferase. *Hepatol Res* 2012; 42: 33–41.
 - 175 Ikegami T, Matsuzaki Y. Ursodeoxycholic acid: mechanism of action and novel clinical applications. *Hepatol Res* 2008; 38: 123–31.
 - 176 Omata M, Yoshida H, Toyota J *et al.* A large-scale, multicentre, double-blind trial of ursodeoxycholic acid in patients with chronic hepatitis C. *Gut* 2007; 56: 1747–53.
 - 177 Takano S, Ito Y, Yokosuka O *et al.* A multicenter randomized controlled dose study of ursodeoxycholic acid for chronic hepatitis C. *Hepatology* 1994; 20: 558–64.
 - 178 Tarao K, Fujiyama S, Ohkawa S *et al.* Ursodiol use is possibly associated with lower incidence of hepatocellular carcinoma in hepatitis C virus-associated liver cirrhosis. *Cancer Epidemiol Biomarkers Prev* 2005; 14: 164–9.
 - 179 Suzuki F, Ohta T, Takino T, Fujisawa K, Hirayama C. Effects logic examination. Seventy-one patients in Group A of glycyrrhizin on biochemical tests in patients with chronic hepatitis. Double-blind trial. *Asian Med J* 1983; 26: 423–38.
 - 180 Suzuki H. Therapeutic effect of stronger neo-minophagen in patients with chronic hepatitis C – a double blind trial. *Jpn J Clin Exp Med* 1977; 102: 562.
 - 181 Iino S, Tango T, Matsushima T *et al.* Therapeutic effects of stronger neo-minophagen C at different doses on chronic hepatitis and liver cirrhosis. *Hepatol Res* 2001; 19: 31–40.
 - 182 Miyake K, Tango T, Ota Y *et al.* Efficacy of Stronger Neo-Minophagen C compared between two doses administered three times a week on patients with chronic viral hepatitis. *J Gastroenterol Hepatol* 2002; 17: 1198–204.
 - 183 Kumada H. Long-term treatment of chronic hepatitis C with glycyrrhizin [stronger neo-minophagen C (SNMC)] for preventing liver cirrhosis and hepatocellular carcinoma. *Oncology* 2002; 62 (Suppl 1): 94–100.
 - 184 Arase Y, Ikeda K, Murashima N *et al.* The long term efficacy of glycyrrhizin in chronic hepatitis C patients. *Cancer* 1997; 79: 1494–500.
 - 185 Ikeda K. Glycyrrhizin injection therapy prevents hepatocellular carcinogenesis in patients with interferon-resistant active chronic hepatitis C. *Hepatol Res* 2007; 37 (Suppl 2): S287–293.
 - 186 Ikeda K, Arase Y, Kobayashi M *et al.* A long-term glycyrrhizin injection therapy reduces hepatocellular carcinogenesis rate in patients with interferon-resistant active chronic hepatitis C: a cohort study of 1249 patients. *Dig Dis Sci* 2006; 51: 603–9.
 - 187 Tsubota A, Kumada H, Arase Y *et al.* Combined ursodeoxycholic acid and glycyrrhizin therapy for chronic hepatitis C virus infection: a randomized controlled trial in 170 patients. *Eur J Gastroenterol Hepatol* 1999; 11: 1077–83.
 - 188 Hayashi H, Takikawa T, Nishimura N, Yano M, Isomura T, Sakamoto N. Improvement of serum aminotransferase levels after phlebotomy in patients with chronic active hepatitis C and excess hepatic iron. *Am J Gastroenterol* 1994; 89: 986–8.
 - 189 Yano M, Hayashi H, Yoshioka K *et al.* A significant reduction in serum alanine aminotransferase levels after 3-month iron reduction therapy for chronic hepatitis C: a multicenter, prospective, randomized, controlled trial in Japan. *J Gastroenterol* 2004; 39: 570–4.
 - 190 Kato J, Miyanishi K, Kobune M *et al.* Long-term phlebotomy with low-iron diet therapy lowers risk of development of hepatocellular carcinoma from chronic hepatitis C. *J Gastroenterol* 2007; 42: 830–6.
 - 191 Kawamura Y, Akuta N, Sezaki H *et al.* Determinants of serum ALT normalization after phlebotomy in patients with chronic hepatitis C infection. *J Gastroenterol* 2005; 40: 901–6.
 - 192 Kato J, Kobune M, Nakamura T *et al.* Normalization of elevated hepatic 8-hydroxy-2'-deoxyguanosine levels in chronic hepatitis C patients by phlebotomy and low iron diet. *Cancer Res* 2001; 61: 8697–702.
 - 193 Sartori M, Andorno S, Rossini A *et al.* A case-control histological study on the effects of phlebotomy in patients with chronic hepatitis C. *Eur J Gastroenterol Hepatol* 2011; 23: 1178–84.
 - 194 Wakusawa S, Ikeda R, Takikawa T, Hayashi H, Yano M, Yoshioka K. Combined phlebotomy and ursodeoxycholic acid treatment in the patients with chronic hepatitis C. *Hepatol Res* 2000; 18: 54–62.
 - 195 Tanaka N, Horiuchi A, Yamaura T *et al.* Efficacy and safety of addition of minor bloodletting (petit phlebotomy) in hepatitis C virus-infected patients receiving regular glycyrrhizin injections. *J Gastroenterol* 2009; 44: 577–82.

Association of Gene Expression Involving Innate Immunity and Genetic Variation in Interleukin 28B With Antiviral Response

Yasuhiro Asahina,¹ Kaoru Tsuchiya,¹ Masaru Muraoka,^{1,2} Keisuke Tanaka,^{1,2} Yuichiro Suzuki,^{1,2} Nobuharu Tamaki,¹ Yoshihide Hoshioka,¹ Yutaka Yasui,¹ Tomoji Katoh,¹ Takanori Hosokawa,¹ Ken Ueda,¹ Hiroyuki Nakanishi,¹ Jun Itakura,¹ Yuka Takahashi,¹ Masayuki Kurosaki,¹ Nobuyuki Enomoto,² Sayuri Nitta,³ Naoya Sakamoto,³ and Namiki Izumi¹

Innate immunity plays an important role in host antiviral response to hepatitis C viral (HCV) infection. Recently, single nucleotide polymorphisms (SNPs) of *IL28B* and host response to peginterferon α (PEG-IFN α) and ribavirin (RBV) were shown to be strongly associated. We aimed to determine the gene expression involving innate immunity in *IL28B* genotypes and elucidate its relation to response to antiviral treatment. We genotyped *IL28B* SNPs (rs8099917 and rs12979860) in 88 chronic hepatitis C patients treated with PEG-IFN α -2b/RBV and quantified expressions of viral sensors (*RIG-I*, *MDA5*, and *LGP2*), adaptor molecule (*IPS-1*), related ubiquitin E3-ligase (*RNF125*), modulators (*ISG15* and *USP18*), and *IL28* (*IFN λ*). Both *IL28B* SNPs were 100% identical; 54 patients possessed rs8099917 TT/rs12979860 CC (*IL28B* major patients) and 34 possessed rs8099917 TG/rs12979860 CT (*IL28B* minor patients). Hepatic expressions of viral sensors and modulators in *IL28B* minor patients were significantly up-regulated compared with that in *IL28B* major patients (≈ 3.3 -fold, $P < 0.001$). However, expression of *IPS-1* was significantly lower in *IL28B* minor patients (1.2-fold, $P = 0.028$). Expressions of viral sensors and modulators were significantly higher in nonvirological responders (NVR) than that in others despite stratification by *IL28B* genotype (≈ 2.6 -fold, $P < 0.001$). Multivariate and ROC analyses indicated that higher *RIG-I* and *ISG15* expressions and *RIG-I/IPS-1* expression ratio were independent factors for NVR. *IPS-1* down-regulation in *IL28B* minor patients was confirmed by western blotting, and the extent of *IPS-1* protein cleavage was associated with the variable treatment response. **Conclusion:** Gene expression involving innate immunity is strongly associated with *IL28B* genotype and response to PEG-IFN α /RBV. Both *IL28B* minor allele and higher *RIG-I* and *ISG15* expressions and *RIG-I/IPS-1* ratio are independent factors for NVR. (HEPATOLOGY 2012;55:20-29)

Infection with hepatitis C virus (HCV) is a common cause of chronic hepatitis, which progresses to liver cirrhosis and hepatocellular carcinoma in many patients.¹ Pegylated interferon α (PEG-IFN α) and ribavirin (RBV) combination therapy has been used to treat chronic hepatitis C (CH-C) to alter the

natural course of this disease. However, 20% patients are nonvirological responders (NVR) whose HCV-RNA does not become negative during the 48 weeks of PEG-IFN α /RBV combination therapy.² In a recent genome-wide association study, single nucleotide polymorphisms (SNPs) located near interleukin 28B

Abbreviations: CH-C, chronic hepatitis C; γ -GTP, γ -glutamyl transpeptidase; GAPDH, glyceraldehyde-3-phosphate dehydrogenase; HCV, hepatitis C virus; HMBS, hydroxymethylbilane synthase; IL28, interleukin 28; IPS-1, IFN β promoter stimulator 1; ISG15, interferon-stimulated gene 15; MDA5, melanoma differentiation associated gene 5; NVR, nonvirological responders; PEG-IFN α , pegylated interferon α ; SNP, single nucleotide polymorphism; RIG-I, retinoic acid-inducible gene 1; RBV, ribavirin; RNF125, ring-finger protein 125; ROC, receiver operator characteristic; SVR, sustained viral responder; TVR, transient virological responder; USP18, ubiquitin-specific protease 18; VR, virological responder.

From the ¹Department of Gastroenterology and Hepatology, Musashino Red Cross Hospital, Tokyo, Japan; ²First Department of Internal Medicine, Faculty of Medicine, University of Yamaguchi, Yamaguchi, Japan; ³Department of Gastroenterology and Hepatology, Tokyo Medical and Dental University, Tokyo, Japan.

Received May 14, 2011; accepted August 16, 2011.

Supported by grants from the Japanese Ministry of Education, Culture, Sports, Science and Technology and the Japanese Ministry of Welfare, Health and Labor. The funding source had no role in the collection, analysis, or interpretation of the data, or in the decision to submit the article for publication.