

that p7 protein forms an ion channel in artificial lipid bilayers, suggesting it may function as a viroporin [51,52].

### 3.4. NS2 protein

The NS2 protein is a transmembrane protein of 21–23 kDa, with 96 highly hydrophobic N-terminal residues, forming either three or four transmembrane helices that insert into the ER membrane. The C-terminal part of NS2 presumably resides in the cytoplasm enabling zinc-stimulated NS2/3 autoprotease activity together with the N-terminal domain of NS3. Efficient cleavage at the NS2/3 site requires the 130 C-terminal residues and first 180 aa of the NS3. Site-directed mutagenesis has revealed that His-952, Glu-972, and Cys-993 may comprise the active site for proteolytic activity [53,54]. Deletion of NS2 from the nonstructural polyprotein has not been observed to abolish HCV RNA replication in cell cultures, indicating that NS2 is not essential for viral RNA replication [55,56]. However, the NS2 protein is essential for completion of the viral replication cycle *in vitro* and *in vivo* [57,58]. A recent report regarding the crystal structure of the C-terminus of NS2 suggests that the cytoplasmic domain of NS2 forms a dimeric cysteine protease with two composite active sites, in which His-952 and Glu-972 comprise the active site of one monomer, and Cys-993 contributes to the active site of the other [59].

### 3.5. NS3–4A complex

NS3–4A is a complex bifunctional molecule essential for viral polyprotein processing and RNA replication. NS3 is a fairly hydrophobic protein of 69 kDa with a serine protease encoded by its N-terminal one-third region that non-covalently binds the NS4A cofactor, which is a 54-aa polypeptide [reviewed in 60]. The catalytic triad is formed by residues His-1083, Asp-1107 and Ser-1165 of NS3. The central portion of NS4A is important for efficient processing of the nonstructural proteins by NS3. It has been suggested that the N-terminus of NS4A might form a transmembrane helix that anchors the NS3–4A complex to the cellular membrane [61]. Crystal structural analyses of the NS3/4A complex have demonstrated structural similarities between the NS3 serine protease and trypsin, with two large domains primarily composed of six-stranded beta barrels separated by a cleft containing the active site and substrate binding pocket [62–64]. Of note, NS4A forms an integral part of this structure and interacts with the extreme N-terminal residues of NS3 to form two additional anti-parallel beta-strands. The NS3–4A complex has a shallow substrate-binding pocket, thus requiring extended interaction sites with the substrate.

The final 442 aa of the C-terminal of NS3 comprise the helicase-NTPase domain, which is a member of the superfamily-2 DexH/D-box helicase, which unwind RNA-RNA substrates in a 3'-to -5' direction [reviewed in 65]. This is supported by crystal structure analysis indicating the presence of NTPase domains and RNA binding within the protein [66]. During RNA replication, the NS3 helicase is believed to translocate along the nucleic acid substrate by changing its protein conformation, utilizing the energy of NTP hydrolysis [67–69]. Its helicase activity is

positively modulated by the NS3 protease domain and NS4A [70].

### 3.6. NS4B protein

NS4B is an integral membrane protein of 27 kDa, which is predicted to contain at least four transmembrane domains and an N-terminal amphipathic helix that is responsible for membrane association [71]. NS4B has the ability to induce the formation of a specialized membrane compartment, a sort of membranous web where viral RNA replication may take place [72,73].

### 3.7. NS5A protein

NS5A is a membrane-anchored phosphoprotein that is observed in basally phosphorylated (56 kDa) and hyperphosphorylated (58 kDa) forms. Based on the results of a comparative sequence analysis following limited proteolysis of purified protein, NS5A is predicted to contain three domains: domain 1 (aa 1–213), domain 2 (aa 250–342) and domain 3 (aa 356–447) [74]. A recent structural study has demonstrated that domain 1 immediately follows the membrane-anchoring alpha-helix and forms a dimeric structure with an unconventional zinc-coordinating motif [75]. Thus, it may interact with viral and cellular proteins, as well as membranes and RNA.

While its function has not fully been elucidated, NS5A is believed to be important in viral replication. A large number of cell culture-adaptive mutations mapped to the NS5A have been shown to enhance RNA replication [76–78]. These adaptive mutations often affect hyperphosphorylation of NS5A, suggesting that the phosphorylation status of NS5A might influence replication efficiency. NS5A has been reported to interact with other HCV nonstructural proteins [79–81]. In addition, several cellular proteins interact with NS5A, resulting in assembly of the viral replication complex and/or regulation of RNA replication, as described below.

### 3.8. NS5B protein

NS5B is a 68-kDa protein with a conserved sequence motif characteristic of viral RNA-dependent RNA polymerase (RdRp), including a hallmark GDD motif that produces catalytic activity. NS5B is a tail-anchored protein and its C-terminal 21-aa region forms an alpha-helical transmembrane domain, which is dispensable for polymerase activity *in vitro* but is responsible for post-translational targeting to the cytoplasmic side of the ER [82,83]. Analysis of the crystal structure of NS5B has revealed that the HCV RdRp resembles a right hand and contains fingers, palm, and thumb subdomains, similar to other template-dependent polymerases [84–86]. Unlike the more open structures of other template-dependent DNA polymerases, such as the Klenow Fragment and the human immunodeficiency virus 1 reverse transcriptase, the HCV RdRp has a fully encircled active site through extensive interactions between the fingers and thumb subdomains, resulting in a protein that predominantly exists in a “closed” conformation. HCV RdRp also has an unusual hairpin loop that protrudes into the active site and helps position the 3'-

end of the RNA template for proper initiation of RNA synthesis and inhibits extension from a primed template [87].

#### 4. HCV life cycle

##### 4.1. Attachment and entry

Attachment of the virus to a cell followed by viral entry is the first step in the virus life cycle. In order to enter the host cell, the virus must first bind to a receptor on the cell surface. The specific interaction between a host cell receptor and viral attachment proteins on the surface of the virion determines tissue tropism and host range.

Low levels of HCV replication in cultured cells hindered study of the HCV life cycle. In order to overcome this, alternative models have been developed to study viral attachment and entry using recombinant HCV envelope proteins, including virus-like particles produced by baculovirus [88,89], vesicular stomatitis virus and retrovirus pseudotypes (HCVpp)[90–93], as well as infectious particles derived from a JFH-1 isolate (HCVcc) [94–96].

By using soluble E2 as a probe to identify cell-surface proteins potentially involved in HCV entry, CD81 was first identified as a putative HCV receptor [97]. CD81, a widely expressed 25-kDa cell surface protein, belongs to a family of tetraspanins and is involved in a number of activities, including cell adhesion, motility, metastasis, cell activation and signal transduction [98]. CD81 has a small and large extracellular loop, which mediate binding to recombinant E2 [97,99]. Studies with HCVpp and HCVcc confirm the involvement of CD81 in HCV entry. HCVpp shows a restricted tropism for human hepatic cell lines expressing CD81 [92,93,100–102]. Although necessary, CD81 expression alone is not sufficient for cell entry of HCVpp. Of note, HepG2, which does not express CD81 on its cell surface, is resistant to HCVpp infection, but over-expression of CD81 renders the HepG2 permissive to HCVpp infection [102–105]. Significant infection of CD81-negative cell lines with HCVpp has not been reported. However, as mentioned, not all CD81-positive cell lines can be infected [93,101,103]. Expression of CD81 in host cells is also required for infectivity of HCVcc. Recombinant CD81 and antibodies to CD81 have been observed to neutralize infection [94–96]. Thus, CD81 may function as a post-attachment entry co-receptor and may play a role after binding of the virion to another receptor.

The human scavenger receptor class B type I (SR-BI) has been identified as another putative receptor for HCV [106]. SR-BI is an 82-kDa glycoprotein with two C- and N-terminal cytoplasmic domains separated by a large extracellular domain involved in cellular lipometabolism. SR-BI is expressed in a wide variety of mammalian tissues and cell types [100,107,108], with particularly high levels of expression in the liver and steroidogenic tissue [107,109,110]. SR-BI recognition by soluble E2 requires the HVR1 of E2 [103,111]. A role of SR-BI in HCV cell entry has been confirmed using HCVpp in receptor competition assays using polyclonal anti-SR-BI serum, which has been observed to specifically inhibit HCVpp entry efficiently in a dose-dependent manner [103]. Recent reports have demonstrated that serum factors, especially high-density

lipoprotein (HDL), a ligand to SR-BI, enhance the infectivity of HCVpp [105,112–115]. These results suggest that SR-BI modulates HCV entry.

Several human cell lines co-expressing CD81 and SR-BI are non-permissive for HCVpp infection [100,102,103], suggesting that another cell surface molecule(s) may be required for HCV entry. C-type (calcium-dependent) lectins, such as L-SIGN, DC-SIGN, and the asialoglycoprotein receptor, have also been investigated as potential HCV receptors based on their affinity for recombinant HCV envelope proteins [116–119]. However, L-SIGN and DC-SIGN are not expressed on hepatocytes and therefore cannot be receptors for HCV entry. A possible role of L-SIGN and DC-SIGN involves the capture and transfer of HCV to hepatocytes [120,121]. The LDL receptor is another candidate receptor based on the finding that HCV particles associate with lipoproteins in serum and their infectivity correlates with lipoprotein association. The LDL receptor has been shown to mediate HCV internalization by binding to virion-associated LDL particles [122]. However, a role for the LDL receptor in virus entry has not been confirmed using HCVpp [93], likely since the binding is mediated by lipoproteins rather than viral components.

Recently, a tight junction component claudin-1 has been identified as a co-receptor of HCV [123]. Claudin-1 appears to be critical for HCV entry into hepatic cells and is thought to act during the late stages of viral entry.

##### 4.2. Translation

As opposed to cellular capped mRNA molecules which are translated via a cap-dependent scanning mechanism, the naturally uncapped RNA molecules of viruses such as flaviviruses and picornaviruses are translated via a cap-independent IRES-mediated process, in which viral protein expression is regulated by direct recruitment of each ribosome to the start site of translation [18,19]. The first 40 nt of the 5'UTR, which include a single stem-loop (domain I), are not essential for translation. Of note, the 5' border of the IRES was mapped between nt 38 and 46 [17,124,125]. Other domains in the 5'UTR are more complex: domain II consisting of a stem with several internal loops, domain III consisting of a pseudoknot connected to a four-helix junction, as well as stem-loop III<sub>d</sub> and domain IV, a small hairpin containing the AUG start codon at nt 342. It has been suggested that the first 12 to 40 nt downstream of the start codon are also important for IRES activity [126–128].

Structural analysis of the HCV IRES indicates that all of the RNA elements adopt tertiary structures capable of binding to the translation initiation complex with high affinity [129]. IRES-mediated translation of HCV RNA is initiated by direct binding of a vacant 40S ribosomal subunit to the IRES. The 40S subunit appears to interact with the viral RNA at multiple sites including stems, loops, pseudoknots, as well as the start codon. This binary complex then binds to eukaryotic initiation factor (eIF) 3, as well as the ternary complex eIF-2: Met-tRNA<sub>i</sub>: GTP to form a 48S-like complex dependent upon both the basal domain III and the start codon. Subsequent formation of the 80S complex, which is the rate-limiting step, is dependent upon GTP

hydrolysis and attachment of the 60S subunit, after which the first peptide bond is formed [130].

In addition to the requirements described above, additional factors modulate IRES activity. Cellular factors such as the La autoantigen [131–133], heterogeneous ribonucleoprotein L [134], poly-C binding protein [135], and pyrimidine tract-binding protein (PTB)[136], have also been shown to bind to the IRES element and modulate HCV translation. HCV translation is also regulated through various interactions with viral proteins and the IRES.

We have found that HCV core protein expression inhibits HCV translation, possibly through binding to domain III<sub>d</sub>, particularly a GGG triplet within the hairpin loop structure of the domain [137–139]. We therefore propose a model in which competitive binding of the core protein for the IRES and 40S subunit regulates HCV translation. Although there is an increasing body of evidence to suggest involvement of the core protein in translational regulation, there is conflicting data regarding the mechanism by which this occurs. In contrast to studies describing modulation of initiation of HCV translation by expression of the core protein [137,139–141], another study suggest that the core protein sequence, and not the core protein itself, modulates HCV IRES function through a long-range RNA-RNA interaction [142].

In addition to the 10 known viral proteins (Fig. 1), the core-coding region of HCV has also been observed to express low levels of a 16–17 kDa protein [143–145]. This protein, which has been named the F protein, is thought to be produced by a +1 translational frameshift by ribosomes initiating translation at the start codon during synthesis of the HCV polyprotein, which shifts the reading frame between codons 9 and 11 of the polyprotein.

#### 4.3. Polyprotein processing

The main translation product of the HCV genome is a large precursor polyprotein that is subsequently processed by cellular and viral proteases into mature structural and nonstructural proteins (Fig. 1). As deduced from the hydrophobicity profile and dependence on microsomal membranes, junctions at core/E1, E1/E2, E2/p7, p7/NS2 are processed by host signal peptidases. Secondary structure analysis of the core protein has revealed that all major alpha helices are located in the C-terminal half of the protein. A predicted alpha helix encoded by aa 174–191 is extremely hydrophobic and resembles typical signal peptide sequences. Further post-translational cleavage close to the C terminus of the core protein takes place, removing the E1 signal sequence by a signal peptide peptidase [146–149]. This peptidase has been identified as a presenilin-type aspartic protease [150] and shown to exhibit protease activity within cellular membranes, resulting in cleavage of peptide bonds in the plane of lipid bilayers.

As described above, HCV nonstructural proteins are processed by two viral proteases: cleavage between NS2 and NS3 is a rapid intramolecular reaction mediated by a NS2-3 protease spanning NS2 and the N-terminal domain of NS3, whereas the remaining four junctions are processed by a serine protease located within the 180 N-terminal residues of the NS3 protein. The NS3-NS5B

region is presumably processed by sequential cleavage: NS3/4A → NS5A/5B → NS4A/4B → NS4B/5A [151–154]. Processing at the NS3/4A site is intramolecular, whereas cleavage at the other sites occurs intermolecularly.

#### 4.4. RNA replication

As with other positive-strand RNA viruses, HCV replication is assumed to start with synthesis of a complementary negative-strand RNA using the genome as a template, after which genomic positive-strand RNA is produced from a negative-strand RNA template, both steps of which are catalyzed by the NS5B RdRp. The positive-strand RNA progeny are transcribed at a level 5- to 10-fold that of negative-strand RNA. Recombinant NS5B protein demonstrates RdRp activity *in vitro*, however, appears to lack strict template specificity and fidelity, which are essential for viral RNA synthesis. Thus, other viral and/or host factors are believed to be responsible for RNA replication and formation of the replication complex (RC), together with NS5B, which is required for catalyzing HCV RNA synthesis during replication. Several research groups have demonstrated HCV RC-mediated replication *in vitro* in crude membrane fractions of cells harboring subgenomic replicons [155–158]. Studies of cell-free replication systems, which provide a useful source of viral RCs have revealed that RNA synthesis can be initiated in the absence of additional negative-strand template RNA, suggesting that pre-initiated template RNA co-purifies with viral RCs [156–159].

Co-precipitation and immunostaining studies have revealed that newly synthesized HCV RNA exists as distinct specks of material, while all of the viral nonstructural proteins coexist [160]. These distinct structures may be equivalent to a membranous web, as described above. Expression of all structural and non-structural proteins in the context of the entire HCV polyprotein has been observed to induce similar membrane changes [72]. It is of interest that morphologically similar structures, termed sponge-like inclusions [161], have been identified by electron microscopy within the hepatocytes of HCV-infected chimpanzees. Thus, HCV RC may exist in the context of a membranous web in infected cells. Because all nonstructural proteins of HCV are associated with the ER membrane in cells harboring subgenomic replicon RNA molecules [162,163], and since the membrane web is frequently observed in close proximity with the ER membrane, it is likely that the membranous web in HCV-infected cells is derived from the ER membrane.

On the other hand, there is accumulating evidence to support an association between HCV RNA replication and detergent-insoluble membrane domains or lipid rafts, which are microdomains rich in cholesterol and sphingolipids. Membrane flotation analysis and replication assays have shown that viral RNA and proteins exist within detergent-resistant, lipid-raft membranes, and that RNA replication occurs even after treatment with detergent [155,164]. Inhibitors of *de novo* sphingolipid synthesis have been shown to inhibit HCV replication, presumably by disrupting the association of viral nonstructural proteins with lipid rafts [165,166]. It is now accepted that HCV nonstructural proteins synthesized at the ER localize to lipid raft membranes when they are actively engaged in RNA replication.

Membrane separation analysis has demonstrated that HCV nonstructural proteins exist both in the ER and the Golgi apparatus, but that viral RNA replication primarily occurs in the Golgi fraction [155]. Further studies to elucidate the cellular processes involved in HCV RC formation and replication of the HCV genome in infected cells are needed.

Studies of RNA replicons have demonstrated the greatest viral RNA levels during the growth phase of the cells, after which a significant drop is observed as the cells reach confluence, suggesting that HCV replication and/or translation is tightly linked to host cell metabolism [163]. Huh-7 cells, in which adapted replicons are cured by treatment with IFN, yield cell populations that are more permissive for the replicon tested. Thus, it is likely that some interplay between the cellular environment and specific adaptive mutations of viral RNA contributes to efficient RNA replication of HCV.

Several cellular proteins capable of interacting with NS5A, such as vesicle-associated membrane protein-associated protein (VAP) subtypes A and B (VAP-A and -B) [73,167], FKBP8 [168], FBL2 [169,170], growth factor receptor-bound protein 2 adaptor protein [171], SRCAP [172], and karyopherin  $\beta 3$  [173], as well as Raf-1 kinase [174], have been identified. VAP-A and -B and SNARE-like proteins are known to localize within the ER and Golgi apparatus and are essential for HCV replication by binding with both NS5A and NS5B. VAP-A interacts with VAP-B through its transmembrane domain. Thus, VAP-A and -B are thought to be involved in the formation of functional HCV RCs. FKBP8, a member of the FK506-binding protein family, and Hsp90 form a complex with NS5A, further contributing to viral RNA replication. Statins that decrease the production of mevalonate by inhibiting 3-hydroxy-3-methylglutaryl CoA reductase have been shown to inhibit HCV RNA replication [170,175], which can be reversed by adding geranylgeraniol, suggesting that viral replication requires geranylgeranylated proteins. A geranylgeranylated protein, FBL2, which contains an F-box motif and is therefore likely involved in protein degradation, has been identified as a NS5A-binding protein.

Host factors that interact with NS5B and might participate in HCV replication include cyclophilin B [176], p68 [177], nucleolin [178,179], and hnRNP A1 [180]. Cyclophilin B, a cellular peptidyl-prolyl cis-trans isomerase, interacts with the C-terminal region of NS5B to directly stimulate its RNA binding activity, and thereby contributes to efficient replication of HCV RNA. Redistribution of p68, an RNA helicase, from the nucleus to the cytoplasm occurs through its binding to NS5B, and the p68-NS5B interaction may further serve to mediate HCV replication. Nucleolin, a representative nucleolar marker, interacts with NS5B through two independent regions of NS5B and may be essential for HCV replication. hnRNP A1, a heterogeneous nuclear ribonucleoprotein, also interacts with septin 6, as well as the 5'-UTR and 3'-UTR of HCV RNA, and contains the cis-acting elements required for replication. Thus, hnRNP A1 and septin 6 play important roles in HCV replication through RNA-protein and protein-protein interactions. Other cellular components that bind to HCV RNA, such as PTB, may also be involved in viral replication. PTB has been observed to modulate HCV IRES

activity by binding to several sites within the viral genome [22,181–184]. Recent studies have shown that PTB also forms part of the HCV RC and participates in viral RNA synthesis [185].

#### 4.5. Viral assembly

Little is known about the assembly of HCV or its virion structure since efficient production of authentic HCV particles has only recently been achieved. As with related viruses, the mature HCV virion likely consists of a nucleocapsid and outer envelope composed of a lipid membrane and envelope proteins. Various forms of HCV have been reported to circulate in the sera of infected hosts, including (i) free mature virions, (ii) virions bound to low-density lipoproteins and very-low-density lipoproteins, (iii) virions bound to immunoglobulins, as well as (iv) non-enveloped nucleocapsids, which exhibit different physicochemical and antigenic properties [186–189].

Several expression systems have been used to investigate HCV capsid assembly using lysate from mammalian cells, insects, yeast, bacteria, and reticulocytes, as well as purified recombinant protein [88,89,190–195]. The results suggest that the immunogenic nucleocapsid-like particles of HCV are variable in size ranging from 30 to 80 nm in diameter. The N-terminal half of the core protein is important for nucleocapsid assembly [190,194,195]. HCV capsid formation occurs in the presence or absence of ER-derived membrane, which supports cleavage of the signal peptide at the C-terminus [195].

Nucleocapsid assembly generally involves oligomerization of the capsid protein and encapsidation of genomic RNA. This process is thought to occur upon interaction of the core protein with viral RNA, and the core-RNA interaction may be critical for switching from RNA replication to packaging. In fact, HCV core protein can bind to positive-strand HCV RNA through stem-loop domains I, III and nt 24–41 [138]. Two-hybrid systems have identified a potential homotypic interaction domain within the N-terminal region of the core protein (aa 1–115 or –122), with particular emphasis on the region encompassing aa 82–102 [196,197]. Using purified HCV core protein, a C-terminally truncated core protein (aa 1–124) and structured RNA have been implicated in nucleocapsid formation to produce homogenous spherical HCV particles. When core protein containing the C terminus up to aa 174 is similarly examined, a heterogeneous array of irregularly shaped particles is observed, suggesting that the C-terminus of the core protein influences self-assembly. Furthermore, Pro substitution within the C-terminal region has been observed to abolish core protein self-interaction [198]. Circular dichroism spectroscopy has further shown that a Trp-rich region spanning aa 76–113 is largely solvent-exposed and unlikely to play a role in multimerization. Recently, our group has demonstrated that self-oligomerization of the core protein is promoted by aa 72 to 91 of the core protein [49].

Once a HCV nucleocapsid is formed in the cytoplasm, it acquires an envelope as it buds through an intracellular membrane. Interactions between the core and E1/E2 proteins are thought to determine viral morphology. Expression of HCV structural proteins using recombinant virus vectors has succeeded in generating virus-like particles with similar ultrastructural

properties to HCV virions. Packaging of these HCV-like particles into intracellular vesicles as a result of budding from the ER has been noted [88,199,200]. Mapping studies to determine the nature of interaction between core and E1 proteins have demonstrated the importance of C-terminal regions in this interaction [201,202]. Since corresponding sequences are not well conserved among various HCV isolates, interactions between core and E1 proteins might depend more on hydrophobicity than specific sequences. In contrast, it has been shown that the interaction between self-oligomerized HCV core protein and the E1 glycoprotein is mediated through a cytoplasmic loop of the polytopic form of the E1 protein [49].

It is believed that HCV particles are released from the cell through the secretory pathway. HCV structural proteins have been observed both in the ER and Golgi apparatus [203]. In addition, complex N-linked glycans, which transit through the Golgi apparatus, have been detected on the surface of HCV particles isolated from patient sera [204].

## 5. Perspectives

Since the discovery of HCV, which is a major cause of liver disease worldwide, significant progress has been made regarding the molecular biology of this virus. However, details regarding early and late stages of the HCV life cycle, including cell entry, genome packaging, assembly and release, remain unclear. In addition, the role of some viral proteins and their importance to replication remains unclear, as well as the role of certain host factors in regulation of the HCV life cycle.

## Acknowledgements

The authors are grateful to all of their co-workers who contributed to the studies cited here. We also thank T. Mizoguchi for her secretarial work. This work was supported in part by a grant for Research on Health Sciences focusing on Drug Innovation from the Japan Health Sciences Foundation, and by grants-in-aid from the Ministry of Health, Labor, and Welfare, Japan.

## References

- [1] G. Kuo, Q.-L. Choo, H.J. Alter, G.L. Gitnick, A.G. Redeker, R.H. Purcell, T. Miyamura, J.L. Dienstag, M.J. Alter, C.E. Stevens, G.E. Tegtmeier, F. Bonino, M. Colombo, W.-S. Lee, C. Kuo, K. Berger, F.R. Shuster, L.R. Overby, D.W. Bradley, M. Houghton, An assay for circulating antibodies to a major etiologic virus of human non-A, non-B hepatitis, *Science* 244 (1989) 362–364.
- [2] A. Grakoui, H.L. Hanson, C.M. Rice, Bad time for Bonzo? Experimental models of hepatitis C virus infection, replication, and pathogenesis, *Hepatology* 33 (3) (2001) 489–495.
- [3] G.M. Lauer, B.D. Walker, Hepatitis C virus infection, *N. Engl. J. Med.* 345 (1) (2001) 41–52.
- [4] I. Saito, T. Miyamura, A. Ohbayashi, H. Harada, T. Katayama, S. Kikuchi, Y. Watanabe, S. Koi, M. Onji, Y. Ohta, et al., Hepatitis C virus infection is associated with the development of hepatocellular carcinoma, *Proc. Natl. Acad. Sci. U. S. A.* 87 (17) (1990) 6547–6549.
- [5] M.J. Alter, Epidemiology of hepatitis C in the West, *Semin. Liver Dis.* 15 (1) (1995) 5–14.
- [6] M. Di Bisceglie, Hepatitis C and hepatocellular carcinoma, *Hepatology* 26 (3 Suppl 1) (1997) 34S–38S.
- [7] T. Poynard, M.F. Yuen, V. Ratziu, C.L. Lai, Viral hepatitis C, *Lancet* 362 (9401) (2003) 2095–2100.
- [8] J.M. Pawlotsky, Pathophysiology of hepatitis C virus infection and related liver disease, *Trends Microbiol.* 12 (2) (2004) 96–102.
- [9] M. Houghton, A. Weiner, J. Han, G. Kuo, Q.-L. Choo, Molecular biology of the hepatitis C viruses: implications for diagnosis, development and control of viral disease, *Hepatology* 14 (1991) 381–388.
- [10] B. Robertson, G. Myers, C. Howard, T. Bretin, J. Bukh, B. Gaschen, T. Gojobori, G. Maertens, M. Mizokami, O. Nainan, S. Netesov, K. Nishioka, T. Shin i, P. Simmonds, D. Smith, L. Stuyver, A. Weiner, Classification, nomenclature, and database development for hepatitis C virus (HCV) and related viruses: proposals for standardization. International Committee on Virus Taxonomy, *Arch. Virol.* 143 (12) (1998) 2493–2503.
- [11] Q.-L. Choo, G. Kuo, A.J. Weiner, L.R. Overby, D.W. Bradley, M. Houghton, Isolation of a cDNA clone derived from a blood-borne non-A, non-B viral hepatitis genome, *Science* 244 (1989) 359–362.
- [12] M. Martell, J.I. Esteban, J. Quer, J. Genesca, A. Weiner, R. Esteban, J. Guardia, J. Gomez, Hepatitis C virus (HCV) circulates as a population of different but closely related genomes: quasispecies nature of HCV genome distribution, *J. Virol.* 66 (1992) 3225–3229.
- [13] J.M. Pawlotsky, Hepatitis C virus population dynamics during infection, *Curr. Top. Microbiol. Immunol.* 299 (2006) 261–284.
- [14] J. Bukh, R.H. Purcell, R.H. Miller, Sequence analysis of the 5' noncoding region of hepatitis C virus, *Proc. Natl. Acad. Sci. U. S. A.* 89 (11) (1992) 4942–4946.
- [15] E.A. Brown, H. Zhang, L.H. Ping, S.M. Lemon, Secondary structure of the 5' nontranslated regions of hepatitis C virus and pestivirus genomic RNAs, *Nucleic Acids Res.* 20 (19) (1992) 5041–5045.
- [16] M. Honda, M.R. Beard, L.H. Ping, S.M. Lemon, A phylogenetically conserved stem-loop structure at the 5' border of the internal ribosome entry site of hepatitis C virus is required for cap-independent viral translation, *J. Virol.* 73 (2) (1999) 1165–1174.
- [17] M. Honda, E.A. Brown, S.M. Lemon, Stability of a stem-loop involving the initiator AUG controls the efficiency of internal initiation of translation on hepatitis C virus RNA, *RNA* 2 (10) (1996) 955–968.
- [18] K. Tsukiyama-Kohara, N. Iizuka, M. Kohara, A. Nomoto, Internal ribosome entry site within hepatitis C virus RNA, *J. Virol.* 66 (1992) 1476–1483.
- [19] C. Wang, P. Sarnow, A. Siddiqui, Translation of human hepatitis C virus RNA in cultured cells is mediated by an internal ribosome-binding mechanism, *J. Virol.* 67 (1993) 3338–3344.
- [20] P. Friebe, V. Lohmann, N. Krieger, R. Bartenschlager, Sequences in the 5' nontranslated region of hepatitis C virus required for RNA replication, *J. Virol.* 75 (24) (2001) 12047–12057.
- [21] L. Jopling, M. Yi, A.M. Lancaster, S.M. Lemon, P. Sarnow, Modulation of hepatitis C virus RNA abundance by a liver-specific MicroRNA, *Science* 309 (5740) (2005) 1577–1581.
- [22] T. Ito, M.M. Lai, An internal polypyrimidine-tract-binding protein-binding site in the hepatitis C virus RNA attenuates translation, which is relieved by the 3'-untranslated sequence, *Virology* 254 (2) (1999) 288–296.
- [23] A. Kolykhalov, E.V. Agapov, K.J. Blight, K. Mihalik, S.M. Feinstone, C.M. Rice, Transmission of hepatitis C by intrahepatic inoculation with transcribed RNA, *Science* 277 (1997) 570–574.
- [24] T. Tanaka, N. Kato, M.-J. Cho, K. Shimotohno, A novel sequence found at the 3' terminus of hepatitis C virus genome, *Biochem. Biophys. Res. Commun.* 215 (1995) 744–749.
- [25] M. Yi, S.M. Lemon, 3' nontranslated RNA signals required for replication of hepatitis C virus RNA, *J. Virol.* 77 (6) (2003) 3557–3568.
- [26] P. Friebe, R. Bartenschlager, Genetic analysis of sequences in the 3' nontranslated region of hepatitis C virus that are important for RNA replication, *J. Virol.* 76 (11) (2002) 5326–5338.
- [27] M. Hijikata, N. Kato, Y. Ootsuyama, M. Nakagawa, S. Ohkoshi, K. Shimotohno, Hypervariable regions in the putative glycoprotein of hepatitis C virus, *Biochem. Biophys. Res. Commun.* 175 (1991) 220–228.

- [28] J. Weiner, M.J. Brauer, J. Rosenblatt, K.H. Richman, J. Tung, K. Crawford, F. Bonino, G. Saracco, Q.-L. Choo, M. Houghton, Variable and hypervariable domains are found in the regions of HCV corresponding to the flavivirus envelope and NS1 proteins and the pestivirus envelope glycoproteins, *Virology* 180 (1991) 842–848.
- [29] N. Kato, Y. Ootsuyama, T. Tanaka, M. Nakagawa, T. Nakazawa, K. Muraiso, S. Ohkoshi, M. Hijikata, K. Shimotohno, Marked sequence diversity in the putative envelope proteins of hepatitis C viruses, *Virus Res.* 22 (1992) 107–123.
- [30] S. Harada, Y. Watanabe, K. Takeuchi, T. Suzuki, T. Katayama, Y. Takebe, I. Saito, T. Miyamura, Expression of processed core protein of hepatitis C virus in mammalian cells, *J. Virol.* 65 (1991) 3015–3021.
- [31] Q. Liu, C. Tackney, R.A. Bhat, A.M. Prince, P. Zhang, Regulated processing of hepatitis C virus core protein is linked to subcellular localization, *J. Virol.* 71 (1) (1997) 657–662.
- [32] R. Suzuki, K. Tamura, J. Li, K. Ishii, Y. Matsuura, T. Miyamura, T. Suzuki, Ubiquitin-mediated degradation of hepatitis C virus core protein is regulated by processing at its carboxyl terminus, *Virology* 280 (2) (2001) 301–309.
- [33] K. Yasui, T. Wakita, K. Tsukiyama-Kohara, S.I. Funahashi, M. Ichikawa, T. Kajita, D. Moradpour, J.R. Wands, M. Kohara, The native form and maturation process of hepatitis C virus core protein, *J. Virol.* 72 (7) (1998) 6048–6055.
- [34] J. Selby, Q.-L. Choo, K. Berger, G. Kuo, E. Glazer, M. Eckart, C. Lee, D. Chien, C. Kuo, M. Houghton, Expression, identification and subcellular localization of the proteins encoded by the hepatitis C viral genome, *J. Gen. Virol.* 74 (1993) 1103–1113.
- [35] R. Suzuki, Y. Matsuura, T. Suzuki, A. Ando, J. Chiba, S. Harada, I. Saito, T. Miyamura, Nuclear localization of the truncated hepatitis C virus core protein with its hydrophobic C terminus deleted, *J. Gen. Virol.* 76 (1995) 53–61.
- [36] D. Moradpour, T. Wakita, K. Tokushige, R.I. Carlson, K. Krawczynski, J.R. Wands, Characterization of three novel monoclonal antibodies against hepatitis C virus core protein, *J. Med. Virol.* 48 (3) (1996) 234–241.
- [37] G. Barba, F. Harper, T. Harada, M. Kohara, S. Goulinet, Y. Matsuura, G. Eder, Z. Schaff, M.J. Chapman, T. Miyamura, C. Brechot, Hepatitis C virus core protein shows a cytoplasmic localization and associates to cellular lipid storage droplets, *Proc. Natl. Acad. Sci. U. S. A.* 94 (1997) 1200–1205.
- [38] K. Moriya, H. Fujie, Y. Shintani, H. Yotsuyanagi, T. Tsutsumi, K. Ishibashi, Y. Matsuura, S. Kimura, The core protein of hepatitis C virus induces hepatocellular carcinoma in transgenic mice, *Nat. Med.* 4 (1998) 1065–1067.
- [39] R.G. Hope, J. McLauchlan, Sequence motifs required for lipid droplet association and protein stability are unique to the hepatitis C virus core protein, *J. Gen. Virol.* 81 (Pt 8) (2000) 1913–1925.
- [40] M. Okuda, K. Li, M.R. Beard, L.A. Showalter, F. Scholle, S.M. Lemon, S.A. Weinman, Mitochondrial injury, oxidative stress, and antioxidant gene expression are induced by hepatitis C virus core protein, *Gastroenterology* 122 (2) (2002) 366–375.
- [41] B. Schwer, S. Ren, T. Pietschmann, J. Kartenbeck, K. Kaehlcke, R. Bartenschlager, T.S. Yen, M. Ott, Targeting of hepatitis C virus core protein to mitochondria through a novel C-terminal localization motif, *J. Virol.* 78 (15) (2004) 7958–7968.
- [42] R. Suzuki, S. Sakamoto, T. Tsutsumi, A. Rikimaru, K. Tanaka, T. Shimoike, K. Moriishi, T. Iwasaki, K. Mizumoto, Y. Matsuura, T. Miyamura, T. Suzuki, Molecular determinants for subcellular localization of hepatitis C virus core protein, *J. Virol.* 79 (2) (2005) 1271–1281.
- [43] K. Moriishi, R. Mochizuki, K. Moriya, H. Miyamoto, Y. Mori, T. Abe, S. Murata, K. Tanaka, T. Miyamura, T. Suzuki, K. Koike, Y. Matsuura, Critical role of PA28 $\gamma$  in hepatitis C virus-associated steatogenesis and hepatocarcinogenesis, *Proc. Natl. Acad. Sci. U. S. A.* 104 (5) (2007) 1661–1666.
- [44] K. Moriishi, T. Okabayashi, K. Nakai, K. Moriya, K. Koike, S. Murata, T. Chiba, K. Tanaka, R. Suzuki, T. Suzuki, T. Miyamura, Y. Matsuura, Proteasome activator PA28 $\gamma$ -dependent nuclear retention and degradation of hepatitis C virus core protein, *J. Virol.* 77 (19) (2003) 10237–10249.
- [45] M. Shirakura, K. Murakami, T. Ichimura, R. Suzuki, T. Shimoji, K. Fukuda, K. Abe, S. Sato, M. Fukasawa, Y. Yamakawa, M. Nishijima, K. Moriishi, Y. Matsuura, T. Wakita, T. Suzuki, P.M. Howley, T. Miyamura, I. Shoji, E6AP ubiquitin ligase mediates ubiquitylation and degradation of hepatitis C virus core protein, *J. Virol.* 81 (3) (2007) 1174–1185.
- [46] T. Suzuki, R. Suzuki, Maturation and assembly of hepatitis C virus core protein, in: M. Kalitzky, P. Borowski (Eds.), *Molecular Biology of the Flavivirus*, Horizon Bioscience, Norfolk, U.K., 2006, pp. 295–311.
- [47] A. Op De Beeck, L. Cocquerel, J. Dubuisson, Biogenesis of hepatitis C virus envelope glycoproteins, *J. Gen. Virol.* 82 (Pt 11) (2001) 2589–2595.
- [48] L. Cocquerel, A. Op de Beeck, M. Lambot, J. Roussel, D. Delgrange, A. Pillez, C. Wychofski, F. Penin, J. Dubuisson, Topological changes in the transmembrane domains of hepatitis C virus envelope glycoproteins, *EMBO J.* 21 (12) (2002) 2893–2902.
- [49] K. Nakai, T. Okamoto, T. Kimura-Someya, K. Ishii, C.K. Lim, H. Tani, E. Matsu, T. Abe, Y. Mori, T. Suzuki, T. Miyamura, J.H. Nunberg, K. Moriishi, Y. Matsuura, Oligomerization of hepatitis C virus core protein is crucial for interaction with the cytoplasmic domain of E1 envelope protein, *J. Virol.* 80 (22) (2006) 11265–11273.
- [50] A. Sakai, M.S. Claire, K. Faulk, S. Govindarajan, S.U. Emerson, R.H. Purcell, J. Bukh, The p7 polypeptide of hepatitis C virus is critical for infectivity and contains functionally important genotype-specific sequences, *Proc. Natl. Acad. Sci. U. S. A.* 100 (20) (2003) 11646–11651.
- [51] D. Pavlovic, D.C. Neville, O. Argaud, B. Blumberg, R.A. Dwek, W.B. Fischer, N. Zitzmann, The hepatitis C virus p7 protein forms an ion channel that is inhibited by long-alkyl-chain iminosugar derivatives, *Proc. Natl. Acad. Sci. U. S. A.* 100 (10) (2003) 6104–6108.
- [52] S.D. Griffin, L.P. Beales, D.S. Clarke, O. Worsfold, S.D. Evans, J. Jaeger, M.P. Harris, D.J. Rowlands, The p7 protein of hepatitis C virus forms an ion channel that is blocked by the antiviral drug, Amantadine, *FEBS Lett.* 535 (1–3) (2003) 34–38.
- [53] A. Grakoui, D.W. McCourt, C. Wychowski, S.M. Feinstone, C.M. Rice, A second hepatitis C virus-encoded proteinase, *Proc. Natl. Acad. Sci. U. S. A.* 90 (1993) 10583–10587.
- [54] M. Hijikata, H. Mizushima, T. Akagi, S. Mori, N. Kakiuchi, N. Kato, T. Tanaka, K. Kimura, K. Shimotohno, Two distinct proteinase activities required for the processing of a putative nonstructural precursor protein of hepatitis C virus, *J. Virol.* 67 (1993) 4665–4675.
- [55] V. Lohmann, F. Korner, J. Koch, U. Herian, L. Theilmann, R. Bartenschlager, Replication of subgenomic hepatitis C virus RNAs in a hepatoma cell line, *Science* 285 (1999) 110–113.
- [56] A. Khromykh, E.G. Westaway, Subgenomic replicons of the flavivirus Kunjin: construction and applications, *J. Virol.* 71 (2) (1997) 1497–1505.
- [57] T. Pietschmann, A. Kaul, G. Koutsoudakis, A. Shavinskaya, S. Kallis, E. Steinmann, K. Abid, F. Negro, M. Dreux, F.L. Cosset, R. Bartenschlager, Construction and characterization of infectious intragenotypic and intergenotypic hepatitis C virus chimeras, *Proc. Natl. Acad. Sci. U. S. A.* 103 (19) (2006) 7408–7413.
- [58] A. Kolykhalov, K. Mihalik, S.M. Feinstone, C.M. Rice, Hepatitis C virus-encoded enzymatic activities and conserved RNA elements in the 3' nontranslated region are essential for virus replication *in vivo*, *J. Virol.* 74 (2000) 2046–2051.
- [59] C. Lorenz, J. Marcotrigiano, T.G. Dentzer, C.M. Rice, Structure of the catalytic domain of the hepatitis C virus NS2-3 protease, *Nature* 442 (7104) (2006) 831–835.
- [60] R. De Francesco, G. Migliaccio, Challenges and successes in developing new therapies for hepatitis C, *Nature* 436 (7053) (2005) 953–960.
- [61] B. Wolk, D. Sansonno, H.G. Krausslich, F. Dammacco, C.M. Rice, H.E. Blum, D. Moradpour, Subcellular localization, stability, and trans-cleavage competence of the hepatitis C virus NS3-NS4A complex expressed in tetracycline-regulated cell lines, *J. Virol.* 74 (5) (2000) 2293–2304.
- [62] L. Kim, K.A. Morgenstern, C. Lin, T. Fox, M.D. Dwyer, J.A. Landro, S.P. Chambers, W. Markland, C.A. Lepre, E.T. O'Malley, S.L. Harbeson, C.M. Rice, M.A. Murcko, P.R. Caron, J.A. Thomson, Crystal structure of the hepatitis C virus NS3 protease domain complexed with a synthetic NS4A cofactor peptide, *Cell* 87 (1996) 343–355.

- [63] R.A. Love, H.E. Parge, J.A. Wickersham, Z. Hostomsky, N. Habuka, E.W. Moomaw, T. Adachi, Z. Hostomska, The crystal structure of hepatitis C virus NS3 proteinase reveals a trypsin-like fold and a structural zinc binding site, *Cell* 87 (1996) 331–342.
- [64] Y. Yan, Y. Li, S. Munshi, V. Sardana, J.L. Cole, M. Sardana, C. Steinkuehler, L. Tomei, R. De Francesco, L.C. Kuo, Z. Chen, Complex of NS3 protease and NS4A peptide of BK strain hepatitis C virus: a 2.2 Å resolution structure in a hexagonal crystal form, *Protein Sci.* 7 (4) (1998) 837–847.
- [65] D. Kwong, J.L. Kim, C. Lin, Structure and function of hepatitis C virus NS3 helicase, *Curr. Top. Microbiol. Immunol.* 242 (2000) 171–196.
- [66] L. Kim, K.A. Morgenstem, J.P. Griffith, M.D. Dwyer, J.A. Thomson, M.A. Murcko, C. Lin, P.R. Caron, Hepatitis C virus NS3 RNA helicase domain with a bound oligonucleotide: the crystal structure provides insights into the mode of unwinding, *Structure* 6 (1) (1998) 89–100.
- [67] V. Serebrov, A.M. Pyle, Periodic cycles of RNA unwinding and pausing by hepatitis C virus NS3 helicase, *Nature* 430 (6998) (2004) 476–480.
- [68] M.K. Levin, M. Gurjar, S.S. Patel, A Brownian motor mechanism of translocation and strand separation by hepatitis C virus helicase, *Nat. Struct. Mol. Biol.* 12 (5) (2005) 429–435.
- [69] S. Dumont, W. Cheng, V. Serebrov, R.K. Beran, I. Tinoco Jr., A.M. Pyle, C. Bustamante, RNA translocation and unwinding mechanism of HCV NS3 helicase and its coordination by ATP, *Nature* 439 (7072) (2006) 105–108.
- [70] D.N. Frick, R.S. Rypma, A.M. Lam, B. Gu, The nonstructural protein 3 protease/helicase requires an intact protease domain to unwind duplex RNA efficiently, *J. Biol. Chem.* 279 (2) (2004) 1269–1280.
- [71] M. Lundin, M. Monne, A. Widell, G. Von Heijne, M.A. Persson, Topology of the membrane-associated hepatitis C virus protein NS4B, *J. Virol.* 77 (9) (2003) 5428–5438.
- [72] D. Egger, B. Wolk, R. Gosert, L. Bianchi, H.E. Blum, D. Moradpour, K. Bienz, Expression of hepatitis C virus proteins induces distinct membrane alterations including a candidate viral replication complex, *J. Virol.* 76 (12) (2002) 5974–5984.
- [73] L. Gao, H. Aizaki, J.W. He, M.M. Lai, Interactions between viral nonstructural proteins and host protein hVAP-33 mediate the formation of hepatitis C virus RNA replication complex on lipid raft, *J. Virol.* 78 (7) (2004) 3480–3488.
- [74] T.L. Tellinghuisen, J. Marcotrigiano, A.E. Gorbalenya, C.M. Rice, The NS5A protein of hepatitis C virus is a zinc metalloprotein, *J. Biol. Chem.* 279 (47) (2004) 48576–48587.
- [75] T.L. Tellinghuisen, J. Marcotrigiano, C.M. Rice, Structure of the zinc-binding domain of an essential component of the hepatitis C virus replicase, *Nature* 435 (7040) (2005) 374–379.
- [76] K.J. Blight, A.A. Kolykhalov, C.M. Rice, Efficient initiation of HCV RNA replication in cell culture, *Science* 290 (2000) 1972–1974.
- [77] N. Krieger, V. Lohmann, R. Bartenschlager, Enhancement of hepatitis C virus RNA replication by cell culture-adaptive mutations, *J. Virol.* 75 (10) (2001) 4614–4624.
- [78] V. Lohmann, F. Komer, A. Dobierzewska, R. Bartenschlager, Mutations in hepatitis C virus RNAs conferring cell culture adaptation, *J. Virol.* 75 (3) (2001) 1437–1449.
- [79] T. Shimakami, M. Hijikata, H. Luo, Y.Y. Ma, S. Kaneko, K. Shimotohno, S. Murakami, Effect of interaction between hepatitis C virus NS5A and NS5B on hepatitis C virus RNA replication with the hepatitis C virus replicon, *J. Virol.* 78 (6) (2004) 2738–2748.
- [80] Y. Shirota, H. Luo, W. Qin, S. Kaneko, T. Yamashita, K. Kobayashi, S. Murakami, Hepatitis C virus (HCV) NS5A binds RNA-dependent RNA polymerase (RdRP) NS5B and modulates RNA-dependent RNA polymerase activity, *J. Biol. Chem.* 277 (13) (2002) 11149–11155.
- [81] M. Dimitrova, I. Imbert, M.P. Kienny, C. Schuster, Protein–protein interactions between hepatitis C virus nonstructural proteins, *J. Virol.* 77 (9) (2003) 5401–5414.
- [82] D. Moradpour, V. Brass, E. Bieck, P. Friebe, R. Gosert, H.E. Blum, R. Bartenschlager, F. Penin, V. Lohmann, Membrane association of the RNA-dependent RNA polymerase is essential for hepatitis C virus RNA replication, *J. Virol.* 78 (23) (2004) 13278–13284.
- [83] J. Schmidt-Mende, E. Bieck, T. Hugle, F. Penin, C.M. Rice, H.E. Blum, D. Moradpour, Determinants for membrane association of the hepatitis C virus RNA-dependent RNA polymerase, *J. Biol. Chem.* 276 (47) (2001) 44052–44063.
- [84] H. Ago, T. Adachi, A. Yoshida, M. Yamamoto, N. Habuka, K. Yatsunami, M. Miyano, Crystal structure of the RNA-dependent RNA polymerase of hepatitis C virus, *Struct. Fold. Des.* 7 (11) (1999) 1417–1426.
- [85] A. Lesburg, M.B. Cable, E. Ferrari, Z. Hong, A.F. Mannarino, P.C. Weber, Crystal structure of the RNA-dependent RNA polymerase from hepatitis C virus reveals a fully encircled active site, *Nat. Struct. Mol. Biol.* 6 (10) (1999) 937–943.
- [86] S. Bressanelli, L. Tomei, F.A. Rey, R. De Francesco, Structural analysis of the hepatitis C virus RNA polymerase in complex with ribonucleotides, *J. Virol.* 76 (7) (2002) 3482–3492.
- [87] S.J. Butcher, J.M. Grimes, E.V. Makeyev, D.H. Bamford, D.I. Stuart, A mechanism for initiating RNA-dependent RNA polymerization, *Nature* 410 (6825) (2001) 235–240.
- [88] T.F. Baumert, S. Ito, D.T. Wong, T.J. Liang, Hepatitis C virus structural proteins assemble into viruslike particles in insect cells, *J. Virol.* 72 (5) (1998) 3827–3836.
- [89] E. Matsuo, H. Tani, C. Lim, Y. Komoda, T. Okamoto, H. Miyamoto, K. Moriishi, S. Yagi, A.H. Patel, T. Miyamura, Y. Matsuura, Characterization of HCV-like particles produced in a human hepatoma cell line by a recombinant baculovirus, *Biochem. Biophys. Res. Commun.* 340 (1) (2006) 200–208.
- [90] L.M. Lagging, K.M. Randall, J. Owens, R. Ray, Functional Role of Hepatitis C Virus Chimeric Glycoproteins in the Infectivity of Pseudotyped Virus, *J. Virol.* 72 (1998) 3539–3546.
- [91] Y. Matsuura, H. Tani, K. Suzuki, T. Kimura-Someya, R. Suzuki, H. Aizaki, K. Ishii, K. Moriishi, C.S. Robison, M.A. Whitt, T. Miyamura, Characterization of pseudotype VSV possessing HCV envelope proteins, *Virology* 286 (2) (2001) 263–275.
- [92] B. Bartosch, J. Bukh, J.C. Meunier, C. Granier, R.E. Engle, W.C. Blackwelder, S.U. Emerson, F.L. Cosset, R.H. Purcell, In vitro assay for neutralizing antibody to hepatitis C virus: evidence for broadly conserved neutralization epitopes, *Proc. Natl. Acad. Sci. U. S. A.* 100 (24) (2003) 14199–14204.
- [93] M. Hsu, J. Zhang, M. Flint, C. Logvinoff, C. Cheng-Mayer, C.M. Rice, J.A. McKeating, Hepatitis C virus glycoproteins mediate pH-dependent cell entry of pseudotyped retroviral particles, *Proc. Natl. Acad. Sci. U. S. A.* 100 (12) (2003) 7271–7276.
- [94] T. Wakita, T. Pietschmann, T. Kato, T. Date, M. Miyamoto, Z. Zhao, K. Murthy, A. Habermann, H.G. Krausslich, M. Mizokami, R. Bartenschlager, T.J. Liang, Production of infectious hepatitis C virus in tissue culture from a cloned viral genome, *Nat. Med.* 11 (7) (2005) 791–796.
- [95] J. Zhong, P. Gastaminza, G. Cheng, S. Kapadia, T. Kato, D.R. Burton, S.F. Wieland, S.L. Uprichard, T. Wakita, F.V. Chisari, Robust hepatitis C virus infection in vitro, *Proc. Natl. Acad. Sci. U. S. A.* 102 (26) (2005) 9294–9299.
- [96] D. Lindenbach, M.J. Evans, A.J. Syder, B. Wolk, T.L. Tellinghuisen, C.C. Liu, T. Maruyama, R.O. Hynes, D.R. Burton, J.A. McKeating, C.M. Rice, Complete replication of hepatitis C virus in cell culture, *Science* 309 (5734) (2005) 623–626.
- [97] P. Pileri, Y. Uematsu, S. Campagnoli, G. Galli, F. Falugi, R. Petracca, A.J. Weiner, M. Houghton, D. Rosa, G. Grandi, S. Abrignani, Binding of hepatitis C virus to CD81, *Science* 282 (1998) 938–941.
- [98] S. Levy, S.C. Todd, H.T. Maecker, CD81 (TAPA-1): a molecule involved in signal transduction and cell adhesion in the immune system, *Annu. Rev. Immunol.* 16 (1998) 89–109.
- [99] R. Petracca, F. Falugi, G. Galli, N. Norais, D. Rosa, S. Campagnoli, V. Burgio, E. Di Stasio, B. Giardina, M. Houghton, S. Abrignani, G. Grandi, Structure–function analysis of hepatitis C virus envelope-CD81 binding, *J. Virol.* 74 (10) (2000) 4824–4830.
- [100] B. Bartosch, J. Dubuisson, F.L. Cosset, Infectious hepatitis C virus pseudo-particles containing functional E1–E2 envelope protein complexes, *J. Exp. Med.* 197 (5) (2003) 633–642.
- [101] E.G. Cormier, F. Tsamis, F. Kajumo, R.J. Durso, J.P. Gardner, T. Dragic, CD81 is an entry coreceptor for hepatitis C virus, *Proc. Natl. Acad. Sci. U. S. A.* 101 (19) (2004) 7270–7274.



- [102] J. Zhang, G. Randall, A. Higginbottom, P. Monk, C.M. Rice, J.A. McKeating, CD81 is required for hepatitis C virus glycoprotein-mediated viral infection, *J. Virol.* 78 (3) (2004) 1448–1455.
- [103] B. Bartosch, A. Vitelli, C. Granier, C. Goujon, J. Dubuisson, S. Pascale, E. Scarselli, R. Cortese, A. Nicosia, F.L. Cosset, Cell entry of hepatitis C virus requires a set of co-receptors that include the CD81 tetraspanin and the SR-B1 scavenger receptor, *J. Biol. Chem.* 278 (43) (2003) 41624–41630.
- [104] A. McKeating, L.Q. Zhang, C. Logvinoff, M. Flint, J. Zhang, J. Yu, D. Butera, D.D. Ho, L.B. Dustin, C.M. Rice, P. Balfe, Diverse hepatitis C virus glycoproteins mediate viral infection in a CD81-dependent manner, *J. Virol.* 78 (16) (2004) 8496–8505.
- [105] D. Lavillette, A.W. Tarr, C. Voisset, P. Donot, B. Bartosch, C. Bain, A.H. Patel, J. Dubuisson, J.K. Ball, F.L. Cosset, Characterization of host-range and cell entry properties of the major genotypes and subtypes of hepatitis C virus, *Hepatology* 41 (2) (2005) 265–274.
- [106] E. Scarselli, H. Ansuini, R. Cerino, R.M. Roccasecca, S. Acali, G. Filocamo, C. Traboni, A. Nicosia, R. Cortese, A. Vitelli, The human scavenger receptor class B type I is a novel candidate receptor for the hepatitis C virus, *EMBO J.* 21 (19) (2002) 5017–5025.
- [107] D. Rhoads, L. Brisette, The role of scavenger receptor class B type I (SR-BI) in lipid trafficking: defining the rules for lipid traders, *Int. J. Biochem. Cell Biol.* 36 (1) (2004) 39–77.
- [108] E. Yamada, M. Montoya, C.G. Schuettler, T.P. Hickling, A.W. Tarr, A. Vitelli, J. Dubuisson, A.H. Patel, J.K. Ball, P. Borrow, Analysis of the binding of hepatitis C virus genotype 1a and 1b E2 glycoproteins to peripheral blood mononuclear cell subsets, *J. Gen. Virol.* 86 (Pt 9) (2005) 2507–2512.
- [109] S. Acton, A. Rigotti, K.T. Landschulz, S. Xu, H.H. Hobbs, M. Krieger, Identification of scavenger receptor SR-BI as a high density lipoprotein receptor, *Science* 271 (5248) (1996) 518–520.
- [110] K.T. Landschulz, R.K. Pathak, A. Rigotti, M. Krieger, H.H. Hobbs, Regulation of scavenger receptor, class B, type I, a high density lipoprotein receptor, in liver and steroidogenic tissues of the rat, *J. Clin. Invest.* 98 (4) (1996) 984–995.
- [111] H. Barth, R. Cerino, M. Arcuri, M. Hoffmann, P. Schurmann, M.I. Adah, B. Gissler, X. Zhao, V. Ghisetti, B. Lavezzo, H.E. Blum, F. von Weizsacker, A. Vitelli, E. Scarselli, T.F. Baumert, Scavenger receptor class B type I and hepatitis C virus infection of primary tupaia hepatocytes, *J. Virol.* 79 (9) (2005) 5774–5785.
- [112] B. Bartosch, G. Verney, M. Drexler, P. Donot, Y. Morice, F. Penin, J.M. Pawlotsky, D. Lavillette, F.L. Cosset, An interplay between hypervariable region 1 of the hepatitis C virus E2 glycoprotein, the scavenger receptor BI, and high-density lipoprotein promotes both enhancement of infection and protection against neutralizing antibodies, *J. Virol.* 79 (13) (2005) 8217–8229.
- [113] D.D. Lavillette, Y. Morice, G. Germanidis, P. Donot, A. Soulier, E. Pagkalos, G. Sakellariou, L. Intrator, B. Bartosch, J.M. Pawlotsky, F.L. Cosset, Human serum facilitates hepatitis C virus infection, and neutralizing responses inversely correlate with viral replication kinetics at the acute phase of hepatitis C virus infection, *J. Virol.* 79 (10) (2005) 6023–6034.
- [114] J.C. Meunier, R.E. Engle, K. Faulk, M. Zhao, B. Bartosch, H. Alter, S.U. Emerson, F.L. Cosset, R.H. Purcell, J. Bukh, Evidence for cross-genotype neutralization of hepatitis C virus pseudo-particles and enhancement of infectivity by apolipoprotein C1, *Proc. Natl. Acad. Sci. U. S. A.* 102 (12) (2005) 4560–4565.
- [115] C. Voisset, N. Callens, E. Blanchard, A. Op De Beeck, J. Dubuisson, N. Vu-Dac, High density lipoproteins facilitate hepatitis C virus entry through the scavenger receptor class B type I, *J. Biol. Chem.* 280 (9) (2005) 7793–7799.
- [116] J.P. Gardner, R.J. Durso, R.R. Arrigale, G.P. Donovan, P.J. Maddon, T. Dragic, W.C. Olson, L-SIGN (CD 209L) is a liver-specific capture receptor for hepatitis C virus, *Proc. Natl. Acad. Sci. U. S. A.* 100 (8) (2003) 4498–4503.
- [117] Y. Lozach, H. Lortat-Jacob, A. de Lacroix de Lavalette, I. Staropoli, S. Fougere, A. Amara, C. Houles, F. Fieschi, O. Schwartz, J.L. Virelizier, F. Arenzana-Seisdedos, R. Altmeyer, DC-SIGN and L-SIGN are high affinity binding receptors for hepatitis C virus glycoprotein E2, *J. Biol. Chem.* 278 (22) (2003) 20358–20366.
- [118] S. Pohlmann, J. Zhang, F. Baribaud, Z. Chen, G.J. Leslie, G. Lin, A. Granelli-Piperno, R.W. Doms, C.M. Rice, J.A. McKeating, Hepatitis C virus glycoproteins interact with DC-SIGN and DC-SIGNR, *J. Virol.* 77 (7) (2003) 4070–4080.
- [119] B. Saunier, M. Triyatni, L. Ulianich, P. Maruvada, P. Yen, L.D. Kohn, Role of the asialoglycoprotein receptor in binding and entry of hepatitis C virus structural proteins in cultured human hepatocytes, *J. Virol.* 77 (1) (2003) 546–559.
- [120] E.G. Cormier, R.J. Durso, F. Tsamis, L. Boussemer, C. Manix, W.C. Olson, J.P. Gardner, T. Dragic, L-SIGN (CD209L) and DC-SIGN (CD209) mediate transinfection of liver cells by hepatitis C virus, *Proc. Natl. Acad. Sci. U. S. A.* 101 (39) (2004) 14067–14072.
- [121] Y. Lozach, A. Amara, B. Bartosch, J.L. Virelizier, F. Arenzana-Seisdedos, F.L. Cosset, R. Altmeyer, C-type lectins L-SIGN and DC-SIGN capture and transmit infectious hepatitis C virus pseudotype particles, *J. Biol. Chem.* 279 (31) (2004) 32035–32045.
- [122] V. Agnello, G. Abel, M. Elfahal, G.B. Knight, Q.X. Zhang, Hepatitis C virus and other flaviviridae viruses enter cells via low density lipoprotein receptor, *Proc. Natl. Acad. Sci. U. S. A.* 96 (22) (1999) 12766–12771.
- [123] M.J. Evans, T. von Hahn, D.M. Tscherne, A.J. Syder, M. Panis, B. Wolk, T. Hatzioannou, J.A. McKeating, P.D. Bieniasz, C.M. Rice, Claudin-1 is a hepatitis C virus co-receptor required for a late step in entry, *Nature* 446 (7137) (2007) 801–805.
- [124] R. Rijnbrand, P. Bredenbeek, T. van der Straaten, L. Whetter, G. Inchauspe, S. Lemon, W. Spaan, Almost the entire 5' non-translated region of hepatitis C virus is required for cap-independent translation, *FEBS Lett.* 365 (2-3) (1995) 115–119.
- [125] B.J. Yoo, R.R. Spaete, A.P. Geballe, M. Selby, M. Houghton, J.H. Han, 5' end-dependent translation initiation of hepatitis C viral RNA and the presence of putative positive and negative translational control elements within the 5' untranslated region, *Virology* 191 (2) (1992) 889–899.
- [126] U. Hellen, T.V. Pestova, Translation of hepatitis C virus RNA, *J. Viral Hepatitis* 6 (2) (1999) 79–87.
- [127] H.H. Lu, E. Wimmer, Poliovirus chimeras replicating under the translational control of genetic elements of hepatitis C virus reveal unusual properties of the internal ribosomal entry site of hepatitis C virus, *Proc. Natl. Acad. Sci. U. S. A.* 93 (4) (1996) 1412–1417.
- [128] J.E. Reynolds, A. Kaminski, H.J. Kettinen, K. Grace, B.E. Clarke, A.R. Carroll, D.J. Rowlands, R.J. Jackson, Unique features of internal initiation of hepatitis C virus RNA translation, *EMBO J.* 14 (23) (1995) 6010–6020.
- [129] M. Spahn, J.S. Kieft, R.A. Grassucci, P.A. Penczek, K. Zhou, J.A. Doudna, J. Frank, Hepatitis C virus IRES RNA-induced changes in the conformation of the 40s ribosomal subunit, *Science* 291 (5510) (2001) 1959–1962.
- [130] A. Otto, J.D. Puglisi, The pathway of HCV IRES-mediated translation initiation, *Cell* 119 (3) (2004) 369–380.
- [131] N. Ali, G.J. Pruijn, D.J. Kenan, J.D. Keene, A. Siddiqui, Human La antigen is required for the hepatitis C virus internal ribosome entry site-mediated translation, *J. Biol. Chem.* 275 (36) (2000) 27531–27540.
- [132] N. Ali, A. Siddiqui, The La antigen binds 5' noncoding region of the hepatitis C virus RNA in the context of the initiator AUG codon and stimulates internal ribosome entry site-mediated translation, *Proc. Natl. Acad. Sci. U. S. A.* 94 (6) (1997) 2249–2254.
- [133] T. Isoyama, N. Kamoshita, K. Yasui, A. Iwai, K. Shiroki, H. Toyoda, A. Yamada, Y. Takasaki, A. Nomoto, Lower concentration of La protein required for internal ribosome entry on hepatitis C virus RNA than on poliovirus RNA, *J. Gen. Virol.* 80 (Pt 9) (1999) 2319–2327.
- [134] B. Hahm, Y.K. Kim, J.H. Kim, T.Y. Kim, S.K. Jang, Heterogeneous nuclear ribonucleoprotein L interacts with the 3' border of the internal ribosomal entry site of hepatitis C virus, *J. Virol.* 72 (11) (1998) 8782–8788.
- [135] I.S. Fukushi, M. Okada, T. Kageyama, F.B. Hoshino, K. Nagai, K. Katayama, Interaction of poly(rC)-binding protein 2 with the 5'-terminal stem loop of the hepatitis C-virus genome, *Virus Res.* 73 (1) (2001) 67–79.



- [136] A. Anwar, N. Ali, R. Tanveer, A. Siddiqui, Demonstration of functional requirement of polypyrimidine tract-binding protein by SELEX RNA during hepatitis C virus internal ribosome entry site-mediated translation initiation, *J. Biol. Chem.* 275 (44) (2000) 34231–34235.
- [137] T. Shimoike, S. Mimori, H. Tani, Y. Matsuura, T. Miyamura, Interaction of hepatitis C virus core protein with viral sense RNA and suppression of its translation, *J. Virol.* 73 (12) (1999) 9718–9725.
- [138] Y. Tanaka, T. Shimoike, K. Ishii, R. Suzuki, T. Suzuki, H. Ushijima, Y. Matsuura, T. Miyamura, Selective binding of hepatitis C virus core protein to synthetic oligonucleotides corresponding to the 5' untranslated region of the viral genome, *Virology* 270 (1) (2000) 229–236.
- [139] T. Shimoike, C. Koyama, K. Murakami, R. Suzuki, Y. Matsuura, T. Miyamura, T. Suzuki, Down-regulation of the internal ribosome entry site (IRES)-mediated translation of the hepatitis C virus: critical role of binding of the stem-loop IIIId domain of IRES and the viral core protein, *Virology* 345 (2) (2006) 434–445.
- [140] J. Zhang, O. Yamada, H. Yoshida, T. Iwai, H. Araki, Autogenous translational inhibition of core protein: implication for switch from translation to RNA replication in hepatitis C virus, *Virology* 293 (1) (2002) 141–150.
- [141] D. Li, S.T. Takyar, W.B. Lott, E.J. Gowans, Amino acids 1–20 of the hepatitis C virus (HCV) core protein specifically inhibit HCV IRES-dependent translation in HepG2 cells, and inhibit both HCV IRES- and cap-dependent translation in Huh7 and CV-1 cells, *J. Gen. Virol.* 84 (Pt 4) (2003) 815–825.
- [142] T.H. Wang, R.C. Rijnbrand, S.M. Lemon, Core protein-coding sequence, but not core protein, modulates the efficiency of cap-independent translation directed by the internal ribosome entry site of hepatitis C virus, *J. Virol.* 74 (23) (2000) 11347–11358.
- [143] J.L. Walewski, T.R. Keller, D.D. Stump, A.D. Branch, Evidence for a new hepatitis C virus antigen encoded in an overlapping reading frame, *RNA* 7 (5) (2001) 710–721.
- [144] Z. Xu, J. Choi, T.S. Yen, W. Lu, A. Strohecker, S. Govindarajan, D. Chien, M.J. Selby, J. Ou, Synthesis of a novel hepatitis C virus protein by ribosomal frameshift, *EMBO J.* 20 (14) (2001) 3840–3848.
- [145] A. Varaklioti, N. Vassilaki, U. Georgopoulou, P. Mavromara, Alternate translation occurs within the core coding region of the hepatitis C viral genome, *J. Biol. Chem.* 277 (20) (2002) 17713–17721.
- [146] P. Hüsey, H. Langen, J. Mous, H. Jacobsen, Hepatitis C virus core protein: carboxy-terminal boundaries of two processed species suggest cleavage by a signal peptide peptidase, *Virology* 224 (1996) 93–104.
- [147] J. McLauchlan, M.K. Lemberg, G. Hope, B. Martoglio, Intramembrane proteolysis promotes trafficking of hepatitis C virus core protein to lipid droplets, *EMBO J.* 21 (15) (2002) 3980–3988.
- [148] M.K. Lemberg, B. Martoglio, Requirements for signal peptide peptidase-catalyzed intramembrane proteolysis, *Mol. Cell* 10 (4) (2002) 735–744.
- [149] K. Okamoto, K. Moriishi, T. Miyamura, Y. Matsuura, Intramembrane proteolysis and endoplasmic reticulum retention of hepatitis C virus core protein, *J. Virol.* 78 (12) (2004) 6370–6380.
- [150] A. Weihofen, K. Binns, M.K. Lemberg, K. Ashman, B. Martoglio, Identification of signal peptide peptidase, a presenilin-type aspartic protease, *Science* 296 (5576) (2002) 2215–2218.
- [151] R. Bartenschlager, L. Ahlborn-Laake, J. Mous, H. Jacobsen, Kinetic and structural analyses of hepatitis C virus polyprotein processing, *J. Virol.* 68 (1994) 5045–5055.
- [152] C. Failla, L. Tomei, R. De Francesco, An amino-terminal domain of the hepatitis C virus NS3 protease is essential for interaction with NS4A, *J. Virol.* 69 (3) (1995) 1769–1777.
- [153] C. Lin, B.M. Pragai, A. Grakoui, J. Xu, C.M. Rice, Hepatitis C virus NS3 serine proteinase: *trans*-cleavage requirements and processing kinetics, *J. Virol.* 68 (1994) 8147–8157.
- [154] Y. Tanji, M. Hijikata, Y. Hirowatari, K. Shimotohno, Hepatitis C virus polyprotein processing: kinetics and mutagenic analysis of serine proteinase-dependent cleavage, *J. Virol.* 68 (1994) 8418–8422.
- [155] H. Aizaki, K.J. Lee, V.M. Sung, H. Ishiko, M.M. Lai, Characterization of the hepatitis C virus RNA replication complex associated with lipid rafts, *Virology* 324 (2) (2004) 450–461.
- [156] N. Ali, K.D. Tardif, A. Siddiqui, Cell-free replication of the hepatitis C virus subgenomic replicon, *J. Virol.* 76 (23) (2002) 12001–12007.
- [157] V.C. Lai, S. Dempsey, J.Y. Lau, Z. Hong, W. Zhong, In vitro RNA replication directed by replicase complexes isolated from the subgenomic replicon cells of hepatitis C virus, *J. Virol.* 77 (3) (2003) 2295–2300.
- [158] Y. Miyanari, M. Hijikata, M. Yamaji, M. Hosaka, H. Takahashi, K. Shimotohno, Hepatitis C virus non-structural proteins in the probable membranous compartment function in viral genome replication, *J. Biol. Chem.* 278 (50) (2003) 50301–50308.
- [159] R.W. Hardy, J. Marcotrigiano, K.J. Blight, J.E. Majors, C.M. Rice, Hepatitis C virus RNA synthesis in a cell-free system isolated from replicon-containing hepatoma cells, *J. Virol.* 77 (3) (2003) 2029–2037.
- [160] S.T. Shi, K.J. Lee, H. Aizaki, S.B. Hwang, M.M. Lai, Hepatitis C virus RNA replication occurs on a detergent-resistant membrane that cofractionates with caveolin-2, *J. Virol.* 77 (7) (2003) 4160–4168.
- [161] U. Pfeifer, R. Thomssen, K. Legler, U. Bottcher, W. Gerlich, E. Weinmann, O. Klinge, Experimental non-A, non-B hepatitis: four types of cytoplasmic alteration in hepatocytes of infected chimpanzees, *Virchows Arch., B Cell Pathol. Incl. Mol. Pathol.* 33 (3) (1980) 233–243.
- [162] G. Mottola, G. Cardinali, A. Ceccacci, C. Trozzi, L. Bartholomew, M.R. Torrisi, E. Pedrazzini, S. Bonatti, G. Migliaccio, Hepatitis C virus nonstructural proteins are localized in a modified endoplasmic reticulum of cells expressing viral subgenomic replicons, *Virology* 293 (1) (2002) 31–43.
- [163] T. Pietschmann, V. Lohmann, G. Rutter, K. Kurpanek, R. Bartenschlager, Characterization of cell lines carrying self-replicating hepatitis C virus RNAs, *J. Virol.* 75 (3) (2001) 1252–1264.
- [164] G. Waris, S. Sarker, A. Siddiqui, Two-step affinity purification of the hepatitis C virus ribonucleoprotein complex, *RNA* 10 (2) (2004) 321–329.
- [165] T. Umehara, M. Sudoh, F. Yasui, C. Matsuda, Y. Hayashi, K. Chayama, M. Kohara, Serine palmitoyltransferase inhibitor suppresses HCV replication in a mouse model, *Biochem. Biophys. Res. Commun.* 346 (1) (2006) 67–73.
- [166] H. Sakamoto, K. Okamoto, M. Aoki, H. Kato, A. Katsume, A. Ohta, T. Tsukuda, N. Shimma, Y. Aoki, M. Arisawa, M. Kohara, M. Sudoh, Host sphingolipid biosynthesis as a target for hepatitis C virus therapy, *Nat. Chem. Biol.* 1 (6) (2005) 333–337.
- [167] I. Hamamoto, Y. Nishimura, T. Okamoto, H. Aizaki, M. Liu, Y. Mori, T. Abe, T. Suzuki, M.M. Lai, T. Miyamura, K. Moriishi, Y. Matsuura, Human VAP-B is involved in hepatitis C virus replication through interaction with NS5A and NS5B, *J. Virol.* 79 (21) (2005) 13473–13482.
- [168] T. Okamoto, Y. Nishimura, T. Ichimura, K. Suzuki, T. Miyamura, T. Suzuki, K. Moriishi, Y. Matsuura, Hepatitis C virus RNA replication is regulated by FKBP8 and Hsp90, *EMBO J.* 25 (20) (2006) 5015–5025.
- [169] J. Ye, C. Wang, R. Sumpter Jr., M.S. Brown, J.L. Goldstein, M. Gale Jr., Disruption of hepatitis C virus RNA replication through inhibition of host protein geranylgeranylation, *Proc. Natl. Acad. Sci. U. S. A.* 100 (26) (2003) 15865–15870.
- [170] S.B. Kapadia, F.V. Chisari, Hepatitis C virus RNA replication is regulated by host geranylgeranylation and fatty acids, *Proc. Natl. Acad. Sci. U. S. A.* 102 (7) (2005) 2561–2566.
- [171] T.L. Tan, H. Nakao, Y. He, S. Vijaysri, P. Neddermann, B.L. Jacobs, B.J. Mayer, M.G. Katze, NS5A, a nonstructural protein of hepatitis C virus, binds growth factor receptor-bound protein 2 adaptor protein in a Src homology 3 domain/ligand-dependent manner and perturbs mitogenic signaling, *Proc. Natl. Acad. Sci. U. S. A.* 96 (10) (1999) 5533–5538.
- [172] K. Ghosh, M. Majumder, R. Steele, P. Yaciuk, J. Chrivia, R. Ray, R.B. Ray, Hepatitis C virus NS5A protein modulates transcription through a novel cellular transcription factor SRCAP, *J. Biol. Chem.* 275 (10) (2000) 7184–7188.
- [173] K.M. Chung, J. Lee, J.E. Kim, O.K. Song, S. Cho, J. Lim, M. Seedorf, B. Hahn, S.K. Jang, Nonstructural protein 5A of hepatitis C virus inhibits the function of karyopherin beta3, *J. Virol.* 74 (11) (2000) 5233–5241.
- [174] T. Burckstummer, M. Kriegs, J. Lupberger, E.K. Pauli, S. Schmittl, E. Hildt, Raf-1 kinase associates with Hepatitis C virus NS5A and regulates viral replication, *FEBS Lett.* 580 (2) (2006) 575–580.
- [175] M. Ikeda, K. Abe, M. Yamada, H. Dansako, K. Naka, N. Kato, Different anti-HCV profiles of statins and their potential for combination therapy with interferon, *Hepatology* 44 (1) (2006) 117–125.

- [176] K. Watashi, N. Ishii, M. Hijikata, D. Inoue, T. Murata, Y. Miyanari, K. Shimotohno, Cyclophilin B is a functional regulator of hepatitis C virus RNA polymerase, *Mol. Cell* 19 (1) (2005) 111–122.
- [177] P.Y. Goh, Y.J. Tan, S.P. Lim, Y.H. Tan, S.G. Lim, F. Fuller-Pace, W. Hong, Cellular RNA helicase p68 relocalization and interaction with the hepatitis C virus (HCV) NS5B protein and the potential role of p68 in HCV RNA replication, *J. Virol.* 78 (10) (2004) 5288–5298.
- [178] M. Hirano, S. Kaneko, T. Yamashita, H. Luo, W. Qin, Y. Shiota, T. Nomura, K. Kobayashi, S. Murakami, Direct interaction between nucleolin and hepatitis C virus NS5B, *J. Biol. Chem.* 278 (7) (2003) 5109–5115.
- [179] T. Shimakami, M. Honda, T. Kusakawa, T. Murata, K. Shimotohno, S. Kaneko, S. Murakami, Effect of hepatitis C virus (HCV) NS5B-nucleolin interaction on HCV replication with HCV subgenomic replicon, *J. Virol.* 80 (7) (2006) 3332–3340.
- [180] S. Kim, S.K. Seol, O.K. Song, J.H. Park, S.K. Jang, An RNA-binding protein, hnRNP A1, and a scaffold protein, Septin 6, facilitate hepatitis C virus replication, *J. Virol.* 81 (8) (2007) 3852–3865.
- [181] N. Ali, A. Siddiqui, Interaction of polypyrimidine tract-binding protein with the 5' noncoding region of the hepatitis C virus RNA genome and its functional requirement in internal initiation of translation, *J. Virol.* 69 (10) (1995) 6367–6375.
- [182] T. Ito, M.M. Lai, Determination of the secondary structure of and cellular protein binding to the 3'-untranslated region of the hepatitis C virus RNA genome, *J. Virol.* 71 (11) (1997) 8698–8706.
- [183] K. Murakami, M. Abe, T. Kageyama, N. Kamoshita, A. Nomoto, Down-regulation of translation driven by hepatitis C virus internal ribosomal entry site by the 3' untranslated region of RNA, *Arch. Virol.* 146 (4) (2001) 729–741.
- [184] K. Tsuchihara, T. Tanaka, M. Hijikata, S. Kuge, H. Toyoda, A. Nomoto, N. Yamamoto, K. Shimotohno, Specific interaction of polypyrimidine tract-binding protein with the extreme 3'-terminal structure of the hepatitis C virus genome, the 3'X, *J. Virol.* 71 (9) (1997) 6720–6726.
- [185] H. Aizaki, K.S. Choi, M. Liu, Y.J. Li, M.M. Lai, Polypyrimidine-tract-binding protein is a component of the HCV RNA replication complex and necessary for RNA synthesis, *J. Biomed. Sci.* 13 (4) (2006) 469–480.
- [186] M. Kaito, S. Watanabe, K. Tsukiyama-Kohara, K. Yamaguchi, Y. Kobayashi, M. Konishi, M. Yokoi, S. Ishida, S. Suzuki, M. Kohara, Hepatitis C virus particle detected by immunoelectron microscopic study, *J. Gen. Virol.* 75 (1994) 1755–1760.
- [187] Y.K. Shimizu, S.M. Feinstone, M. Kohara, R.H. Purcell, H. Yoshikura, Hepatitis C virus: detection of intracellular virus particles by electron microscopy, *Hepatology* 23 (1996) 205–209.
- [188] P. Maillard, K. Krawczynski, J. Nitkiewicz, C. Bronnert, M. Sidorkiewicz, P. Gounon, J. Dubuisson, G. Faure, R. Crainic, A. Budkowska, Nonenveloped nucleocapsids of hepatitis C virus in the serum of infected patients, *J. Virol.* 75 (17) (2001) 8240–8250.
- [189] P. Andre, F. Komurian-Pradel, S. Deforges, M. Perret, J.L. Berland, M. Sodoyer, S. Pol, C. Brechot, G. Paranhos-Baccala, V. Lotteau, Characterization of low- and very-low-density hepatitis C virus RNA-containing particles, *J. Virol.* 76 (14) (2002) 6919–6928.
- [190] M. Kunkel, M. Lorinczi, R. Rijnbrand, S.M. Lemon, S.J. Watowich, Self-assembly of nucleocapsid-like particles from recombinant hepatitis C virus core protein, *J. Virol.* 75 (5) (2001) 2119–2129.
- [191] L.J. Lorenzo, S. Duenas-Carrera, V. Falcon, N. Acosta-Rivero, E. Gonzalez, M.C. de la Rosa, I. Menendez, J. Morales, Assembly of truncated HCV core antigen into virus-like particles in *Escherichia coli*, *Biochem. Biophys. Res. Commun.* 281 (4) (2001) 962–965.
- [192] N. Acosta-Rivero, J.C. Aguilar, A. Musacchio, V. Falcon, A. Vina, M.C. de la Rosa, J. Morales, Characterization of the HCV core virus-like particles produced in the methylotrophic yeast *Pichia pastoris*, *Biochem. Biophys. Res. Commun.* 287 (1) (2001) 122–125.
- [193] E. Blanchard, C. Hourieux, D. Brand, M. Ait-Goughoulte, A. Moreau, S. Trassard, P.Y. Sizaret, F. Dubois, P. Roingeard, Hepatitis C virus-like particle budding: role of the core protein and importance of its Asp111, *J. Virol.* 77 (18) (2003) 10131–10138.
- [194] N. Majeau, V. Gagne, A. Boivin, M. Bolduc, J.A. Majeau, D. Ouellet, D. Leclerc, The N-terminal half of the core protein of hepatitis C virus is sufficient for nucleocapsid formation, *J. Gen. Virol.* 85 (Pt 4) (2004) 971–981.
- [195] C. Klein, S.J. Polyak, J.R. Lingappa, Unique features of hepatitis C virus capsid formation revealed by de novo cell-free assembly, *J. Virol.* 78 (17) (2004) 9257–9269.
- [196] M. Matsumoto, S.B. Hwang, K.S. Jeng, N. Zhu, M.M. Lai, Homotypic interaction and multimerization of hepatitis C virus core protein, *Virology* 218 (1) (1996) 43–51.
- [197] O. Nolandt, V. Kern, H. Muller, E. Pfaff, L. Theilmann, R. Welker, H.G. Krausslich, Analysis of hepatitis C virus core protein interaction domains, *J. Gen. Virol.* 78 (Pt 6) (1997) 1331–1340.
- [198] S. Yan, M.H. Tam, W.J. Syu, Self-association of the C-terminal domain of the hepatitis-C virus core protein, *Eur. J. Biochem.* 258 (1) (1998) 100–106.
- [199] H.J. Ezelle, D. Markovic, G.N. Barber, Generation of hepatitis C virus-like particles by use of a recombinant vesicular stomatitis virus vector, *J. Virol.* 76 (23) (2002) 12325–12334.
- [200] K. Murakami, K. Ishii, Y. Ishihara, S. Yoshizaki, K. Tanaka, Y. Gotoh, H. Aizaki, M. Kohara, H. Yoshioka, Y. Mori, N. Manabe, I. Shoji, T. Sata, R. Bartenschlager, Y. Matsuura, T. Miyamura, T. Suzuki, Production of infectious hepatitis C virus particles in three-dimensional cultures of the cell line carrying the genome-length dicistronic viral RNA of genotype 1b, *Virology* 351 (2) (2006) 381–392.
- [201] S.-Y. Lo, M.J. Selby, J.-H. Ou, Interaction between hepatitis C virus core protein and E1 envelope protein, *J. Virol.* 70 (1996) 5177–5182.
- [202] H.C. Ma, C.H. Ke, T.Y. Hsieh, S.Y. Lo, The first hydrophobic domain of the hepatitis C virus E1 protein is important for interaction with the capsid protein, *J. Gen. Virol.* 83 (Pt 12) (2002) 3085–3092.
- [203] A. Serafino, M.B. Valli, F. Andreola, A. Crema, G. Ravagnan, L. Bertolini, G. Carloni, Suggested role of the Golgi apparatus and endoplasmic reticulum for crucial sites of hepatitis C virus replication in human lymphoblastoid cells infected in vitro, *J. Med. Virol.* 70 (1) (2003) 31–41.
- [204] K. Sato, H. Okamoto, S. Aihara, Y. Hoshi, T. Tanaka, S. Mishiro, Demonstration of sugar moiety on the surface of hepatitis C virions recovered from the circulation of infected humans, *Virology* 196 (1993) 354–357.

## Review

### **Molecular biology of hepatitis C virus**

TETSURO SUZUKI, HIDEKI AIZAKI, KYOKO MURAKAMI, IKUO SHOJI, and TAKAJI WAKITA

Department of Virology II, National Institute of Infectious Diseases, 1-23-1 Toyama, Shinjuku-ku, Tokyo 162-8640, Japan

Infection with hepatitis C virus (HCV), which is distributed worldwide, often becomes persistent, causing chronic hepatitis, cirrhosis, and hepatocellular carcinoma. For many years, the characterization of the HCV genome and its products has been done by heterologous expression systems because of the lack of a productive cell culture system. The development of the HCV replicon system is a highlight of HCV research and has allowed examination of the viral RNA replication in cell culture. Recently, a robust system for production of recombinant infectious HCV has been established, and classical virological techniques are now able to be applied to HCV. This development of reverse genetics-based experimental tools in HCV research can bring a greater understanding of the viral life cycle and pathogenesis of HCV-induced diseases. This review summarizes the current knowledge of cell culture systems for HCV research and recent advances in the investigation of the molecular virology of HCV.

**Key words:** hepatitis C virus, translation, polyprotein processing, RNA replication, viral assembly, ubiquitin

#### **Introduction**

Hepatitis C virus (HCV), discovered in 1989, is a major etiologic agent of posttransfusion- and sporadic non-A, non-B hepatitis<sup>1</sup> and at present infects approximately 200 million people worldwide.<sup>2,3</sup> Persistent infection with HCV is associated with the development of chronic hepatitis, hepatic steatosis, cirrhosis, and hepatocellular carcinoma.<sup>3,4-8</sup> HCV is a small, enveloped RNA virus that belongs to the *Hepacivirus* genus of the *Flaviviridae* family.<sup>9,10</sup> Its genome consists of a single-strand of

positive-sense RNA of approximately 9.6kb, which contains an open reading frame (ORF) coding for a polyprotein precursor of approximately 3000 residues.<sup>11</sup> The precursor is cleaved into at least ten different proteins: the structural proteins core, E1, E2, and p7, and the nonstructural proteins NS2, NS3, NS4A, NS4B, NS5A, and NS5B (Fig. 1).

To date, six major genotypes of HCV have been identified that differ by 31%–34% in their nucleotide sequence and by about 30% in their amino acid sequence. It has been shown that HCV, like many other RNA viruses, circulates in infected individuals as a population of diverse but closely related variants referred to as quasispecies.<sup>12</sup> This quasispecies model of mixed virus populations may confer a significant survival advantage, because the simultaneous presence of multiple variant genomes and the high rate of generation of new variants allows rapid selection of mutants better suited to new environmental conditions.<sup>13</sup>

Specific anti-HCV drugs that efficiently block virus production are not yet available. The current standard care is combination therapy with interferon (IFN)- $\alpha$  and the nucleoside analog ribavirin, which cures about 40% of hepatitis C patients infected by HCV genotype 1, the most prevalent genotype in industrialized countries, and about 80% of those infected by genotype 2 or 3.<sup>14,15</sup> Since many patients still do not benefit from the treatment and IFN therapy is associated with undesirable side effects such as headache, fever, severe depression, myalgia, arthralgia, and hemolytic anemia, development of innovative treatment alternatives for hepatitis C patients is immediately needed. Studies of HCV life cycle in cell cultures have been greatly facilitated by the development of genetically engineered viral genomes that are capable of self-amplifying to high levels (replicon system), and by recent establishment of a production system for recombinant infectious HCV. Such progress will aid in the development of significantly improved HCV antiviral agents.

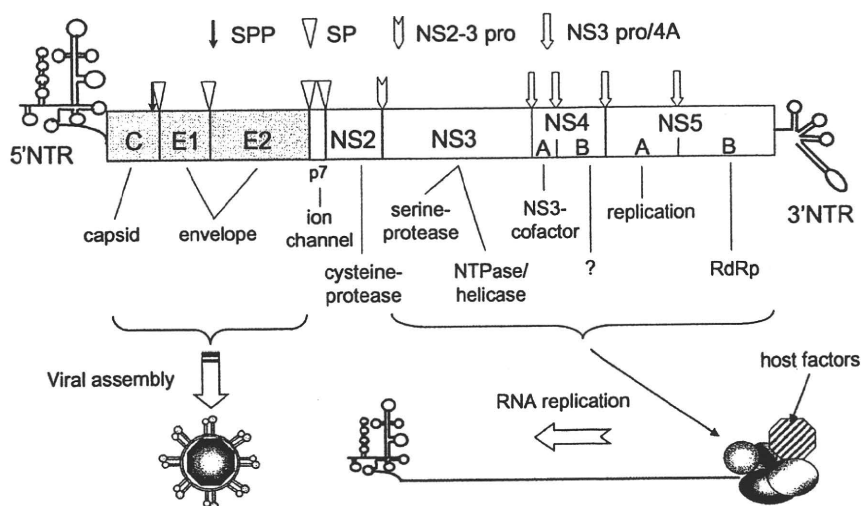


Fig. 1. Hepatitis C virus (HCV) genome organization and polyprotein processing. Posttranslational cleavages by signal peptide peptidase (SPP), signal peptidase (SP), NS2-NS3 protease (NS2-3 pro), and NS3 protease and NS4A complex (NS3 pro/4A) lead to the production of functional HCV proteins. NTR, non-translated region

### Cell culture systems for HCV research

Although substantial information on HCV protein structure and function has been obtained from the use of a variety of cell culture and in vitro expression systems, for many years, HCV research has been hampered by the restricted host range and the inefficiency of cell culture models for viral infection and propagation. The development of the HCV replicon system, therefore, is a milestone in HCV research and has allowed examination of viral RNA replication in cell culture.<sup>16</sup> Expression systems of heterologous virus genes based on RNA replicons have been established in a variety of positive-strand RNA viruses such as polio virus,<sup>17-20</sup> the alphavirus Semliki Forest virus,<sup>21</sup> Sindbis virus,<sup>22-25</sup> Kunjin virus,<sup>26</sup> human rhinovirus 14,<sup>27</sup> and bovine viral diarrhea virus.<sup>28</sup> In general, advantages of replicon systems are (1) a high level of gene expression and RNA replication, (2) easy construction of recombinants, and (3) a wide permissible host range.

The HCV replicons are typically composed of selectable, bicistronic RNA, with the first cistron containing the HCV 5' nontranslated region (NTR), which directs translation of the gene encoding the neomycin phosphotransferase, and the second cistron containing the internal ribosome entry site (IRES) of the encephalomyocarditis virus, which directs translation of HCV NS3 through NS5B region, and the 3' NTR. The prototype subgenomic replicon utilized a particular HCV genotype 1b clone termed Con1. Following transfection of RNA generated by in vitro transcription of the cloned replicon sequences into a human hepatoma cell line Huh-7, antibiotic G418-resistant cells could be obtained in which the subgenomic RNA replicated autonomously. RNA replication was first detected at relatively low frequency, followed by the identification of replicons harboring cell culture-adaptive mutations, which in-

creased the efficiency of replication initiation by several orders of magnitude.<sup>29-31</sup>

Adaptive mutations were found primarily at the N-terminus of the NS3 helicase, in NS4B, and in the center of NS5A, which is upstream of the region putatively involved in IFN sensitivity. Most of the mutations in NS5A are located at highly conserved serine residues and lead to change in the phosphorylation state of NS5A.<sup>32,33</sup> A combination of adaptive mutation in NS3 and NS5A resulted in the highest level of replication of a particular HCV genotype 1b isolate.<sup>31</sup> Later work, however, has indicated that adaptive mutations can arise in most of the viral nonstructural proteins.<sup>34,35</sup> The mechanisms by which adaptive mutations increase RNA replication efficiency are not well understood.

In the last 7 years, a variety of different replicons have been generated, including replicons with reporters or markers such as luciferase and green fluorescent protein, replicons from genotype 1a and 2a, and genome-length dicistronic HCV RNAs (genomic HCV replicons). HCV replicons with reporter genes allow us to execute fast and reproducible screening of large series of compounds for antivirals.<sup>36-38</sup> Huh-7 cells are the most permissive for HCV replicons. However, variability in the permissiveness for replicons has been observed for a given Huh-7 cell pool, and the cells that are able to support efficient replication of the viral genome are enriched during selection such as G418 treatment. A so-called "cured" cell clone, which can be prepared by removing the replicons by treatment with IFN, supports viral replication to a much higher level in many cases and is useful for introducing genome-length HCV RNAs.<sup>39,40</sup>

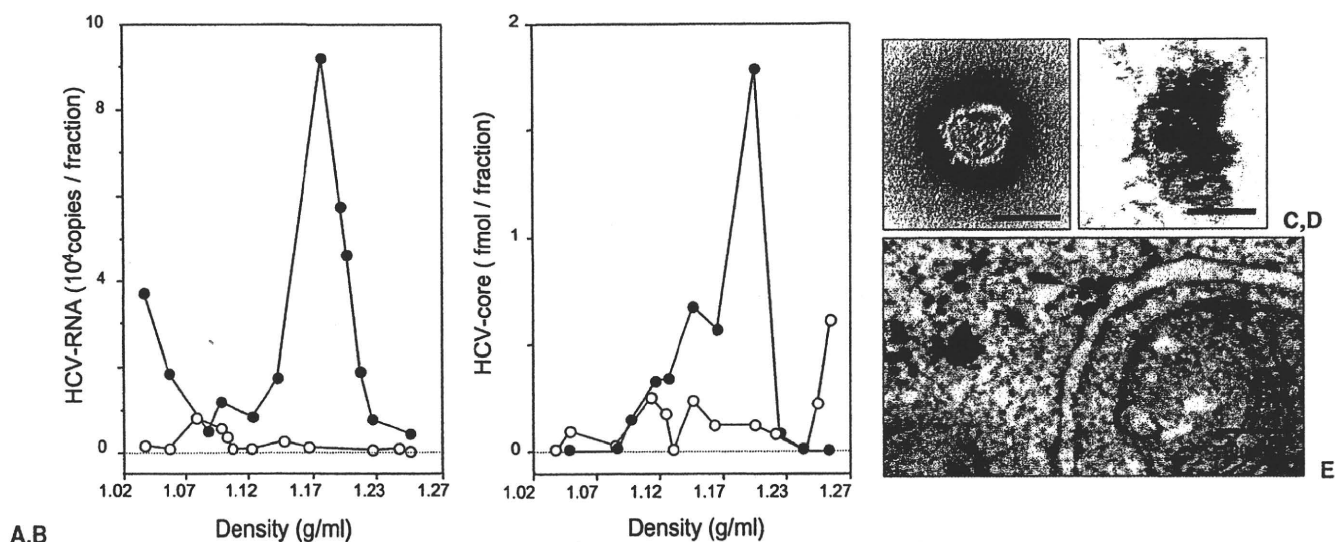
An HCV genotype 2a replicon with the JFH-1 strain, which was first isolated from the serum of a Japanese patient with fulminant hepatitis C by our group,<sup>41</sup> replicates efficiently in not only Huh-7 cells but also other

hepatocyte-derived cell lines, HepG2 and IMY-N9, and nonhepatocyte-derived cell lines, HeLa and 293.<sup>42-44</sup> Interestingly, the JFH-1 replicon does not require adaptive mutations for replicating in these cell lines, and enormously efficient RNA replication is detected by transient replication assay as well as by colony formation assay with G418 selection,<sup>42</sup> suggesting that the JFH-1 genome can replicate autonomously without the help of drug selection or the requirement of adaptive mutations. This observation laid the basis for a breakthrough in HCV research.

Transfection of the full-length JFH-1 genome into Huh-7 cells leads to the production of HCV particles that are infectious both for naïve cells and for animal models.<sup>45</sup> As a first attempt, an in vitro transcribed full-length JFH-1 RNA was introduced into naïve Huh-7 cells, which is the original cell line used for subgenomic replicon studies. Efficient RNA replication in the transfected cells was detectable by Northern blot analysis, and the viral-enveloped particles, which are spherical structures with an outer diameter of approximately 55 nm, were secreted to the culture medium.<sup>45</sup> Secreted virus was found to be infectious, although at low efficiency, for naïve Huh-7 cells, and its infectivity can be neutralized by anti-CD81 antibody and hepatitis C patients' sera.<sup>45</sup> Subsequently, to increase the infection efficiency, "cured" Huh-7 cell lines such as Huh7.5, Huh7.5.1, and Huh7-Lunet were used. Infectivity of these cured cell lines with JFH-1 became more intense

compared with standard Huh-7 cells, and the virus titers released from cells freshly transfected with the JFH-1 genome were markedly increased by continuous passage of the cells carrying persistent replicating viral RNA.<sup>46</sup> Further, chimeric constructs with the core to NS2 region of another genotype 2a clone, J6, improved the infectivity.<sup>47</sup> Thus, this recombinant infectious HCV cell culture system opens avenues of biochemical and genetic studies of the HCV life cycle.

Besides isolating functional molecular clones of HCV that replicate to high levels, to generate a cell culture model that mimics natural host cell environments may be advantageous for improving HCV production systems suitable for studying the virus-host interaction. It is likely that HCV morphogenesis occurs in a complex cellular environment in which host factors may either enhance or reduce the assembly and budding process. Generally, the interaction of viruses with polarized epithelia in the host is one of the key steps in the viral life cycle. A variety of enveloped viruses mature and bud from distinct membrane domains of the host cells.<sup>48-51</sup> We found that a dicistronic HCV genome of genotype 1b supports the production and secretion of infectious HCV particles in two independent three-dimensional (3D) culture systems, the radial-flow bioreactor (RFB) and the thermoreversible gelation polymer (TGP), but not in monolayer cultures, although its productivity is much lower than that observed in the JFH-1 system<sup>52</sup> (Fig. 2). The RFB system was initially aimed at the



**Fig. 2A-E.** Production of HCV particles in the three-dimensional, thermoreversible gelatin polymer (TGP) culture of the Huh-7 cell line (RCYM1) carrying genome-length dicistronic HCV RNA of genotype 1b. **A, B** Sucrose density gradient analysis of culture supernatants of RCYM1 cells. The culture supernatants were fractionated and then HCV RNA (**A**) and core protein (**B**) in each fraction were determined by enzyme-linked immunosorbent assay and real-time reverse transcription polymerase chain reaction, respectively. *Closed circles*, TGP culture; *open circles*, monolayer culture. **C, D** Electron microscopy of HCV particles in the supernatants of TGP-cultured RCYM1 cells. **C** Negative staining. **D** Immunogold labeling with an anti-E2 antibody. Gold particles, 5 nm; bars, 50 nm. **E** Silver-intensified immunogold staining with anti-E1 antibody. The *arrowhead* indicates virus-like particles reacting with anti-E1 antibody



development of artificial liver tissue, and the bioreactor column consists of a vertically extended cylindrical matrix through which liquid medium flows continuously from the periphery toward the center of the reactor.<sup>53</sup> In RFB culture, human hepatocyte-derived cells can grow spherically or cubically, and they retain liver functions such as albumin synthesis<sup>53-55</sup> and drug-metabolizing activity mediated by cytochrome P450 3A4.<sup>56</sup> TGP is a chemically synthesized biocompatible polymer which has a sol-gel transition temperature, thus enabling us to culture cells three-dimensionally in the gel phase at 37°C and to harvest them in the sol phase at 4°C, without enzyme digestion.<sup>57</sup> In contrast to other matrix gels made from conventional natural polymers, TGP has several advantages that allow us to investigate the functional characteristics of epithelial cells, their tissue-like morphology, and their potential clinical applications. For example, the use of 3D culture materials other than TGP requires treatment with appropriate digestive enzymes or heating to collect cells grown as spheroids from the culture media, and the matrices may damage the cultured cells to some extent. A 3D culture system based on RFB and TGP, in which human hepatoma cells can assemble into spheroids with potentially polarized morphology, is a valuable tool in studies of HCV morphogenesis.

### Translation

The approximately 341-nucleotide (nt)-long 5' NTR is one of the most conserved regions of the HCV genome, and the secondary structural model, which is also largely conserved, reveals four distinct RNA domains in the region, reflecting its importance in both viral translation and replication.<sup>58-61</sup> The 5' NTR forms four highly structured domains (domains I-IV), which may be conserved among HCV and related flaviviruses and pestiviruses,<sup>59,60</sup> and it is functionally characterized as an IRES to direct cap-independent translation of the genome.<sup>62,63</sup> To determine the minimal sequence required for HCV IRES-dependent translation, as in the earlier studies of picornaviruses, the bicistronic RNAs in which two reporter protein-coding sequences are separated by an IRES sequence were analyzed. Translation of the upstream reading frame occurs in a 5' end-dependent fashion, while translation of the downstream reading frame is driven by the IRES element. The IRES comprises nearly the entire 5' UTR of the genome. There is evidence to suggest that the first 12 to 30 nt of the coding sequence are also important for IRES activity.<sup>64-66</sup> The first 40 nt of the 5' NTR, which includes a single stem-loop (domain I), is not essential for the translation; the 5' border of the IRES was mapped between nt 38 and 46.<sup>61,67,68</sup> Domains II and III are relatively more complex

and contain multiple stems and loops.<sup>60,69</sup> Domain IV consists of a small stem-loop containing the polyprotein start codon at nt 342 and forms a pseudoknot via base-pairing with a loop in domain III.

Recruitment of the 43S ribosomal complex, containing a small 40S ribosomal subunit, eukaryotic initiation factor (eIF) 3, and a tRNA-eIF2-GTP ternary complex, to mRNA molecules is critical for initiation of eukaryotic protein synthesis. The 40S subunit and eIF3 can bind independently to the HCV IRES.<sup>64,70-72</sup> However, it appears that interaction between IRES RNA and the 40S subunit drives formation of an IRES-40S subunit-eIF3 complex, since HCV IRES RNA demonstrates similar affinity to both the 40S subunit and the 40S-eIF complex.<sup>71</sup> Other cellular factors such as La autoantigen,<sup>73-75</sup> heterogeneous ribonucleoprotein L,<sup>76</sup> poly-C binding protein,<sup>77,78</sup> and pyrimidine tract-binding protein,<sup>79,80</sup> also bind to the IRES element and modulate translation.

Regulation of IRES-dependent translation of HCV is also likely to involve viral factors. We found that the core protein specifically inhibits HCV translation, possibly by binding to a stem-loop III domain, particularly a GGG triplet within the hairpin loop structure of the domain, within the IRES (Fig. 3).<sup>79-81</sup> Although a conflicting report has suggested that inhibition of HCV translation is due to an RNA-RNA interaction, rather than to an interaction between RNA and the core protein,<sup>82</sup> later studies support the role of a core protein sequence spanning amino acids (aa) 34-44 in inhibition of viral translation through its interaction with the IRES.<sup>83</sup> Furthermore, the N-terminal 20 residues of the core protein have been shown to selectively inhibit translation mediated by HCV IRES in a cell type-specific manner.<sup>84</sup> We propose a model in which competitive binding of the core protein to the IRES and 40S ribosomal subunit regulates HCV translation.

By analogy with other RNA viruses with IRES-mediated expression, the HCV 5' NTR has been expected to contain not only determinants for translation but also *cis*-acting elements for RNA replication. Recent studies demonstrated that (1) the sequence upstream of the IRES is essential for viral RNA replication, (2) sequences within the IRES are required for high-level HCV replication, and (3) the stem-loop domain II of the IRES is crucial for the replication.<sup>85</sup>

### Polyprotein processing

IRES-mediated translation of the HCV ORF yields a polyprotein precursor that is subsequently processed by cellular and viral proteases into mature structural and nonstructural proteins (Fig. 1). As deduced from the hydrophobicity profile and the dependence on micro-

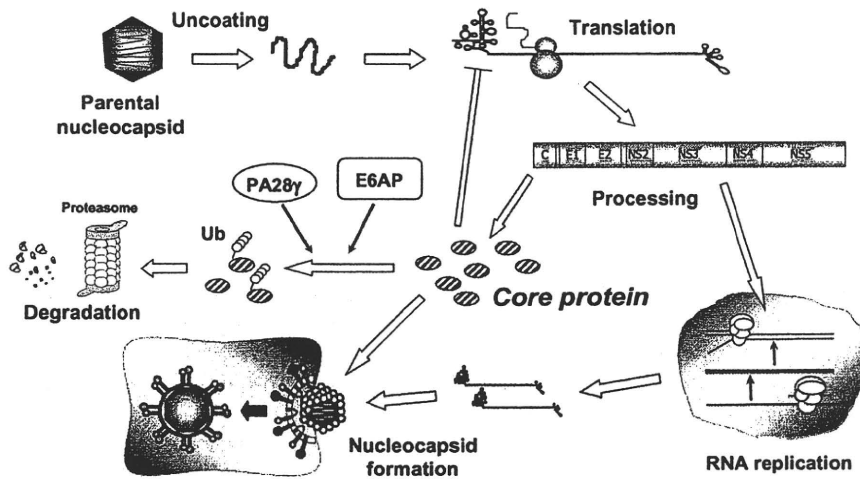


Fig. 3. The role and fate of HCV core protein in the postulated HCV life cycle. See text for further explanation and details

somal membranes, junctions at core/E1, E1/E2, E2/p7, and p7/NS2 are processed by host signal peptidases. For instance, secondary structure analysis of the core protein reveals that all major alpha helices are located in the C-terminal half of the protein. A predicted alpha helix encoded by aa 174–191 is extremely hydrophobic and resembles typical signal peptide sequences. Further posttranslational cleavage close to the C terminus of the core protein takes place, removing the E1 signal sequence by the signal peptide peptidase.<sup>86–89</sup> This peptidase has recently been identified<sup>90</sup> and exhibits protease activity within cellular membranes, resulting in cleavage of peptide bonds in the plane of lipid bilayers.

The viral nonstructural proteins are processed by two viral proteases: processing between NS2 and NS3 is a rapid intramolecular reaction that is accomplished by the NS2–3 protease, which spans NS2 and the N-terminal domain of NS3, whereas the remaining four junctions are cleaved by the serine protease located at the N-terminal 180 residues of NS3 protein. Efficient cleavage at the NS2/3 site requires the 130 C-terminal residues and the first 180 aa of NS3. Recombinant proteins lacking the N-terminal membrane domain of NS2 were found to be enzymatically active, allowing further characterization of this activity.<sup>91,92</sup> Deletion of NS2 from the nonstructural polyprotein did not abolish the replication of HCV RNA in cell cultures, indicating that NS2 is not essential for viral RNA replication.<sup>16,29</sup>

The NS3–NS5B region is processed presumably with the following preferred order of cleavage: NS3/4A → NS5A/5B → NS4A/4B → NS4B/5A.<sup>93–96</sup> Processing at the NS3/4A site is an intramolecular reaction, whereas cleavage at the other sites can be mediated intermolecularly. NS3 is a multifunctional molecule. Besides its N-terminal protease activity, the helicase and nucleotide triphosphatase (NTPase) activities reside in the C-terminal 500 residues of the NS3 protein.<sup>97–101</sup> NS4A

functions as a cofactor of the NS3 serine protease and is required for efficient polyprotein processing. There are significant differences in the stability and activity of the NS3 protease in the presence or absence of NS4A. NS3 protein is relatively unstable when expressed in cells in the absence of NS4A.<sup>102</sup> Structural studies by nuclear magnetic resonance and X-ray methods show that the NS3–4A complex has a more highly ordered N-terminal domain and NS4A binding leads the NS3 protease to a rearrangement of the active site triad to a canonical conformation.<sup>103</sup> It has been predicted that the N-terminus of NS4A forms a transmembrane helix, which presumably anchors the NS3–4A complex to the cellular membrane.<sup>104</sup>

### RNA replication

HCV is assumed to replicate its genome through the synthesis of a full-length negative-strand RNA. Positive-strand RNA is then produced from the negative-strand template; it is several-fold more abundant than the negative-stranded RNA and is utilized for translation, replication, and packaging into progeny viruses. RNA replication of most RNA viruses involves certain intracellular membrane structures, including the endoplasmic reticulum (ER),<sup>105–107</sup> Golgi,<sup>108</sup> endosomes, and lysosomes.<sup>109</sup> HCV RNA replication is also believed to occur in the cytoplasm of the virus-infected cells.

Although NS5B protein has RNA-dependent RNA polymerase (RdRp) activity *in vitro*, its recombinant product alone is presumably short of strict template specificity and fidelity, which are essential for viral RNA synthesis. It is highly likely that other viral or host factors are important for conferring proper RNA replication and that the replication complexes (RCs), which are composed of NS5B and additional components re-



quired for modulating polymerase activity, are involved in catalyzing HCV RNA synthesis during the replication process. NS3 is directly involved in RNA synthesis, possibly through its helicase/NTPase activities. The helicase activity is presumed to be involved in unwinding a putative double-stranded replication intermediate or to remove regions of secondary structure so that MS5B RdRp can copy both strands of the viral RNA. It is likely that the NTPase activity is coupled with the helicase function, supplying the energy required for disrupting RNA duplexes. Although little is known about the function of NS4B in the HCV life cycle to date, NS4B protein can induce a membranous web, consisting of small vesicles embedded in a membranous matrix,<sup>110</sup> and it has been reported that the newly synthesized HCV RNA and most of the viral nonstructural proteins occur in these membrane webs or speckle-like structures.<sup>111-113</sup> NS4B may play an important role in the formation of the HCV RNA replication complex.<sup>114</sup> Evidence indicating an involvement of NS5A in viral RNA replication is now accumulating. As described above, a hot spot of the cell culture-adaptive mutations that increase replication efficiency of HCV RNA is located in the central region of NS5A.<sup>29-31</sup> The membrane association of NS5A through its amino-terminal transmembrane domain<sup>115</sup> and the interaction between NS5A and 5B<sup>116</sup> are essential for RNA replication. Several cellular proteins interacting with NS5A have been identified, and human vesicle-associated membrane protein-associated proteins (hVAP-A and -B) are likely to play a key role in RNA replication through the interaction with NS5A.<sup>114,117</sup> The 3' NTR also contains a significant predicted RNA structure with three distinct domains: a variable region of about 40 nt, a variable length poly(U/UC) tract, and a highly conserved, 98-nt 3' terminal segment (3'X) that putatively forms three stem-loop structures.<sup>118-120</sup> Viral RNA replication was not detected when any of the three putative stem-loop structures within the 3'X region or the entire poly(U/UC) was deleted.<sup>121</sup> The variable region segment also contributes to efficient RNA replication.<sup>122</sup>

Several groups have succeeded in demonstrating the *in vitro* replication activities of HCV RCs in crude membrane fractions of cells harboring the subgenomic replicons.<sup>123-126</sup> These cell-free systems provide a valuable complement to the *in vitro* RdRp assays for biochemical dissection of HCV RNA replication and are a useful source for isolation of viral RCs. From the *in vitro* replication studies, it appears that RNA synthesis can be initiated in the absence of added negative-strand template RNA, suggesting that preinitiated template RNA copurifies with the RC.<sup>124,125,127</sup> Although the newly synthesized single-strand RNA can be used as a template for a further round of double-strand RNA synthesis, no exogenous RNA serves as a template for

HCV RC preparation.<sup>125</sup> Added RNA templates might not access the active site of the HCV RCs owing to sequestration by membranes. The HCV RCs contain both positive- and negative-strand RNAs.<sup>124,127</sup> It has also been reported that cell-free replication activity increases at temperatures ranging from 25° to 40°C, and divalent cations (Mn<sup>2+</sup> and Mg<sup>2+</sup>) can be used in the reaction.<sup>125,127</sup>

Membrane flotation analysis and a replication assay have shown that viral RNA and proteins are present in detergent-resistant membrane structures, most likely a lipid-raft structure, and RNA replication activity was detected even after treatment with detergent.<sup>123,128</sup> Lipid rafts are cholesterol- and sphingolipid-rich microdomains characterized by detergent insolubility.<sup>129-131</sup> These structures are known to play a critical role in a number of biological processes, such as as regulators and organizing centers of signal transduction and membrane traffic pathways, including virus entry and assembly of, for example, influenza virus,<sup>132-134</sup> human immunodeficiency virus type-1,<sup>27,135,136</sup> Ebola virus, Marburg virus,<sup>137</sup> enterovirus,<sup>138</sup> avian sarcoma and leukemia virus,<sup>139</sup> Coxsackie B virus, adenovirus,<sup>140</sup> measles virus,<sup>16</sup> and respiratory syncytial virus.<sup>141</sup> However, HCV may be the first example of the association of a lipid raft with viral RNA replication.

On the other hand, it has been widely believed that most of the HCV life cycle, including protein processing and genome replication, takes place in the ER, where cholesterol-sphingolipid rafts are not assembled.<sup>110,142-144</sup> Several studies using the replicon system have indicated that the nonstructural proteins are associated with the ER.<sup>143,145</sup> Nevertheless, it is still possible that HCV nonstructural proteins synthesized at the ER relocate to lipid-raft membranes when they are actively engaged in RNA replication. It has been shown by membrane separation analysis that HCV nonstructural proteins are present both in the ER and the Golgi, but the activity of viral RNA replication was detected mainly in the Golgi fraction.<sup>123,146</sup> Further studies to elucidate where and how the HCV genome replicates in infected cells are needed.

### Viral assembly

The assembly of HCV and the virion structure remains largely unknown. By analogy with related viruses, the mature HCV virion presumably possesses a nucleocapsid and outer envelope composed of a lipid membrane and envelope proteins. HCV virions are thought to have a diameter of 40–70 nm.<sup>147,148</sup> These observations were recently confirmed by immunoelectron microscopy of infectious HCV particles produced in cell cultures.<sup>45,52</sup> It has been reported that HCV circulates in various forms

in the sera of infected hosts, for example, as (1) free mature virions, (2) virions bound to low-density lipoproteins and very low density lipoproteins, (3) virions bound to immunoglobulins, and (4) nonenveloped nucleocapsids, which exhibit physicochemical and antigenic properties.<sup>147-150</sup>

The HCV structural proteins (core, E1, and E2) are located in the N-terminal one-third of the precursor polyprotein (Fig. 1). A crucial function of the core protein, which is derived from the N-terminus of the viral polyprotein, is assembly of the viral nucleocapsid. The aa sequence of this protein is well conserved among different HCV strains, compared with other HCV proteins. The N-terminal domain of the core protein is highly basic, while its C-terminus is hydrophobic. When expressed in mammalian cells and transgenic mice, the core protein is found on membranes of the ER, on the surface of lipid droplets, on the mitochondrial outer membrane, and, to some extent, in the nucleus.<sup>151-156</sup> The core protein is likely multifunctional and is not only involved in formation of the HCV virion but also has a number of regulatory functions, including modulation of lipid metabolism and hepatocarcinogenesis.<sup>153,157-159</sup> The envelope proteins E1 and E2 are extensively glycosylated and have an apparent molecular weight of 30-35 and 70-75 kDa, respectively. Predictive algorithms and genetic analyses of deletion mutants and glycosylation-site variants of the E1 protein suggest that E1 can adopt two topologies in the ER membrane: the conventional type I membrane topology and a polytopic topology in which the protein spans the ER membrane twice with an intervening cytoplasmic loop.<sup>160</sup> E1 and E2 proteins form a noncovalent complex, which is believed to be the building block of the viral envelope.

Several expression systems have been used to investigate HCV capsid assembly using mammalian, insect, yeast, bacteria, and reticulocyte lysates, as well as purified recombinant proteins.<sup>148,161-170</sup> The results suggest that immunogenic nucleocapsid-like particles are heterologous in size and range from 30 to 80 nm in diameter. The N-terminal half of the core protein is important for nucleocapsid formation.<sup>163,169,170</sup> HCV capsid formation occurs in the presence or absence of ER-derived membrane, which supports cleavage of the signal peptide at the C-terminus.<sup>170</sup>

Nucleocapsid assembly generally involves oligomerization of the capsid protein and encapsidation of genomic RNA. In fact, study of a recombinant mature core protein has shown it to exist as a large multimer in solution under physiological conditions, within which stable secondary structures have been observed.<sup>171</sup> Studies using yeast two-hybrid systems have identified a potential homotypic interaction domain within the N-terminal region of the core protein (aa 1-115 or -122), with particular emphasis on the region encom-

passing aa 82-102.<sup>172,173</sup> However, other studies have identified two C-terminal regions, extending from aa 123 to 191 and from 125 to 179, as responsible for self-interaction. Furthermore, Pro substitution within these C-terminal regions has been observed to abolish core protein self-interaction.<sup>171,174</sup> Circular dichroism spectroscopy has further shown that a Trp-rich region spanning aa 76-113 is largely solvent-exposed and unlikely to play a role in multimerization.<sup>171</sup> Recently, our group demonstrated that self-oligomerization of the core protein is promoted by aa 72-91 in the core.<sup>160</sup>

Once a HCV nucleocapsid is formed in the cytoplasm, it acquires an envelope as it buds through intracellular membranes. Interactions between the core and E1/E2 proteins are considered to determine viral morphology. Expression of HCV structural proteins using recombinant virus vectors has led to successful generation of virus-like particles with similar ultrastructural properties to HCV virions. Packaging of these HCV-like particles into intracellular vesicles as a result of budding from the ER has been noted.<sup>161,175,176</sup> Mapping studies to determine the nature of interaction between core and E1 proteins have demonstrated the importance of C-terminal regions in this interaction.<sup>177,178</sup> Since corresponding sequences are not well conserved among various HCV isolates, interactions between core and E1 proteins might depend more on hydrophobicity than on specific sequences. By contrast, it has been shown that interaction between the self-oligomerized HCV core and the E1 glycoprotein is mediated through the cytoplasmic loop present in a polytopic form of the E1 protein.<sup>160</sup>

#### Implication of the ubiquitin-proteasome pathway in core protein maturation

The ubiquitin-proteasome pathway is the major route by which selective protein degradation occurs in eukaryotic cells and is now emerging as an essential mechanism of cellular regulation.<sup>179,180</sup> This pathway is also involved in the posttranslational regulation of the core protein.<sup>158,181-183</sup> We have reported that processing at the carboxyl-terminal hydrophobic domain of the core protein leads to its efficient polyubiquitylation and proteasomal degradation.<sup>181</sup> Recently, our group identified the ubiquitin ligase E6AP as an HCV core-binding protein and showed that E6AP enhances ubiquitylation and degradation of the mature as well as the carboxyl-terminally truncated core proteins, and that the core protein produced from infectious HCV is degraded via an E6AP-dependent pathway (Fig. 3).<sup>183</sup> E6AP, the prototype of HECT domain ubiquitin ligases,<sup>184</sup> was initially identified as the cellular factor that stimulates ubiquitin-dependent degradation of the tumor suppres-

sor p53 in conjunction with E6 protein of cancer-associated human papillomavirus types 16 and 18.<sup>185,186</sup> Exogenous expression of E6AP reduces intracellular core protein levels and supernatant viral infectivity in infected cell cultures. Knockdown of exogenous E6AP by siRNA increases intracellular core protein levels and virus titers in the culture supernatants. The core protein interacts with E6AP through the aa 58–71 region of the core, which is highly conserved among all HCV genotypes, suggesting that E6AP-dependent degradation of the core protein is common to a variety of HCV isolates and plays a critical role in the HCV life cycle or viral pathogenesis.

A role for the proteasome activator PA28 $\gamma$  core-binding protein in degradation of the core protein has also been demonstrated (Fig. 3).<sup>158,182</sup> Overexpression of PA28 $\gamma$  promotes proteolysis of the core protein. PA28 $\gamma$  predominates in the nucleus and forms a homopolymer, which associates with the 20S proteasome,<sup>187</sup> thereby enhancing proteasomal activity.<sup>188</sup> Both nuclear retention and core protein stability are regulated via a PA28 $\gamma$ -dependent pathway.

In eukaryotic cells, targeted protein degradation is increasingly understood to be an important mechanism by which cells regulate levels of specific proteins, and thereby regulate their function. The core protein is believed to play a key role in viral replication and pathogenesis since it forms the viral particle and regulates a number of host cell functions. Although the biological significance of ubiquitylation and proteasomal degradation of the core protein is not fully understood, E6AP possibly affects the production of HCV particles through controlling the amount of core protein (Fig. 3). This mechanism may contribute to virus persistence by maintaining a (moderately) low level of the viral nucleocapsid. The E6AP binding domain within the core protein resides in the region that is considered to be important for binding to the viral RNA and several host factors.<sup>189</sup> These factors may affect the interaction between the core and E6AP, resulting in control of E6AP-dependent core degradation. A recent study demonstrated that a knockdown of the PA28 $\gamma$  gene induces the accumulation of the core protein in the nucleus of hepatocytes of HCV core gene-transgenic mice and disrupts development of both hepatic steatosis and hepatocellular carcinoma.<sup>158</sup> Upregulation of several genes related to fatty acid biosynthesis and lipid homeostasis by the core protein was observed in the cells and the mouse liver in the PA28 $\gamma$ -dependent manner. Thus, it is likely that PA28 $\gamma$  plays an important role in the development of liver pathology induced by HCV infection.

*Acknowledgments.* The authors are grateful to all their co-workers who contributed to the studies cited here, most especially Tatsuo Miyamura. We also thank T. Mizoguchi for

secretarial work. This work was supported in part by a grant for Research on Health Sciences focusing on Drug Innovation from the Japan Health Sciences Foundation; and by Grants-in-Aid from the Ministry of Health, Labour and Welfare, Japan.

## References

1. Kuo G, Choo QL, Alter HJ, Gitnick GL, Redeker AG, Purcell RH, et al. An assay for circulating antibodies to a major etiologic virus of human non-A, non-B hepatitis. *Science* 1989;244:362–4.
2. Grakoui A, Hanson HL, Rice CM. Bad time for Bonzo? Experimental models of hepatitis C virus infection, replication, and pathogenesis. *Hepatology* 2001;33:489–95.
3. Lauer GM, Walker BD. Hepatitis C virus infection. *N Engl J Med* 2001;345:41–52.
4. Saito I, Miyamura T, Ohbayashi A, Harada H, Katayama T, Kikuchi S, et al. Hepatitis C virus infection is associated with the development of hepatocellular carcinoma. *Proc Natl Acad Sci USA* 1990;87:6547–9.
5. Alter MJ. Epidemiology of hepatitis C in the West. *Semin Liver Dis* 1995;15:5–14.
6. Di Bisceglie AM. Hepatitis C and hepatocellular carcinoma. *Hepatology* 1997;26:34S–8S.
7. Poynard T, Yuen MF, Ratzu V, Lai CL. Viral hepatitis C. *Lancet* 2003;362:2095–100.
8. Pawlotsky JM. Pathophysiology of hepatitis C virus infection and related liver disease. *Trends Microbiol* 2004;12:96–102.
9. Houghton M, Weiner A, Han J, Kuo G, Choo Q-L. Molecular biology of the hepatitis C viruses: implications for diagnosis, development and control of viral disease. *Hepatology* 1991;14:381–8.
10. Robertson B, Myers G, Howard C, Brettin T, Bukh J, Gaschen B, et al. Classification, nomenclature, and database development for hepatitis C virus (HCV) and related viruses: proposals for standardization. International Committee on Virus Taxonomy. *Arch Virol* 1998;143:2493–503.
11. Choo QL, Kuo G, Weiner AJ, Overby LR, Bradley DW, Houghton M. Isolation of a cDNA clone derived from a blood-borne non-A, non-B viral hepatitis genome. *Science* 1989;244:359–62.
12. Martell M, Esteban JI, Quer J, Genesca J, Weiner A, Esteban R, et al. Hepatitis C virus (HCV) circulates as a population of different but closely related genomes: quasispecies nature of HCV genome distribution. *J Virol* 1992;66:3225–9.
13. Pawlotsky JM. Hepatitis C virus population dynamics during infection. *Curr Top Microbiol Immunol* 2006;299:261–84.
14. Zeuzem S, Feinman SV, Rasenack J, Heathcote EJ, Lai MY, Gane E, et al. Peginterferon alpha-2a in patients with chronic hepatitis C. *N Engl J Med* 2000;343:1666–72.
15. Heathcote EJ, Shiffman ML, Cooksley WG, Dusheiko GM, Lee SS, Balart L, et al. Peginterferon alpha-2a in patients with chronic hepatitis C and cirrhosis. *N Engl J Med* 2000;343:1673–80.
16. Lohmann V, Korner F, Koch J, Herian U, Theilmann L, Bartenschlager R. Replication of subgenomic hepatitis C virus RNAs in a hepatoma cell line. *Science* 1999;285:110–3.
17. Andino R, Rieckhof GE, Achacoso PL, Baltimore D. Poliovirus RNA synthesis utilizes an RNP complex formed around the 5'-end of viral RNA. *EMBO J* 1993;12:3587–98.
18. Collis PS, O'Donnell BJ, Barton DJ, Rogers JA, Flanagan JB. Replication of poliovirus RNA and subgenomic RNA transcripts in transfected cells. *J Virol* 1992;66:6480–8.
19. Hagino-Yamagishi K, Nomoto A. In vitro construction of poliovirus defective interfering particles. *J Virol* 1989;63:5386–92.

20. Kaplan G, Racaniello VR. Construction and characterization of poliovirus subgenomic replicons. *J Virol* 1988;62:1687–96.
21. Liljestrom P, Garoff H. A new generation of animal cell expression vectors based on the Semliki Forest virus replicon. *Biotechnology (NY)* 1991;9:1356–61.
22. Bredenbeek PJ, Frolov I, Rice CM, Schlesinger S. Sindbis virus expression vectors: packaging of RNA replicons by using defective helper RNAs. *J Virol* 1993;67:6439–46.
23. Johanning FW, Conry RM, LoBuglio AF, Wright M, Sumerel LA, Pike MJ, et al. A Sindbis virus mRNA polynucleotide vector achieves prolonged and high level heterologous gene expression in vivo. *Nucleic Acids Res* 1995;23:1495–501.
24. Kamrud KI, Powers AM, Higgs S, Olson KE, Blair CD, Carlson JO, et al. The expression of chloramphenicol acetyltransferase in mosquitoes and mosquito cells using a packaged Sindbis replicon system. *Exp Parasitol* 1995;81:394–403.
25. Xiong C, Levis R, Shen P, Schlesinger S, Rice CM, Huang HV. Sindbis virus: an efficient, broad host range vector for gene expression in animal cells. *Science* 1989;243:1188–91.
26. Khromykh AA, Westaway EG. Subgenomic replicons of the flavivirus Kunjin: construction and applications. *J Virol* 1997;71:1497–505.
27. McKnight KL, Lemon SM. Capsid coding sequence is required for efficient replication of human rhinovirus 14 RNA. *J Virol* 1996;70:1941–52.
28. Behrens SE, Grassmann CW, Thiel HJ, Meyers G, Tautz N. Characterization of an autonomous subgenomic pestivirus RNA replicon. *J Virol* 1998;72:2364–72.
29. Blight KJ, Kolykhalov AA, Rice CM. Efficient initiation of HCV RNA replication in cell culture. *Science* 2000;290:1972–4.
30. Krieger N, Lohmann V, Bartenschlager R. Enhancement of hepatitis C virus RNA replication by cell culture-adaptive mutations. *J Virol* 2001;75:4614–24.
31. Lohmann V, Korner F, Dobierzewska A, Bartenschlager R. Mutations in hepatitis C virus RNAs conferring cell culture adaptation. *J Virol* 2001;75:1437–49.
32. Evans MJ, Rice CM, Goff SP. Phosphorylation of hepatitis C virus nonstructural protein 5A modulates its protein interactions and viral RNA replication. *Proc Natl Acad Sci USA* 2004;101:13038–43.
33. Appel N, Pietschmann T, Bartenschlager R. Mutational analysis of hepatitis C virus nonstructural protein 5A: potential role of differential phosphorylation in RNA replication and identification of a genetically flexible domain. *J Virol* 2005;79:3187–94.
34. Lohmann V, Hoffmann S, Herian U, Penin F, Bartenschlager R. Viral and cellular determinants of hepatitis C virus RNA replication in cell culture. *J Virol* 2003;77:3007–19.
35. Yi M, Lemon SM. Adaptive mutations producing efficient replication of genotype 1a hepatitis C virus RNA in normal Huh7 cells. *J Virol* 2004;78:7904–15.
36. Bartenschlager R. Hepatitis C virus molecular clones: from cDNA to infectious virus particles in cell culture. *Curr Opin Microbiol* 2006;9:416–22.
37. Brass V, Moradpour D, Blum HE. Molecular virology of hepatitis C virus (HCV): 2006 update. *Int J Med Sci* 2006;3:29–34.
38. Bartenschlager R. The hepatitis C virus replicon system: from basic research to clinical application. *J Hepatol* 2005;43:210–6.
39. Blight KJ, McKeating JA, Rice CM. Highly permissive cell lines for subgenomic and genomic hepatitis C virus RNA replication. *J Virol* 2002;76:13001–14.
40. Friebe P, Boudet J, Simorre JP, Bartenschlager R. Kissing-loop interaction in the 3' end of the hepatitis C virus genome essential for RNA replication. *J Virol* 2005;79:380–92.
41. Kato T, Furusaka A, Miyamoto M, Date T, Yasui K, Hiramoto J, et al. Sequence analysis of hepatitis C virus isolated from a fulminant hepatitis patient. *J Med Virol* 2001;64:334–9.
42. Kato T, Date T, Miyamoto M, Furusaka A, Tokushige K, Mizokami M, et al. Efficient replication of the genotype 2a hepatitis C virus subgenomic replicon. *Gastroenterology* 2003;125:1808–17.
43. Date T, Kato T, Miyamoto M, Zhao Z, Yasui K, Mizokami M, et al. Genotype 2a hepatitis C virus subgenomic replicon can replicate in HepG2 and IMY-N9 cells. *J Biol Chem* 2004;279:22371–6.
44. Kato T, Date T, Miyamoto M, Zhao Z, Mizokami M, Wakita T. Nonhepatic cell lines HeLa and 293 support efficient replication of the hepatitis C virus genotype 2a subgenomic replicon. *J Virol* 2005;79:592–6.
45. Wakita T, Pietschmann T, Kato T, Date T, Miyamoto M, Zhao Z, et al. Production of infectious hepatitis C virus in tissue culture from a cloned viral genome. *Nat Med* 2005;11:791–6.
46. Zhong J, Gastaminza P, Cheng G, Kapadia S, Kato T, Burton DR, et al. Robust hepatitis C virus infection in vitro. *Proc Natl Acad Sci USA* 2005;102:9294–9.
47. Lindenbach BD, Evans MJ, Syder AJ, Wolk B, Tellinghuisen TL, Liu CC, et al. Complete replication of hepatitis C virus in cell culture. *Science* 2005;309:623–6.
48. Compans RW. Virus entry and release in polarized epithelial cells. *Curr Top Microbiol Immunol* 1995;202:209–19.
49. Garoff H, Hewson R, Opstelten DJ. Virus maturation by budding. *Microbiol Mol Biol Rev* 1998;62:1171–90.
50. Schmitt AP, Lamb RA. Escaping from the cell: assembly and budding of negative-strand RNA viruses. *Curr Top Microbiol Immunol* 2004;283:145–96.
51. Takimoto T, Portner A. Molecular mechanism of paramyxovirus budding. *Virus Res* 2004;106:133–45.
52. Murakami K, Ishii K, Ishihara Y, Yoshizaki S, Tanaka K, Gotoh Y, et al. Production of infectious hepatitis C virus particles in three-dimensional cultures of the cell line carrying the genome-length dicistronic viral RNA of genotype 1b. *Virology* 2006;351:381–92.
53. Kawada M, Nagamori S, Aizaki H, Fukaya K, Niiya M, Matsuura T, et al. Massive culture of human liver cancer cells in a newly developed radial flow bioreactor system: ultrafine structure of functionally enhanced hepatocarcinoma cell lines. *In Vitro Cell Dev Biol Anim* 1998;34:109–15.
54. Matsuura T, Kawada M, Hasumura S, Nagamori S, Obata T, Yamaguchi M, et al. High density culture of immortalized liver endothelial cells in the radial-flow bioreactor in the development of an artificial liver. *Int J Artif Organs* 1998;21:229–34.
55. Aizaki H, Nagamori S, Matsuda M, Kawakami H, Hashimoto O, Ishiko H, et al. Production and release of infectious hepatitis C virus from human liver cell cultures in the three-dimensional radial-flow bioreactor. *Virology* 2003;314:16–25.
56. Iwahori T, Matsuura T, Maehashi H, Sugo K, Saito M, Hosokawa M, et al. CYP3A4 inducible model for in vitro analysis of human drug metabolism using a bioartificial liver. *Hepatology* 2003;37:665–73.
57. Yoshioka H, Mikami M, Mori Y, Tsuchida E. A synthetic hydrogel with thermoreversible gelation. *J Macromol Sci* 1994; A31:113–20.
58. Bukh J, Purcell RH, Miller RH. Sequence analysis of the 5' noncoding region of hepatitis C virus. *Proc Natl Acad Sci USA* 1992;89:4942–6.
59. Brown EA, Zhang H, Ping LH, Lemon SM. Secondary structure of the 5' nontranslated regions of hepatitis C virus and pestivirus genomic RNAs. *Nucleic Acids Res* 1992;20:5041–5.
60. Honda M, Beard MR, Ping LH, Lemon SM. A phylogenetically conserved stem-loop structure at the 5' border of the internal ribosome entry site of hepatitis C virus is required for cap-independent viral translation. *J Virol* 1999;73:1165–74.
61. Honda M, Brown EA, Lemon SM. Stability of a stem-loop involving the initiator AUG controls the efficiency of internal initiation of translation on hepatitis C virus RNA. *RNA* 1996;2:955–68.

62. Tsukiyama-Kohara K, Iizuka N, Kohara M, Nomoto A. Internal ribosome entry site within hepatitis C virus RNA. *J Virol* 1992; 66:1476-83.
63. Wang C, Sarnow P, Siddiqui A. Translation of human hepatitis C virus RNA in cultured cells is mediated by an internal ribosome-binding mechanism. *J Virol* 1993;67:3338-44.
64. Hellen CU, Pestova TV. Translation of hepatitis C virus RNA. *J Viral Hepat* 1999;6:79-87.
65. Lu HH, Wimmer E. Poliovirus chimeras replicating under the translational control of genetic elements of hepatitis C virus reveal unusual properties of the internal ribosomal entry site of hepatitis C virus. *Proc Natl Acad Sci USA* 1996;93:1412-7.
66. Reynolds JE, Kaminski A, Kettinen HJ, Grace K, Clarke BE, Carroll AR, et al. Unique features of internal initiation of hepatitis C virus RNA translation. *EMBO J* 1995;14:6010-20.
67. Rijnbrand R, Bredenbeek P, van der Straaten T, Whetter L, Inchauspe G, Lemon S, et al. Almost the entire 5' non-translated region of hepatitis C virus is required for cap-independent translation. *FEBS Lett* 1995;365:115-9.
68. Yoo BJ, Spaete RR, Geballe AP, Selby M, Houghton M, Han JH. 5' end-dependent translation initiation of hepatitis C viral RNA and the presence of putative positive and negative translational control elements within the 5' untranslated region. *Virology* 1992;191:889-99.
69. Lemon S, Honda M. Internal ribosome entry sites within the RNA genomes of hepatitis C virus and other flaviviruses. *Semin Virol* 1997;8:274-88.
70. Buratti E, Tisminetzky S, Zotti M, Baralle FE. Functional analysis of the interaction between HCV 5'UTR and putative subunits of eukaryotic translation initiation factor eIF3. *Nucleic Acids Res* 1998;26:3179-87.
71. Kieft JS, Zhou K, Jubin R, Doudna JA. Mechanism of ribosome recruitment by hepatitis C IRES RNA. *RNA* 2001;7:194-206.
72. Sizova DV, Kolupaeva VG, Pestova TV, Shatsky IN, Hellen CU. Specific interaction of eukaryotic translation initiation factor 3 with the 5' nontranslated regions of hepatitis C virus and classical swine fever virus RNAs. *J Virol* 1998;72:4775-82.
73. Ali N, Pruijn GJ, Kenan DJ, Keene JD, Siddiqui A. Human La antigen is required for the hepatitis C virus internal ribosome entry site-mediated translation. *J Biol Chem* 2000;275:27531-40.
74. Ali N, Siddiqui A. The La antigen binds 5' noncoding region of the hepatitis C virus RNA in the context of the initiator AUG codon and stimulates internal ribosome entry site-mediated translation. *Proc Natl Acad Sci USA* 1997;94:2249-54.
75. Isoyama T, Kamoshita N, Yasui K, Iwai A, Shiroki K, Toyoda H, et al. Lower concentration of La protein required for internal ribosome entry on hepatitis C virus RNA than on poliovirus RNA. *J Gen Virol* 1999;80:2319-27.
76. Hahn B, Kim YK, Kim JH, Kim TY, Jang SK. Heterogeneous nuclear ribonucleoprotein L interacts with the 3' border of the internal ribosomal entry site of hepatitis C virus. *J Virol* 1998; 72:8782-8.
77. Fukushi S, Okada M, Kageyama T, Hoshino FB, Nagai K, Katayama K. Interaction of poly(rC)-binding protein 2 with the 5'-terminal stem loop of the hepatitis C-virus genome. *Virus Res* 2001;73:67-79.
78. Anwar A, Ali N, Tanveer R, Siddiqui A. Demonstration of functional requirement of polypyrimidine tract-binding protein by SELEX RNA during hepatitis C virus internal ribosome entry site-mediated translation initiation. *J Biol Chem* 2000;275: 34231-5.
79. Shimoike T, Mimori S, Tani H, Matsuura Y, Miyamura T. Interaction of hepatitis C virus core protein with viral sense RNA and suppression of its translation. *J Virol* 1999;73:9718-25.
80. Tanaka Y, Shimoike T, Ishii K, Suzuki R, Suzuki T, Ushijima H, et al. Selective binding of hepatitis C virus core protein to synthetic oligonucleotides corresponding to the 5' untranslated region of the viral genome. *Virology* 2000;270:229-36.
81. Shimoike T, Koyama C, Murakami K, Suzuki R, Matsuura Y, Miyamura T, et al. Down-regulation of the internal ribosome entry site (IRES)-mediated translation of the hepatitis C virus: critical role of binding of the stem-loop IIIid domain of IRES and the viral core protein. *Virology* 2006;345:434-45.
82. Wang TH, Rijnbrand RC, Lemon SM. Core protein-coding sequence, but not core protein, modulates the efficiency of cap-independent translation directed by the internal ribosome entry site of hepatitis C virus. *J Virol* 2000;74:11347-58.
83. Zhang J, Yamada O, Yoshida H, Iwai T, Araki H. Autogenous translational inhibition of core protein: implication for switch from translation to RNA replication in hepatitis C virus. *Virology* 2002;293:141-50.
84. Li D, Takyar ST, Lott WB, Gowans EJ. Amino acids 1-20 of the hepatitis C virus (HCV) core protein specifically inhibit HCV IRES-dependent translation in HepG2 cells, and inhibit both HCV IRES- and cap-dependent translation in HuH7 and CV-1 cells. *J Gen Virol* 2003;84:815-25.
85. Friebe P, Lohmann V, Krieger N, Bartenschlager R. Sequences in the 5' nontranslated region of hepatitis C virus required for RNA replication. *J Virol* 2001;75:12047-57.
86. Hüsey P, Langen H, Mous J, Jacobsen H. Hepatitis C virus core protein: carboxy-terminal boundaries of two processed species suggest cleavage by a signal peptide peptidase. *Virology* 1996;224: 93-104.
87. McLauchlan J, Lemberg MK, Hope G, Martoglio B. Intramembrane proteolysis promotes trafficking of hepatitis C virus core protein to lipid droplets. *EMBO J* 2002;21:3980-8.
88. Lemberg MK, Martoglio B. Requirements for signal peptide peptidase-catalyzed intramembrane proteolysis. *Mol Cell* 2002; 10:735-44.
89. Okamoto K, Moriishi K, Miyamura T, Matsuura Y. Intramembrane proteolysis and endoplasmic reticulum retention of hepatitis C virus core protein. *J Virol* 2004;78:6370-80.
90. Weihofen A, Binns K, Lemberg MK, Ashman K, Martoglio B. Identification of signal peptide peptidase, a presenilin-type aspartic protease. *Science* 2002;296:2215-8.
91. Pallaoro M, Lahm A, Biasiol G, Brunetti M, Nardella C, Orsatti L, et al. Characterization of the hepatitis C virus NS2/3 processing reaction by using a purified precursor protein. *J Virol* 2001;75: 9939-46.
92. Thibeault D, Maurice R, Pilote L, Lamarre D, Pause A. In vitro characterization of a purified NS2/3 protease variant of hepatitis C virus. *J Biol Chem* 2001;276:46678-84.
93. Bartenschlager R, Ahlborn-Laake L, Mous J, Jacobsen H. Kinetic and structural analyses of hepatitis C virus polyprotein processing. *J Virol* 1994;68:5045-55.
94. Failla C, Tomei L, De Francesco R. An amino-terminal domain of the hepatitis C virus NS3 protease is essential for interaction with NS4A. *J Virol* 1995;69:1769-77.
95. Lin C, Pragai BM, Grakoui A, Xu J, Rice CM. Hepatitis C virus NS3 serine proteinase: *trans*-cleavage requirements and processing kinetics. *J Virol* 1994;68:8147-57.
96. Tanji Y, Hijikata M, Hirowatari Y, Shimotohno K. Hepatitis C virus polyprotein processing: kinetics and mutagenic analysis of serine proteinase-dependent cleavage. *J Virol* 1994;68:8418-22.
97. Jin L, Peterson DL. Expression, isolation, and characterization of the hepatitis C virus ATPase/RNA helicase. *Arch Biochem Biophys* 1995;323:47-53.
98. Kim DW, Gwack Y, Han JH, Choe J. C-terminal domain of the hepatitis C virus NS3 protein contains an RNA helicase activity. *Biochem Biophys Res Commun* 1995;215:160-6.
99. Suzich JA, Tamura JK, Palmer-Hill F, Warren P, Grakoui A, Rice CM, et al. Hepatitis C virus NS3 protein polynucleotide-stimulated nucleoside triphosphatase and comparison with the related pestivirus and flavivirus enzymes. *J Virol* 1993;67: 6152-8.