

complex of IFN-stimulated gene factor-3 (ISGF-3), which translocates to the nucleus, binds the IFN-stimulated response element (ISRE) located in the promoter/enhancer region of ISGs, and activates expression of ISGs [4,5,9].

Interferons induce expression of a variety of ISGs, several of which show antiviral function by limiting virus replication at multiple points within the replication cycle [7,10]. At least four ISGs have been reported to direct antiviral activity through distinct cellular pathways of translational control; 2', 5'-oligoadenylate synthetase (OAS), double-stranded RNA-dependent protein kinase R (PKR), myxovirus resistance 1 (MxA), and interferon-induced protein 56 (IFI-56K). Transcriptional induction of 2', 5'-OAS activates ribonuclease L (RNase L) which leads to translational suppression through the cleavage and subsequent inactivation of 28S rRNA [11]. PKR is activated by viral double-stranded RNA, and catalyses the phosphorylation of eukaryotic initiation factor-2 alpha (eIF2-alpha). The phosphorylated eIF2-alpha blocks translation initiation by reducing the cellular pool of functional eIF2 and by disrupting the critical delivery of methionyl-tRNA to the 40S ribosome [12]. MxA protein results in degradation of cellular RNA, general repression of protein synthesis and apoptotic cell death [13]. IFI-56K binds eukaryotic initiation factor-3 (eIF3) and suppresses translation [10,14]. However, cells in which of PKR, MxA, or 25OAS are knocked down still retain IFN responses to suppress HCV replication, suggesting that there may be unidentified ISGs that show antiviral activities [15].

An HCV replicon system is an *in vitro* model that simulates stable and noncytopathic cellular autonomous replication of HCV genomic RNA [16,17]. There has been a lack of adequate HCV replication models, although this problem has been partially overcome by the introduction of the HCV replicon system. Replication of HCV replicon can be abolished by treatment with small amounts of type-I and type-II IFNs [15,18,19], suggesting intact IFN receptor-mediated cellular responses. In the present study, we analysed the expression profiles of ISGs by using the HCV replicon system which expresses chimeric luciferase reporter protein [20,21], and by using overexpression analysis, we identified several ISGs that suppress HCV replication.

MATERIALS AND METHODS

Cells and cell culture

Huh7 and 293T cells were maintained in Dulbecco's modified minimal essential medium (Sigma, St Louis, MO, USA) supplemented with 10% foetal calf serum at 37 °C under 5% CO₂. To maintain cell lines carrying the HCV replicon (Huh7/Rep or Huh7/Rep-Feo cells), G418 (Nakalai Tesque, Kyoto, Japan) was added to the culture medium at a final concentration of 500 µg/mL.

HCV replicon constructs and transfection

Hepatitis C virus replicon plasmid, pRep-Feo was derived from the HCV-N strain, pHClbneo/delS [19]. The pRep-Feo expressed chimeric reporter protein of firefly luciferase (Fluc) and neomycin phosphotransferase [20,21]. The replicon RNA synthesis and transfection have been described (Huh7/Rep-Feo) [17].

Establishment of the cured Huh7 cells

Cured Huh7 cells (cHuh7) were established by eliminating replicon from Huh7/Rep-Feo cells by treatment with 100 U/mL of IFN-alpha for 14 days. Clearance of replicon RNA was confirmed by RT-PCR and by the loss of resistance to G418.

Reverse transcription and Light Cycler-based PCR assay

Total cellular RNA was extracted from Huh7, Huh7/Rep, and cHuh7 cells using Isogen (Wako, Osaka, Japan). Two micrograms of total cellular RNA was used to generate cDNA from each sample using SuperScript II (Invitrogen, Carlsbad, CA, USA) reverse transcriptase. The mRNA expression levels were measured with a Light Cycler PCR and detection system (Roche Applied Science, Indianapolis, IN, USA). Thermocycling was done in a final volume of 10 µL containing 1 µL cDNA sample or calibrator; 1.25 mM MgCl₂; 0.5 µM of each primer and 1 µL of LightCycler FastStart DNA Master SYBR Green 1 mix (Roche). Cycle numbers of the logarithmic linear phase were plotted against the logarithm of the concentration of template DNA. The concentrations of DNA in the samples were calculated by comparing the cycle numbers of the logarithmic linear phase of the samples with the external standards. Genes assayed were IP10, IFI-56K, MxA, GBP-1, IFI-6-16, TAP1, 9-27, IFP35, PLSCR1, LMP7-E1 and PKR (Table 1).

Construction of plasmids expressing ISG and the reporter assay

We constructed plasmids expressing 18 ISGs, which were expressed in the liver during acute HCV infection [6] and induced by IFN-alpha treatment of Huh7 cells (Table 2). The full-length human ISGs were amplified by PCR from Huh7, HeLa, or SuperScript cDNA library human liver (Invitrogen) and cloned into pcDNA3.1 or pcDNA3.1D/V5-His-TOPO (Invitrogen) to yield the mammalian expression construct, pcDNA-ISG. Each ISG-expression plasmid, pcDNA-ISG was transfected into Huh7/Rep-Feo cells, and the replication level of HCV replicon was analysed by luciferase assay. A plasmid, pcDNA3.1D/V5-His/lacZ (Invitrogen) was used as a control plasmid vector for mock transfection.

Table 1 List of interferon-stimulated genes analysed by the RT-PCR

Category/gene	Gene accession number
Cytokines/Chemokines	
IP10	X02530
MK	M94250
IL8	NM000584
Antiviral genes	
MxA	M30817
PKR	M35663
GBP-1	NM002053
IFI-56 K	M24594
25OAS	NM003733
Transcription factors	
IFP35	U72882
IRF-9 (ISGF3gamma)	XM033291
STAT1a	M97935
STAF50	X82200
Interferon inducible genes	
IFI-6-16 (G1P3)	BT006850
ISG15	M13755
IFI-27 (ISG12)	X67325
Apoptosis-related genes	
PLSCR1	AF098642
TRAIL	U37518
XAF1	X99699
Proteasome	
LMP7-E1	Z14982
MECL1	X71874
RING4 (TAP1)	X57522
Antiproliferative genes	
9-27	J04164
Immune modulation	
Mac2BP	L13210
Unknown	
RIG-G (IFIT4)	U52513
NP (IFI41,75)	L22342
HCV microtubul	D28915
IRF family	
IRF-1	NM002198
Cytoskeletal	
Beta-actin	X00351

Plasmids for signal transduction and the reporter assays

We analysed the effects of IFN on signal transduction of ISRE, interferon-gamma activation site (GAS), activator protein 1 (AP1), and nuclear factor-kappa B (NF-kappa B). Plasmids, pISRE-TA-Luc, pGAS-TA-Luc, pAP1-TA-Luc, and pNF-kappaB-Luc (Clontech Laboratories, Franklin Lakes, NJ, USA) contained consensus motifs upstream of the firefly luciferase gene. A plasmid, pTA-Luc (Clontech), which lacks the enhancer element, was used for background determination. The reporter plasmid of IFI-56K promoter was

constructed. IFI-56K natural promoter (IFI-56K promoter -250+93; gene accession number; X06559) was cloned from genomic DNA by PCR. The DNA product was inserted into pGL3 basic (Promega, Madison, WI, USA) as instructed (IFI-56K-Luc). Plasmid, pRL-CMV (Promega), which expresses the renilla luciferase protein, was used for normalization of transfection efficiency [22].

Plasmids for HCV-IRES and reporter assay

To measure the effect of ISG-expression on the HCV-IRES-mediated translational efficiency, reporter assays using HCV-IRES-luciferase construct were performed. A plasmid, pCneo.Rluc-IRES-Fluc, expressed bicistronic RNA from which renilla luciferase was translated in a cap-dependent manner and firefly luciferase was translated in an HCV-IRES-dependent manner. A plasmid, pCneo.Rluc-IRES-Fluc was transfected with the ISG-expression plasmid, pcDNA-ISG into naive Huh7 cells. Huh7 cells were seeded at 8×10^4 per well in 24-well plates on the day before transfection. A total of 200 ng of pCneo.Rluc-IRES-Fluc were cotransfected with 200 ng of pcDNA-ISG or pUC19-shRNA331 into each well by using 1 μ L of lipofectamine 2000 (Invitrogen) according to the manufacturer's protocol. At 48 h after transfection, the cell lysates were collected and dual luciferase assays were performed. Plasmid, pUC19-shRNA331, which was directed towards the HCV-5'-untranslated region (UTR) and inhibited translation of HCV, was transfected into naive Huh7 cells as a positive control which suppressed the activity of HCV-IRES.

Synthetic shRNA and shRNA-expression plasmid

The ISG-directed short hairpin RNA (shRNA)-expression vectors (pUC19-shRNA-ISG) were designed and constructed as described previously [21]. Briefly, oligodeoxyribonucleotides encoding shRNA sequences were synthesized and cloned just downstream of human U6 promoter in the plasmid pUC19. To avoid problems due to structural instability of DNA strands arising from the tight palindrome structure to transcribe shRNA, several point mutations were introduced in the sense strand of the shRNA sequences, which fully retained silencing activity of the shRNA [21,23]. Sequences of the shRNAs were as follows; shRNA-IFI-6-16; 5'-TGA AGC CCA GCG CGG GCA GCC CGG CGA CTT TGG AGT CGC CGG GCT GCC CGT GTT GGG CTT TAT TTT TT -3', shRNA-IFI-27; 5'- CGA TTC CCG CCG CAG TGA AGC CCA TGG CAT TGG TGC CAT GGG CTT CAC TGT GGC GGG AAT TGT TTT TT -3', and shRNA-GBP-1; 5'-CGA GGC CCG TTG ACC TGG ATG CCT CCT GAC CAA TCA GGA GGC ATC CAG GTT AAC GGG CTT TGT TTT TT -3'. Two control shRNA vectors were used: pUC19-shRNA-control expressed shRNA directed towards an unrelated target, the Machado-Joseph disease gene, and an HCV shRNA directed towards the 5'-untranslated region of HCV genome, pUC19-shRNA331 which significantly suppressed HCV replication [21].

Table 2 Expression profiles of interferon-stimulated genes in naive Huh7, Huh7/Rep and cured Huh7 cells

Gene	Fold induction by IFN [†] in Huh7	Fold induction by IFN [†] in Huh7/Rep	Basal expression in Huh7/Rep [‡]	Basal expression in cHuh7 [‡]
IP10	101.5	7.16	0.13*	0.58*
RIG-G	88.2	–	0.01	0.39
IFI-27	73.1	–	0.72*	–
IFI-56 K	71.8	24.7	0.41*	0.21*
MxA	46.5	12.6	0.49*	0.06*
IRF-9	36.8	–	0.49*	0.65*
GBP-1	14.8	5.51	0.38*	0.68
IFI-6-16	12.1	18.7	0.48*	0.26*
HCV microtubul	10.6	–	0.70	–
RING4	10.2	–	0.89	0.80
STAF50	10.1	–	0.98	–
TRAIL	9.37	–	0.58	–
9-27	9.87	124.6	0.56*	0.49*
IFP35	9.79	6.98	0.70*	0.73*
PLSCR1	6.70	–	0.62*	0.65*
STAT1a	6.33	–	0.92	–
NP	4.75	–	0.40*	–
LMP7	3.26	5.60	0.36*	0.16*
PKR	2.35	–	0.47*	–
Mac2BP	1.57	–	0.63*	0.06*
MECL1	1.34	–	1.50	0.56*
MK	0.99	–	0.70*	0.87
IL8	0.87	1.44	0.22*	0.60*
IRF-1	–	–	0.54*	0.13

IFN, interferon; ISGs, interferon-stimulated gene.

*P-values of <0.05.

†Relative induction levels of ISGs by treating Huh7 or Huh7/Rep cells with 100 U/mL of interferon-alpha.

‡Values represent relative expression levels in comparison with those of naive Huh7 cells.

Luciferase assays

Luciferase activity was measured with a Lumat LM9501 luminometer (Promega) using a Bright-Glo Luciferase Assay System (Promega) or a Dual-Luciferase Reporter Assay System (Promega).

MTS assays

To evaluate cell growth and cell viability, MTS assays were performed using the CellTiter 96 Aqueous One Solution Cell Proliferation Assay (Promega).

Western blot analysis

Western blotting was performed as described [20]. Briefly, 10 µg of total cell lysate was separated by SDS-PAGE, and blotted onto a polyvinylidene fluoride (PVDF) membrane. The membrane was incubated with the primary antibodies followed by a peroxidase-labelled anti IgG antibody, and visualized by chemiluminescence using the ECL Western

blotting Analysis System (Amersham Biosciences, Buckinghamshire, UK). Antibodies used were anti-6xHis, anti-V5 (Invitrogen), anti-PKR, anti-IRF-9 (Santa Cruz Biotechnology, Santa Cruz, CA, USA), anti-NS5A antibodies (kindly provided by Dr Kohara), and anti-beta-actin antibodies (Sigma, St Louis, MO, USA).

Statistical analyses

Statistical analyses were performed using Student's *t*-test; P-values of <0.05 were considered statistically significant.

RESULTS

Decreased expression levels of ISGs in cells expressing HCV replicon and in the cured Huh7 cells.

Type-I IFNs stimulate the expression of numerous ISGs [24]. We studied a set of these genes, which are overexpressed in the early phase of acute HCV infection, and elimination of virus from the liver of a chimpanzee that had been

experimentally inoculated with HCV (Table 1) [6]. Basal expression levels of the ISGs were quantified in naive Huh7 cells, HCV replicon-expressing cells (Huh/Rep), and in the cured Huh7 cells from which the replicon had been eliminated (cHuh7) (Table 2). Of 24 ISG tested, 22 ISGs were overexpressed by IFN-alpha treatment of naive Huh7 cells. The induction velocities of the ISGs were similar between Huh7/Rep and naive Huh7 cells. On the contrary, basal expression levels of the ISGs in the Huh7/Rep cells were significantly lower than in the naive Huh7 cells. Furthermore, the expression levels of ISGs were similarly decreased in the cHuh7 cells. These findings suggested that the decrease of ISGs in the replicon-expressing cells was not because of functional suppression by the replication of HCV genome or by the expression of the virus nonstructural proteins but because of the adaptation of cells in which ISGs were down-regulated, thereby enabling a higher level of HCV genomic replication.

Downregulation of IFI-56K promoter and ISRE promoter activity in replicon-expressing cells

To verify whether the decreased expression of the ISG in replicon expressing cells (Huh7/Rep) and in cured cells (cHuh7) was because of transcriptional suppression, reporter

assays were performed using reporter constructs that directed ISRE-, IFI-56K-, NF-kappa B- and AP1-dependent promoters: i.e. pISRE-TA-Luc, IFI-56K-Luc, pNF-kappa B-Luc and pAP1-TA-Luc (Fig. 1). The luciferase reporter activities of pIFI-56K-Luc and pISRE-TA-Luc were significantly lower in Huh7/Rep than in the naive Huh7 ($19.3 \pm 1.46\%$ and $15.1 \pm 0.450\%$, respectively, Fig. 1a,b). Conversely, there was no difference in NF-kappa B and AP1-reporter activities between Huh7/Rep and naive Huh7 cells (Fig. 1c,d). These results suggest that the decrease of ISGs in Huh7/Rep cells is due to down regulation of the ISRE-dependent transcriptional regulatory domain.

The effect of ISG over-expression on HCV replication

Based on the above results demonstrating an overall decrease of ISG expression levels in the replicon-harboring cells, we next conducted the following studies to screen ISGs, which were suppressed in the replicon-expressing cells, for their activities in suppressing intracellular HCV replication. To conduct the study, we constructed 18 plasmid vectors expressing respective ISG (pcDNA-ISGs), and analysed their anti-HCV activities by overexpression. Among the genes that were overexpressed in IFN-alpha treatment of Huh7 cells, 18 genes were subcloned into mammalian expression plasmids.

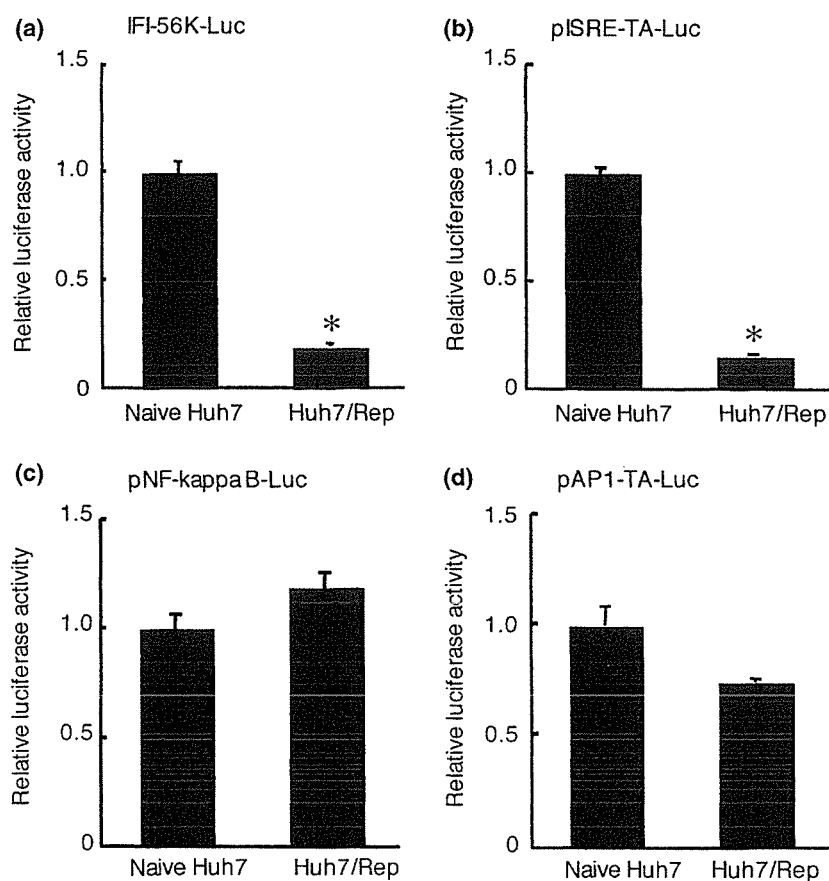


Fig. 1 Suppression of interferon-induced protein (IFI)-56K promoter and interferon-stimulated response element (ISRE) promoter activities in cells expressing hepatitis C virus replicon. Promoter activities of IFI-56K (panel A), ISRE (panel B), NF-kappa B (panel C), and AP1 (panel D) were measured by luciferase reporter assays. Reporter plasmids, IFI-56K-Luc, pISRE-TA-Luc, pNF-kappaB-TA-Luc, pAP-1-TA-Luc, and pTA-Luc were respectively transfected into naive Huh7 and Huh7/Rep cells together with pRL-CMV to normalize transfection efficiency. After 48 h of transfection, dual luciferase assays were performed. Error bars indicate mean + SD. *P-values of <0.05.

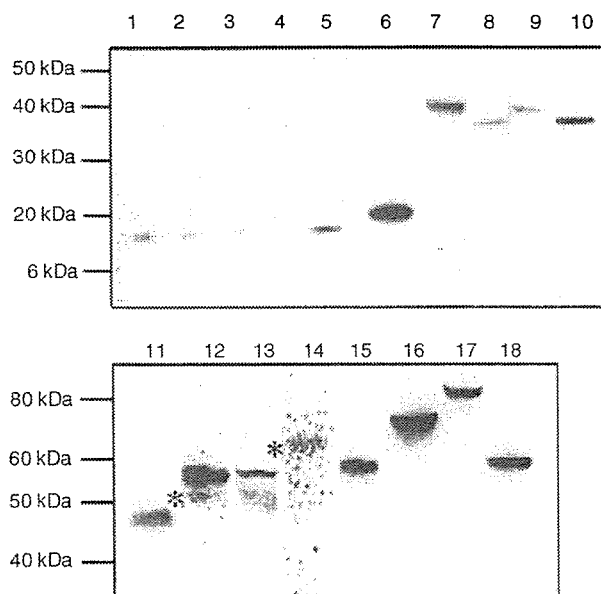


Fig. 2 Western blotting analysis of cells transfected with the interferon-stimulated gene (ISG)-expression plasmids. ISG expression vectors were respectively transfected into Huh7 cells or into 293T cells. The cells were harvested at 48 h after transfection. Ten micrograms of cell lysate was separated by SDS-PAGE and blotted onto a nylon membrane. The membrane was immunoblotted with anti-6xHis antibodies, anti-V5 antibodies, anti-protein kinase R (PKR) antibodies, or anti-interferon regulatory factor (IRF)-9 antibodies and detected by chemiluminescence reaction. Lane 1: IP10, lane 2: IL8, lane 3: IFI-27, lane 4: 9-27, lane 5: IFI-6-16, lane 6: ISG15, lane 7: PLSCR1, lane 8: LMP7-E1, lane 9: IFP35, lane 10: TRAIL, lane 11: IRF-1, lane 12: IRF-9, lane 13: IFI-56K, lane 14: PKR, lane 15: RIG-G, lane 16: GBP-1, lane 17: MxA and lane 18: 25OAS. *Expected size of IRF-9 in lane 12 or PKR in lane 14, respectively.

Transfection of each ISG-expression plasmid into Huh7 cells and Western blotting showed that each ISG-expression plasmid yielded a protein of the expected size (Fig. 2). We then transfected the pcDNA-ISG plasmids into Huh7/Rep-Feo cells, in which the expression levels of the replicon can be monitored by the luciferase assay. Transfection analyses showed that the replication level of HCV replicon was significantly suppressed by plasmid vectors expressing PKR ($48.7 \pm 7.2\%$), MxA ($46.8 \pm 5.6\%$), IRF-9 ($44.8 \pm 4.4\%$), GBP-1 ($36.3 \pm 7.5\%$), IFI-6-16 ($37.4 \pm 19.2\%$), IFI-27 ($28.4 \pm 1.2\%$), 25OAS ($25.6 \pm 4.1\%$) and IRF-1 ($8.64 \pm 1.13\%$) (Fig. 3a).

MTS assays of the cells transfected with pcDNA-ISG plasmids showed no significant effects on cell growth and viability, demonstrating that the effects of ISG transfection on the expression of the replicon were not because of cytotoxicity (Fig. 3b).

Similarly, Western blotting showed that the expression of NS5A protein was decreased by the overexpression of the ISGs (Fig. 3c).

The effects of ISGs on cellular signal transduction pathways

It has been reported that expression levels of several host proteins affect the functions of various cellular signal transduction pathways. IRF-1, for instance, binds directly not only to IRF-E but also to ISRE and positively regulates the expression of ISGs [25,26]. To examine whether the ISGs that significantly suppressed HCV replication affect on cellular signal transduction pathway, the ISG-expression plasmids were respectively cotransfected with reporter plasmids, pISRE-TA-Luc, pGAS-TA-Luc, pNF-kappa B-TA-Luc, or pAP1-TA-Luc into Huh7 cells. An IRF-1 expression plasmid, pcDNA-IRF-1, was transfected as a positive control to activate ISRE, and interferon-gamma was used as a positive control to activate GAS. After the transfection, the expression of each ISG did not show any significant effects on ISRE-, AP1-, NF-kappa B, or GAS-luciferase reporter activities (Fig. 4).

The effects of GBP-1, IFI-6-16 and IFI-27 on the translational activity of HCV

Among the genes that have shown suppressive activities on HCV replication (Fig. 3), the antiviral activities of GBP-1, IFI-6-16 and IFI-27 have not been widely reported [27]. Therefore, we conducted further investigations on those genes. To verify that overexpression of the genes influences HCV-IRES-mediated translation, a reporter assay using HCV-IRES-luciferase plasmid was performed. A plasmid, pCneo-Rluc-IRES-Fluc was cotransfected with pcDNA-GBP-1, pcDNA-IFI-6-16, and pcDNA-IFI-27, respectively into Huh7 cells. Luciferase assay after 48 h of transfection showed that the IRES-dependent Fluc activity was not significantly changed by overexpression of GBP-1, IFI-6-16, and IFI-27 (Fig. 5), suggesting that GBP-1, IFI6-16 and IFI-27 had little effect on the expression of HCV proteins.

The effects of knock down of GBP-1, IFI-6-16 and IFI-27 on HCV replication

We subsequently investigated effects of suppression of GBP-1, IFI-6-16, or IFI-27 expression on HCV replication. To conduct the study, we used shRNA expression-plasmid vectors, pUC19-shRNA-GBP-1, pUC19-shRNA-6-16 and pUC19-shRNA-IFI-27, which expressed shRNA that targeted corresponding genes. The shRNA-expressing plasmids were cotransfected with plasmids expressing respective target genes into Huh7 cells. Western blots showed that the expression level of each protein was significantly suppressed

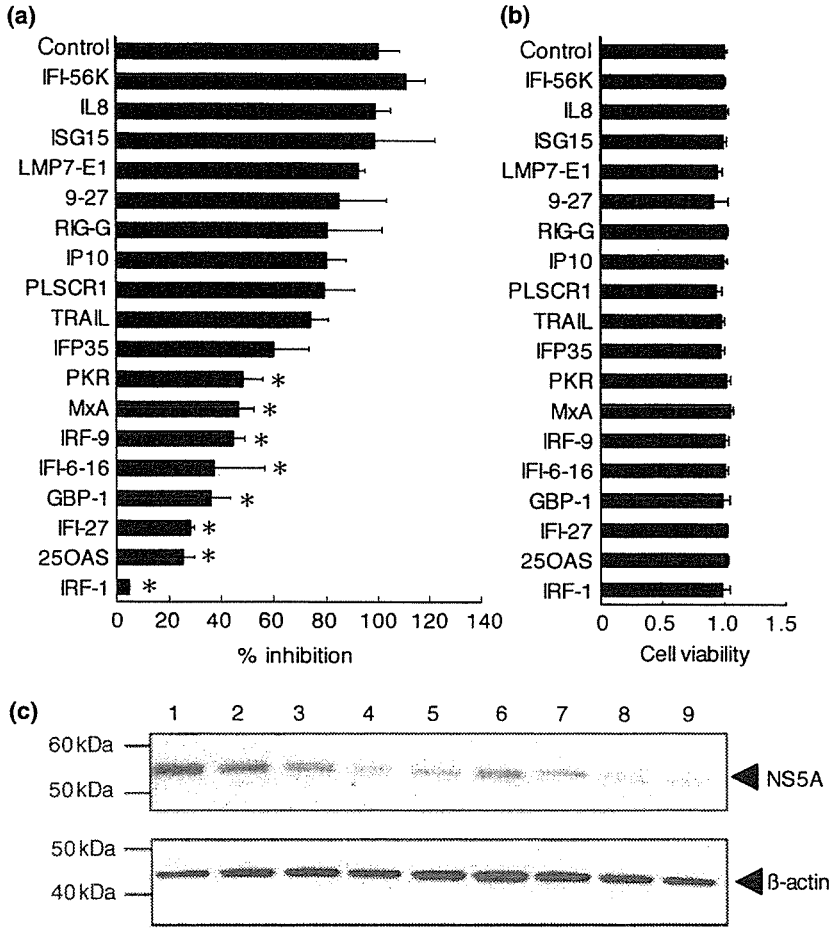


Fig. 3 The effect of ISG overexpression on *in vitro* hepatitis C virus replication. (a) The indicated interferon-stimulated gene (ISG)-expression plasmids were transfected into Huh7/Rep-Feo cells. At 48 h after transfection, luciferase activities were measured. The values were displayed as percentages of luciferase activities relative to that of Huh7/Rep-Feo transfected pcDNA3.1D/V5-His/lacZ (control). Error bars indicate mean + SD. **P*-values of <0.05. (b) MTS assays of the cells transfected ISG-expression plasmids. (c) ISG-expression plasmids were transfected into Huh7/Rep cells. Forty-eight hours after transfection, the cell lysates were subjected Western blotting by using anti-NS5A antibody (upper panel) or anti-beta-actin antibodies (lower panel). Lane 1; pcDNA3.1D/V5-His/lacZ (control), lane 2; pcDNA-PKR, lane 3; pcDNA-MxA, lane 4; pcDNA-IRF-9, lane 5; pcDNA-IFI-6-16, lane 6; pcDNA-GBP-1, lane 7; pcDNA-IFI-27, lane 8; pcDNA-25OAS and lane 9; pcDNA-IRF-1.

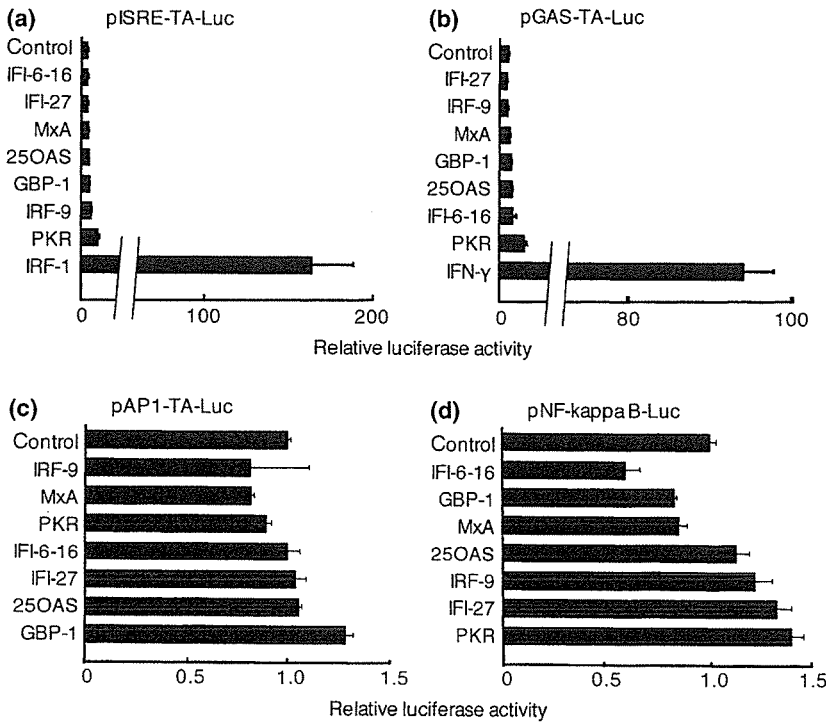


Fig. 4 The effects of interferon-stimulated genes (ISGs) on cellular signal transduction pathways. Reporter plasmids, pISRE-TA-Luc (panel A), pGAS-TA-Luc (panel B), pAP1-TA-luc (panel C), or pNF-kappa B-TA-luc (panel D) were cotransfected into Huh7 cells with the indicated ISG-expression plasmid vectors. At 48 h after transfection, the internal luciferase activities were measured. The values are displayed as relative to those in cells transfected with a control plasmid, pcDNA3.1D/V5-His/lacZ (control). Error bars indicate mean + SD. **P*-values of <0.05.

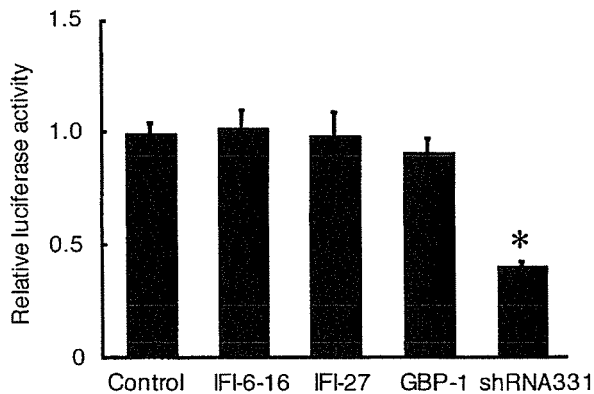


Fig. 5 The effect of guanylate binding protein (GBP)-1, interferon-induced protein (IFI)-6-16 and IFI-27 expression on hepatitis C virus (HCV)-internal ribosome entry site (IRES). HCV-IRES-luciferase construct, pCIneo.Rluc-IRES-Fluc was cotransfected with the indicated ISG-expression plasmid, pcDNA-ISG or pUC19-shRNA331 into naive Huh7 cells. Luciferase activities were measured at 48 h after transfection. The values are displayed as relative to those in cells transfected with a control plasmid, pcDNA3.1D/V5-His/lacZ (control). Values were displayed as mean + SD. *P-values of <0.05.

by the respective shRNA-expressing plasmids (Fig. 6a). Thus, we next transfected the shRNA-expression plasmid into Huh7/Rep-Feo cells. Luciferase assays 48 h after transfection showed that expression levels of HCV replicon were significantly increased in the shRNA-transfected cells ($46.2 \pm 10.6\%$ for shRNA-GBP-1, $34.0 \pm 10.3\%$ for shRNA-6-16, and $48.1 \pm 28.1\%$ for shRNA-IFI-27, respectively, Fig. 6b).

DISCUSSION

Persistence of virus replication in host cells is a function determined by the cellular antiviral system and by the counteraction of the virus to evade the antiviral responses [28]. In this study, we have found that the expression levels of individual ISGs were substantially decreased in HCV replicon-expressing cells (Huh7/Rep) compared with naive Huh7 cells (Table 2) which was because of a transcriptional suppression by the exclusive decrease of ISRE activities in Huh7/Rep (Fig. 1).

Activation of ISRE is mediated by ISGF-3 or by IRFs. However, in the absence of IFN stimuli, ISGF-3 is not the main activating factor for ISRE [29]. Thus, the IRFs, including IRF-1, IRF-3 and IRF-7, are potential regulators of basal ISRE activity. The attenuation of the cellular IFN-mediated transcriptional network has been reported by Geiss *et al.* [30]. We have further reported that expression of interferon regulatory factor-1 (IRF-1) is decreased in cells expressing replicon which may contribute to the enhanced replication of the viral genome [22]. Similarly in

the nonhepatocyte HeLa cell lines which support replication of HCV replicon, ISRE activity was significantly lower in the replicon-expressing cells than in the naive cells. These findings suggest that the decreased baseline ISRE activities may contribute to the high permissiveness of HCV replicon.

The actions of IFN are mediated by expressional induction of various ISGs which have a wide spectrum of activities. The decreased ISG expression levels in the replicon-expressing cells and the enhanced HCV replication in the cured cells, in which ISG expression had been decreased, have led us to speculate that certain ISGs which were down-regulated in the replicon-expressing cells may have direct effects on viral replication. Thus we have investigated the IFN-induced proteins through [1] the generation of cells overexpressing IFN-induced gene products and [31] the generation of cells in which the expression of IFN-inducible gene products have been knocked down. Our overexpression analyses using the cell lines expressing HCV replicon (Huh7/Rep-Feo) identified eight genes that inhibited HCV replication and expression of the virus proteins: PKR, 25OAS, IRF-1, IRF-9, MxA, GBP-1, IFI-6-16 and IFI-27 (Fig. 3a,c). These genes did not activate ISRE, GAS, NF-kappa B, or AP1 promoter activities (Fig. 4a-d), suggesting that the genes directly mediate antiviral effects without activating aberrant signal transduction pathways which may induce aberrant antiviral actions. Among the genes, the antiviral activities of PKR, 25OAS, IFI-56K and MxA have been well documented [10,11,13,14], while the effects of GBP-1, IFI-6-16 and IFI-27 on virus replication have not been reported, with the exception of one study on IFI-6-16 [27]. Overexpression of GBP-1, IFI-6-16 and IFI-27 did not influence HCV-IRES-mediated translation efficiency (Fig. 5); shRNA-directed knock down of the genes caused a significant increase in the HCV replication level (Fig. 6). These results suggest that GBP-1, IFI-6-16 and IFI-27, which we have identified as having antiviral activities, may contribute to the IFN-induced cellular antiviral responses.

GBP-1 is thought to belong to a group of large GTP-binding proteins such as Mx and dynamin [32–34]. There is one report that GBP-1 mediates antiviral effects against vesicular stomatitis virus (VSV) and encephalomyocarditis virus (EMCV) in HeLa cells [31]. Dong *et al.* [35] have recently reported antiviral action of phospholipids scramblase 1 (PLSCR1) on VSV replication. In our present study, overexpression of GBP-1 significantly suppressed replication of HCV replicon and suppression of GBP-1 caused HCV replication levels to increase, while overexpression of PLSCR1 did not affect HCV replication (Figs 3 and 6). These findings suggest that GBP-1 may suppress intracellular HCV replication and demonstrate that the expression of GBP-1 in the absence of IFN treatment results in inhibition of viral replication. However, little is known about the underlying antiviral mechanisms. Our preliminary data showed that overexpression of GBP-1 did not suppress EMCV-IRES-mediated translation efficiency (data not shown). It is poss-

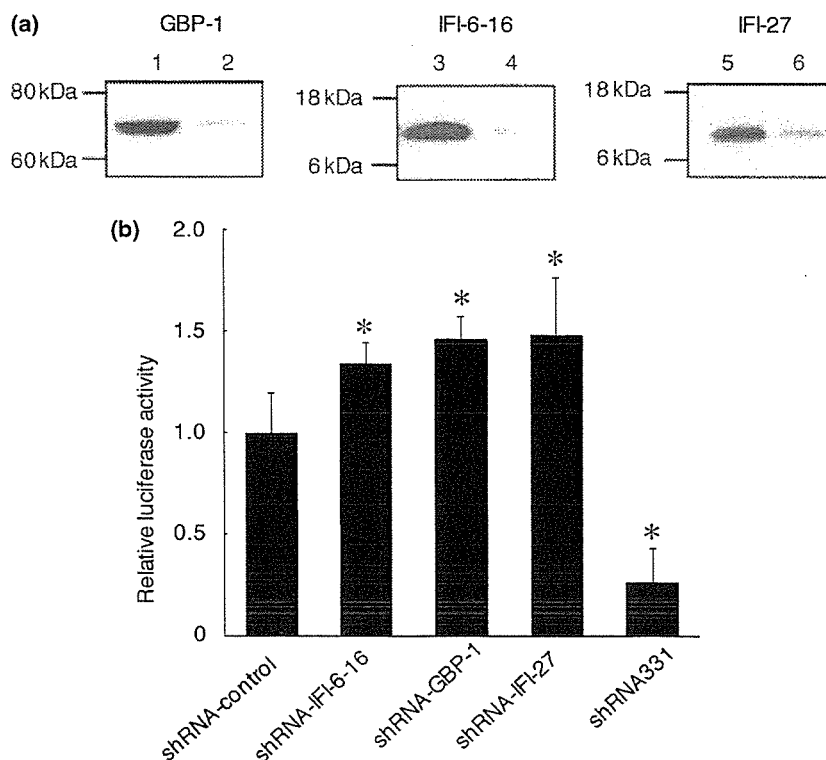


Fig. 6 Effects of shRNA-directed suppression of guanylate binding protein (GBP)-1, interferon-induced protein (IFI)-6-16 and IFI-27 expression on hepatitis C virus (HCV) replication. (a) The indicated interferon-stimulated gene (ISG)-expression plasmids, pcDNA-GBP-1 (Lanes 1 and 2), pcDNA-IFI-6-16 (Lanes 3 and 4), or pcDNA-IFI-27 (Lanes 5 and 6) were cotransfected with shRNA-expressing plasmid, pUC19-shRNA-control (Lanes 1, 3 and 5) or pUC19-shRNA-GBP-1 (Lane 2), pUC19-shRNA-IFI-6-16 (Lane 4), pUC19-shRNA-IFI-27 (Lane 6) into Huh7 cells. Cells were harvested at 48 h after transfection and Western blotting was performed using anti-6xHis or anti-V5 antibodies. (b) Effects of ISG suppression on HCV replication. Plasmids, pUC19-shRNA-ISG, pUC19-shRNA331, or pUC19-shRNA-control were respectively transfected into Huh7/Rep-Feo cells, and luciferase activities were measured after 48 h. The values are displayed as relative to those in cells transfected with a control plasmid, pUC19-shRNA-control. Values were displayed as mean + SD. **P*-values of <0.05.

ible that GBP-1 has functional homology with MxA which shows GTPase activity and mediates degradation of cellular RNA, general repression of protein synthesis and apoptotic cell death [13]. It has also been reported that a Th1 cytokine, IFN-gamma, suppressed replication of HCV replicon [15]. As GBP-1 is a major IFN-gamma-induced proteins in human cells [36], GBP-1 might also contribute to IFN-gamma-directed inhibition of HCV replication.

A group of small ISGs including IFI-27 and IFI-6-16 remains uncharacterized, and their functions are still basically unknown [37–42]. IFI-6-16 is a hydrophobic protein and thought to be present in the membrane. It is postulated to be a precursor protein but its signal peptide region has not been confirmed. Little is known about molecular functions of IFI-6-16 except that its promoter region contains one ISRE [43]. One study has reported on the antiviral effect of IFI-6-16 on HCV replication, however, the mechanism of action remained uncharacterized [27]. The study reported that the expression of IFI-6-16 protein enhanced IFN-mediated antiviral activity, while transfection of IFI-6-16 alone did not

cause significant inhibition of HCV replication. IFI-27 (also referred to as ISG12) is a putative highly hydrophobic protein of 122 amino acids which has a 33% overall sequence similarity to IFI-6-16. IFI-27 is unique in that it is the only protein found thus far to localize to the nuclear envelope, although its function in the nuclear envelope has not yet been explored [44]. It has also been reported that ISG12 exerts protective effects during lethal Sindbis virus infection and that ISG12 is the only ISG with greater expression in the disease recovery phase than the acute phase of the viral infection [45]. In our present study, overexpression of IFI-6-16 or IFI-27 inhibited replication of HCV replicon (Fig. 3), and the shRNA-knock down of each gene caused HCV replication to increase (Fig. 6). These findings also suggest that the expression of IFI-6-16 or IFI-27 without IFN treatment inhibits HCV-replication. In a previous DNA microarray study in an HCV infection model, IFI-6-16 gene expression was highly induced at the early stage of infection, while IFI-27 was induced in both the acute and recovery phases of infection [6]. Because neither of the proteins suppressed HCV-

IRES-directed translation, their actions against HCV may not involve translation of the virus protein, but rather the inhibition of post-translational processing, or blockage of the assembly of nonstructural proteins to form replicase complex.

In conclusion, the downregulation of ISG expression levels in cells supporting HCV subgenomic replication, which we have demonstrated in this study, indicates that cellular interferon responses are essential for the regulation of HCV replication. The response of IFN is directed by a synergistic action of various ISGs, including the gene that we have newly identified, each of which mediates antiviral actions. Further investigation of their antiviral actions may help elucidating the cellular defence mechanisms against virus infection and will provide new direction for investigating how IFNs protect cells against viral infection.

ACKNOWLEDGEMENTS

This study was supported by grants from the Japan Society for the Promotion of Science, 15590629, 16590580 and partly supported by a grant from the Viral Hepatitis Research Foundation of Japan. We thank Dr Michinori Kohara for providing anti-NS5A antibodies.

REFERENCES

- Alter MJ. Epidemiology of hepatitis C. *Hepatology* 1997; 26: 62S–65S.
- Choo QL, Kuo G, Weiner AJ, Overby LR, Bradley DW, Houghton M. Isolation of a cDNA clone derived from a blood borne non-A, non-B viral hepatitis genome. *Science* 1989; 244: 359–362.
- McHutchison JG, Gordon SC, Schiff ER *et al.* Interferon alfa-2b alone or in combination with ribavirin as initial treatment for chronic hepatitis C Hepatitis Interventional Therapy Group. *N Engl J Med* 1998; 339: 1485–1492.
- Samuel C. Antiviral actions of interferons. *Clin Microbiol Rev* 2001; 14: 778–809.
- Taniguchi T, Takaoka A. The interferon-alpha/beta system in antiviral responses: a multimodal machinery of gene regulation by the IRF family of transcription factors. *Curr Opin Immunol* 2002; 14: 111–116.
- Bigger CB, Guerra B, Lanford RE. DNA microarray analysis of chimpanzee liver during acute resolving hepatitis C virus infection. *J Virol* 2001; 75: 7059–7066.
- Goodbourn S, Didcock L, Randall RE. Interferons: cell signalling, immune modulation, antiviral response and virus countermeasures. *J Gen Virol* 2000; 81: 2341–2364.
- Darnell JE Jr, Kerr IM, Stark GR. Jak-STAT pathways and transcriptional activation in response to IFNs and other extracellular signaling proteins. *Science* 1994; 264: 1415–1421.
- Taniguchi T, Ogasawara K, Takaoka A, Tanaka N. IRF family of transcription factors as regulators of host defense. *Annu Rev Immunol* 2001; 19: 623–655.
- Sen GC. Viruses and interferons. *Annu Rev Microbiol* 2001; 55: 255–281.
- Silverman RH. Fascination with 2-5A-dependent RNase: a unique enzyme that functions in interferon action. *J Interferon Res* 1994; 14: 101–104.
- Clemens MJ, Elia A. The double-stranded RNA-dependent protein kinase PKR: structure and function. *J Interferon Cytokine Res* 1997; 17: 503–524.
- Stark GR, Kerr IM, Williams BR, Silverman RH, Schreiber RD. How cells respond to interferons. *Annu Rev Biochem* 1998; 67: 227–264.
- Guo J, Peters KL, Sen GC. Induction of the human protein P56 by interferon, double-stranded RNA, or virus infection. *Virology* 2000; 267: 209–219.
- Frese M, Schwarzle V, Barth K *et al.* Interferon-gamma inhibits replication of subgenomic and genomic hepatitis C virus RNAs. *Hepatology* 2002; 35: 694–703.
- Lohmann V, Korner F, Koch J, Herian U, Theilmann L, Bartenschlager R. Replication of subgenomic hepatitis C virus RNAs in a hepatoma cell line. *Science* 1999; 285: 110–113.
- Maekawa S, Enomoto N, Sakamoto N *et al.* Introduction of NS5A mutations enables subgenomic HCV-replicon derived from chimpanzee-infectious HC-J4 isolate to replicate efficiently in Huh-7 cells. *J Viral Hepatitis* 2004; 11: 394–403.
- Blight KJ, Kolykhalov AA, Rice CM. Efficient initiation of HCV RNA replication in cell culture. *Science* 2000; 290: 1972–1974.
- Guo JT, Bichko VV, Seeger C. Effect of alpha interferon on the hepatitis C virus replicon. *J Virol* 2001; 75: 8516–8523.
- Tanabe Y, Sakamoto N, Enomoto N *et al.* Synergistic inhibition of intracellular hepatitis C virus replication by combination of ribavirin and interferon-alpha. *J Infect Dis* 2004; 189: 1129–1139.
- Yokota T, Sakamoto N, Enomoto N *et al.* Inhibition of intracellular hepatitis C virus replication by synthetic and vector-derived small interfering RNAs. *EMBO Rep* 2003; 4: 602–608.
- Kanazawa N, Kurosaki M, Sakamoto N *et al.* Regulation of hepatitis C virus replication by interferon regulatory factor-1. *J Virol* 2004; 78: 9713–9720.
- Miyagishi M, Taira K. U6 promoter-driven siRNAs with four uridine 3' overhangs efficiently suppress targeted gene expression in mammalian cells. *Nat Biotech* 2002; 19: 497–500.
- Der SD, Zhou A, Williams BR, Silverman RH. Identification of genes differentially regulated by interferon alpha, beta, or gamma using oligonucleotide arrays. *Proc Natl Acad Sci U S A* 1998; 95: 15623–15628.
- Pine R, Decker T, Kessler DS, Levy DE, Darnell JE Jr. Purification and cloning of interferon-stimulated gene factor 2 (ISGF2): ISGF2 (IRF-1) can bind to the promoters of both beta interferon- and interferon-stimulated genes but is not a primary transcriptional activator of either. *Mol Cell Biol* 1990; 10: 2448–2457.
- Tanaka N, Kawakami T, Taniguchi T. Recognition DNA sequences of interferon regulatory factor 1 (IRF-1) and IRF-2, regulators of cell growth and the interferon system. *Mol Cell Biol* 1993; 13: 4531–4538.
- Zhu H, Zhao H, Collins CD *et al.* Gene expression associated with interferon alfa antiviral activity in an HCV replicon cell line. *Hepatology* 2003; 37: 1180–1188.

- 28 He Y, Katze MG. To interfere and to anti-interfere: the interplay between hepatitis C virus and interferon. *Viral Immunol* 2002; 15: 95–119.
- 29 Lau JF, Parisien JP, Horvath CM. Interferon regulatory factor subcellular localization is determined by a bipartite nuclear localization signal in the DNA-binding domain and interaction with cytoplasmic retention factors. *Proc Natl Acad Sci U S A* 2000; 97: 7278–7283.
- 30 Geiss GK, Carter VS, He Y *et al.* Gene expression profiling of the cellular transcriptional network regulated by alpha/beta interferon and its partial attenuation by the hepatitis C virus nonstructural 5A protein. *J Virol* 2003; 77: 6367–6375.
- 31 Anderson SL, Carton JM, Lou J, Xing L, Rubin BY. Interferon-induced guanylate binding protein-1 (GBP-1) mediates an antiviral effect against vesicular stomatitis virus and encephalomyocarditis virus. *Virology* 1999; 256: 8–14.
- 32 Prakash B, Praefcke GJ, Renault L, Wittinghofer A, Herrmann C. Structure of human guanylate-binding protein 1 representing a unique class of GTP-binding proteins. *Nature* 2000; 403: 567–571.
- 33 Prakash B, Renault L, Praefcke GJ, Herrmann C, Wittinghofer A. Triphosphate structure of guanylate-binding protein 1 and implications for nucleotide binding and GTPase mechanism. *EMBO J* 2000; 19: 4555–4564.
- 34 van der Blik AM. Functional diversity in the dynamin family. *Trends Cell Biol* 1999; 9: 96–102.
- 35 Dong B, Zhou Q, Zhao J *et al.* Phospholipid scramblase 1 potentiates the antiviral activity of interferon. *J Virol* 2004; 78: 8983–8993.
- 36 Cheng YS, Colonno RJ, Yin FH. Interferon induction of fibroblast proteins with guanylate binding activity. *J Biol Chem* 1983; 258: 7746–7750.
- 37 Blomstrom DC, Fahey D, Kutny R, Korant BD, Knight E Jr. Molecular characterization of the interferon-induced 15-kDa protein. Molecular cloning and nucleotide and amino acid sequence. *J Biol Chem* 1986; 261: 8811–8816.
- 38 Friedman RL, Manly SP, McMahon M, Kerr IM, Stark GR. Transcriptional and posttranscriptional regulation of interferon-induced gene expression in human cells. *Cell* 1984; 38: 745–755.
- 39 Guille MJ, Laxton CD, Rutherford MN, Williams BR, Kerr IM. Functional differences in the promoters of the interferon-inducible (2'–5')A oligoadenylate synthetase and 6–16 genes in interferon-resistant Daudi cells. *Eur J Biochem* 1994; 219: 547–553.
- 40 Kelly JM, Porter AC, Chernajovsky Y, Gilbert CS, Stark GR, Kerr IM. Characterization of a human gene inducible by alpha- and beta-interferons and its expression in mouse cells. *EMBO J* 1986; 5: 1601–1606.
- 41 Lewin AR, Reid LE, McMahon M, Stark GR, Kerr IM. Molecular analysis of a human interferon-inducible gene family. *Eur J Biochem* 1991; 199: 417–423.
- 42 Rasmussen UB, Wolf C, Mattei MG *et al.* Identification of a new interferon-alpha-inducible gene (p27) on human chromosome 14q32 and its expression in breast carcinoma. *Cancer Res* 1993; 53: 4096–4101.
- 43 Porter AC, Chernajovsky Y, Dale TC, Gilbert CS, Stark GR, Kerr IM. Interferon response element of the human gene 6–16. *EMBO J* 1988; 7: 85–92.
- 44 Martensen PM, Sogaard TM, Gjermandsen IM *et al.* The interferon alpha induced protein ISG12 is localized to the nuclear membrane. *Eur J Biochem* 2001; 268: 5947–5954.
- 45 Labrada L, Liang XH, Zheng W, Johnston C, Levine B. Age-dependent resistance to lethal alphavirus encephalitis in mice: analysis of gene expression in the central nervous system and identification of a novel interferon-inducible protective gene, mouse ISG12. *J Virol* 2006; 76: 11688–11703.

Site-specific mutation of the interferon sensitivity-determining region (ISDR) modulates hepatitis C virus replication

T. Kohashi,^{1*} S. Maekawa,^{1,2*} N. Sakamoto,¹ M. Kurosaki,¹ H. Watanabe,¹ Y. Tanabe,¹ C.-H. Chen,¹ N. Kanazawa,¹ M. Nakagawa,¹ S. Kakinuma,¹ T. Yamashiro,¹ Y. Itsui,¹ T. Koyama,¹ N. Enomoto² and M. Watanabe¹ ¹Department of Gastroenterology and Hepatology, Tokyo Medical and Dental University, Yushima, Bunkyo, Tokyo, Japan; and ²First Department of Internal Medicine, Faculty of Medicine, University of Yamanashi, Shimokato, Chuo, Yamanashi, Japan

Received July 2005; accepted for publication October 2005

SUMMARY. The number of amino acid substitutions in the interferon sensitivity-determining region (ISDR) in the non-structural 5A (NS5A) gene of hepatitis C virus (HCV) is closely associated with the interferon (IFN) response and viral load. Several HCV replicon-based studies have reported that ISDR sequences had an influence on viral replication *in vitro*. However, it is unclear as to how different ISDR sequences affect HCV replication. Various clinically observed ISDR sequences were introduced into HCV replicons and their contribution to viral replication was investigated using a colony formation assay and/or a transient replication assay. A mapping study of the ISDR was performed to identify the amino acid positions that critically affect replication. While no colonies were formed in the colony for-

mation assay using HCV replicons with few mutations (0, 1 and 3) in the ISDR, numerous colonies (>200) appeared when using constructs with six mutations. Introduction of various distinct ISDR sequences with multiple mutations resulted in replication enhancement in transient assays. A mapping study identified several specific sites in the ISDR that critically affected replication, including codon 2209 which, in patients, was closely associated with a strong response to IFN. ISDR sequences associated with a clinical IFN response and viral load modulated the replication of HCV replicons, suggesting the importance of the ISDR sequence in HCV infection.

Keywords: HCV replicon, NS5A, ISDR.

INTRODUCTION

Hepatitis C virus (HCV) is the leading cause of chronic hepatitis, cirrhosis and hepatocellular carcinoma worldwide [1]. Interferon (IFN)-alpha remains the key anti-viral agent against HCV, even in the era of combination therapy with pegylated-IFN and ribavirin [2,3]. However, because the eradication rate does not exceed half of the patients treated overall, the molecular mechanism(s) enabling HCV to survive during IFN treatment should be elucidated to enable the development of more effective therapeutic modalities.

The interferon sensitivity-determining region (ISDR) at position 2209–2248 of NS5A in the HCV genome was originally identified as the viral genomic element in which

codon changes were closely related to the clinical IFN response, i.e. the more substitutions in the ISDR, the more favourable the IFN response [4–6]. The close correlation of the ISDR mutations with IFN responses has been confirmed by other researchers and by a recent meta-analysis [7–10]. Amino acid substitutions in the ISDR were also associated with serum HCV-RNA levels, indicating that ISDR sequences have an important role in HCV replication. Because HCV clearance was strongly associated with the expression of numerous IFN-stimulated genes induced by endogenous IFN in the natural course of infection, the IFN-response and viral replication capacity cannot be considered separately [11]. It is thought that clearance and replication of HCV is controlled by a 'tug of war' between IFN and HCV. Thus, the NS5A protein might perturb this process according to the ISDR sequence.

A variety of putative NS5A functions have been postulated to date on the basis of studies *in vitro*. These include binding to TRADD [12], Grb2 [13], p21 [14,15], amphiphysin II [16] and other proteins that may influence the pathogenesis of HCV through their anti-viral effects, modulating apoptosis, signal transduction, or regulating the cell

*Both these authors contributed equally to this study.

Abbreviations: ISDR, interferon sensitivity-determining region; NS5A, nonstructural 5A; HCV, hepatitis C virus; IFN, interferon.

Correspondence: Dr Shinya Maekawa, First Department of Medicine, Faculty of Medicine, University of Yamanashi, 1110, Shimokato, Chuo, Yamanashi 409-3898, Japan. E-mail: maekawa@yamanashi.ac.jp

© 2006 The Authors
Journal compilation © 2006 Blackwell Publishing Ltd

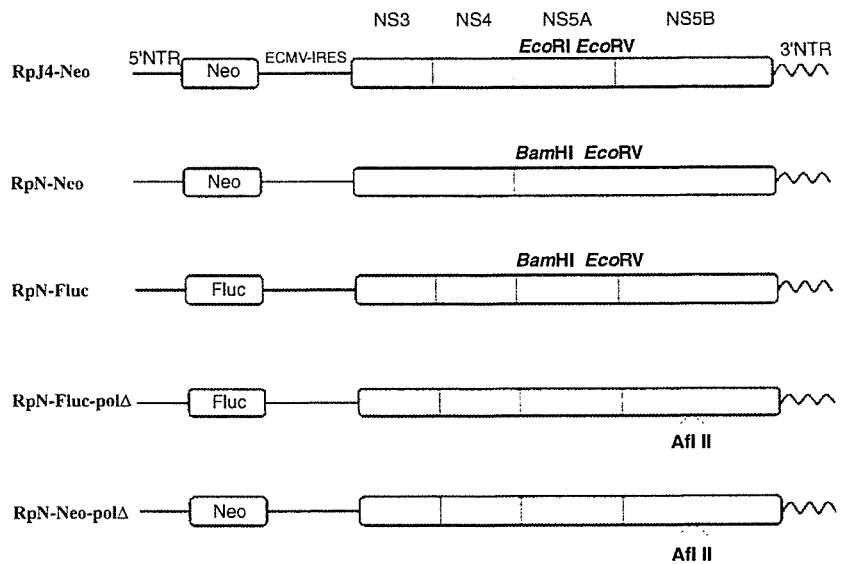


Fig. 1 Construction of HCV replicons. HCV replicons derived from HCV-N and HC-J4 isolates, and with the reporter genes *Neo* or *Fluc*, were used in this study. Using *EcoRI* and *EcoRV* digestion sites for HC-J4, and *BamHI* and *EcoRV* sites for HCV-N, ISDR sequences could be substituted by mutated sequences, as demonstrated.

cycle [15,17–20]. Meanwhile, studies focusing on ISDR sequences were quite restricted and most of these reports emphasized the importance of PKR as a binding counterpart of NS5A, because this protein binds to NS5A in an ISDR-dependent manner [21,22]. However, more recent studies could not prove any effect of NS5A on the activity of PKR either in Huh7 or HeLa cells [23,24], and the role of PKR remains unclear.

The subgenomic HCV replicon developed recently simulates HCV replication and is a valuable model for NS5A protein analysis, because NS protein function is required for replication in this system [25]. However, the HCV replicon needs to 'adapt' to the cell culture environment and these adaptive mutations are considered to be detrimental to HCV infection *in vivo* [26,27]. Importantly, even though these adaptive mutations were observed throughout the subgenome, most were found to be clustered in the central region of NS5A. This finding demonstrates the significance of NS5A sequences for HCV replication *in vitro* as well as *in vivo*, although they have opposing effects on replication in the two systems [26,28]. In NS5A, the serine cluster region has been much focused upon as the target for adaptive mutations because of its strong adaptive mutational effect and its influence on NS5A protein phosphorylation [26,29–31]. Although the ISDR was reported to be the target of adaptive mutations [26,32,33], and is located just downstream of the serine cluster region, its role in the replication of HCV replicons has not been investigated in detail.

On the other hand, we have recently conducted a clinical study of 334 patients with HCV-1b who were treated with IFN and found a close correlation between the IFN response and several individual mutations in the ISDR, suggesting that the effect of mutations in the ISDR varies according to the site [34]. This correlation also was reported in a meta-analysis study [10]. Because the tertiary structures of the NS5A protein determine their functions and affinity with

host or other viral proteins, it may be speculated that the ISDR function is not simply regulated by the number of mutations, but by the resultant NS5A protein conformation as determined by the respective ISDR amino acid sequences.

Therefore, using the HCV replicon system, we investigated how a variety of ISDR sequences from various clinical backgrounds influence replication, and whether there exist site-specific mutations critically affecting replication, as predicted by the clinical findings.

MATERIALS AND METHODS

Cell culture

Human hepatoma Huh7 cells were grown in Dulbecco's modified minimal essential medium (Sigma, St Louis, MO, USA) supplemented with 2 mM L-glutamine, non-essential amino acids, 100 IU of penicillin, 100 mg/L of streptomycin, and 10% foetal bovine serum at 37 °C under 5.0% CO₂. G418 (Wako, Osaka, Japan) was added to the culture medium at a final concentration of 200 µg/mL for cells carrying HCV replicons. The cells were split twice weekly at 1 : 5 to 1 : 6, depending on their confluence.

Plasmid constructions

Two replicon-harboring plasmids were used as starting materials: a plasmid 1bneo/delS containing the replicon construct derived from the chimpanzee-infectious clone HCV-N [35] (GenBank accession no. AF139594) and a plasmid pRpJ4 containing the replicon construct derived from the chimpanzee-infectious clone HC-J4 [33,36] (Fig. 1). Both HCV isolates were classified as genotype 1b. Into these plasmids, the firefly luciferase gene (*Fluc*) or the neomycin phosphotransferase gene (*Neo*) was introduced as a reporter

of replication. Next, in order to introduce various ISDR sequences into 1bneo/delS, a *Bam*HI site [nucleotide (nt.) 5302 to 5307 of 1bneo/delS] and an *Eco*RV site (nt. 5335 to 5340 of 1bneo/delS) were introduced into the NS5A region by site-directed mutagenesis (Quick-Change Multi Site-Directed Mutagenesis Kit; Stratagene, La Jolla, CA, USA). Mutagenesis primers were as follows: ISDR *Bam*HI-mutagenesis, 5'-CGTAGGTTGGCCAGGGGATCCCCCCTCCTTGCC-3', and ISDR *Eco*RV-mutagenesis, 5'-GAGGGGGATGA-GAATGAGATATCCATTGCGGCGGAG-3'. Digestion with *Bam*HI and *Eco*RV excised a DNA fragment encompassing nt. 5304 to 5337 of 1bneo/delS, including the ISDR. The DNA fragment was subcloned into the pLITMUS 28i vector (New England Biolabs, Beverly, MA, USA) and various ISDR mutations were introduced by site-directed mutagenesis of the pLITMUS 28i vector. Finally, these ISDR-mutated *Bam*HI-*Eco*RV fragments were subcloned back into the parental plasmid. From pRpJ4, digestion with *Eco*RI and *Eco*RV excised a DNA fragment encompassing nt. 5084 to 5528, including the ISDR, without mutagenesis. Likewise, various mutations were introduced into this DNA fragment in the subcloning vector pLITMUS28i. As replication-deficient controls, HCV-N derived replication-deficient replicons were constructed by introducing an NS5B frameshift. In order to construct this NS5B frameshift, plasmid 1bneo/delS was digested with *Afl*III, then subjected to blunting using a DNA Blunting Kit (Takara, Tokyo, Japan) and finally self-ligated (RpN-Fluc-pol Δ as a replication-deficient control for RpN-Fluc and RpN-Neo-pol δ as a replication-deficient control for RpN-Neo).

In vitro transcription and transfection

Synthesis and transfection of the replicon RNA were performed as described previously. Briefly, the replicon RNA was synthesized from the linearized replicon plasmid using the RiboMax Large Scale RNA Production System (Promega, Madison, WI, USA). Transcription was terminated by the addition of 1 U of DNase and the transcribed RNA was purified by ISOGEN (Wako) according to the manufacturer's protocol. The replicon RNA was transfected into Huh7 cells by electroporation. Cells suspended at a density of 5×10^6 cells in 500 μ L were mixed with 10 μ g of replicon RNA and subjected to an electric pulse of 1050 μ F and 270 V in an electroporation cuvette with a 4-mm gap width, using the EasyJect system (EpiBio, Middlesex, UK).

Luciferase assays

After transfection of the replicon RNAs expressing the luciferase reporter protein, the cells were harvested at 4 and 96 h, and the luciferase activities of the cell lysates were measured using a luminometer (TD-20/20; Turner Designs, Sunnyvale, CA, USA) with the Bright-Glo kit (Promega).

Colony formation assay

After transfection of the replicon RNAs expressing neomycin phosphotransferase, cells were cultured in the presence of 200 μ g/mL G418. Three weeks after the transfection, G418-resistant cell colonies were stained with neutral red (Sigma-Aldrich Corp., St Louis, MO, USA), and colony-forming units (CFU) were determined.

Analyses of clinical data of IFN-treated patients

In order to associate the results of HCV replication *in vitro* with the clinical response to IFN, we used our previously reported database of 334 patients who had received IFN monotherapy between 1994 and 1998 [34].

RESULTS

HCV replication in vitro is closely associated with the total number of amino acid substitutions in the ISDR

In the previous study using an HCV-N-derived replicon, four amino acid substitutions plus four amino acid insertions into the ISDR enhanced replication dramatically, suggesting that the ISDR has an important role in determining replication [32]. Therefore, in order to determine how ISDR sequences modulate HCV replication *in vitro* according to the number of mutations in other HCV isolates, we first made replicons with different numbers of mutations in the ISDR: RpJ4-Neo ISDR(0), RpJ4-Neo ISDR(1), RpJ4-Neo ISDR(3) and RpJ4-Neo ISDR(6) using a HC-J4-derived replicon with a *Neo* reporter gene (Fig. 2a). Consistent with the original reports [34], clinical analysis of 334 patients treated with IFN revealed that ISDR sequences with few mutations (zero, one, or three mutations) were associated with a low IFN response because the CR rate was low (8%, 13% and 0%, respectively), while those with six mutations were associated with a high IFN response (CR rate: 100%). As demonstrated in Fig. 2b, while RpJ4-Neo ISDR(0), RpJ4-Neo ISDR(1), and RpJ4-Neo ISDR(3) did not form any G418-resistant colonies, RpJ4-Neo ISDR(6) formed numerous G418-resistant colonies (>200). The data demonstrated that replication of the HC-J4-derived replicon is associated with the ISDR sequence, and might be enhanced by an increase in the number of ISDR mutations, irrespective of the source of the HCV isolate.

Next, we investigated how ISDR sequences with different mutational patterns affect replication *in vitro*. Several distinct ISDR sequences with multiple mutations, mirroring those observed in patients, were introduced into the HCV-N-derived replicon, RpN-Fluc (six substitutions, four substitutions plus four insertions, seven substitutions plus one insertion, and total ISDR-deletion; Fig. 3a), and the replication capacities were measured as luciferase activities. Some patients received

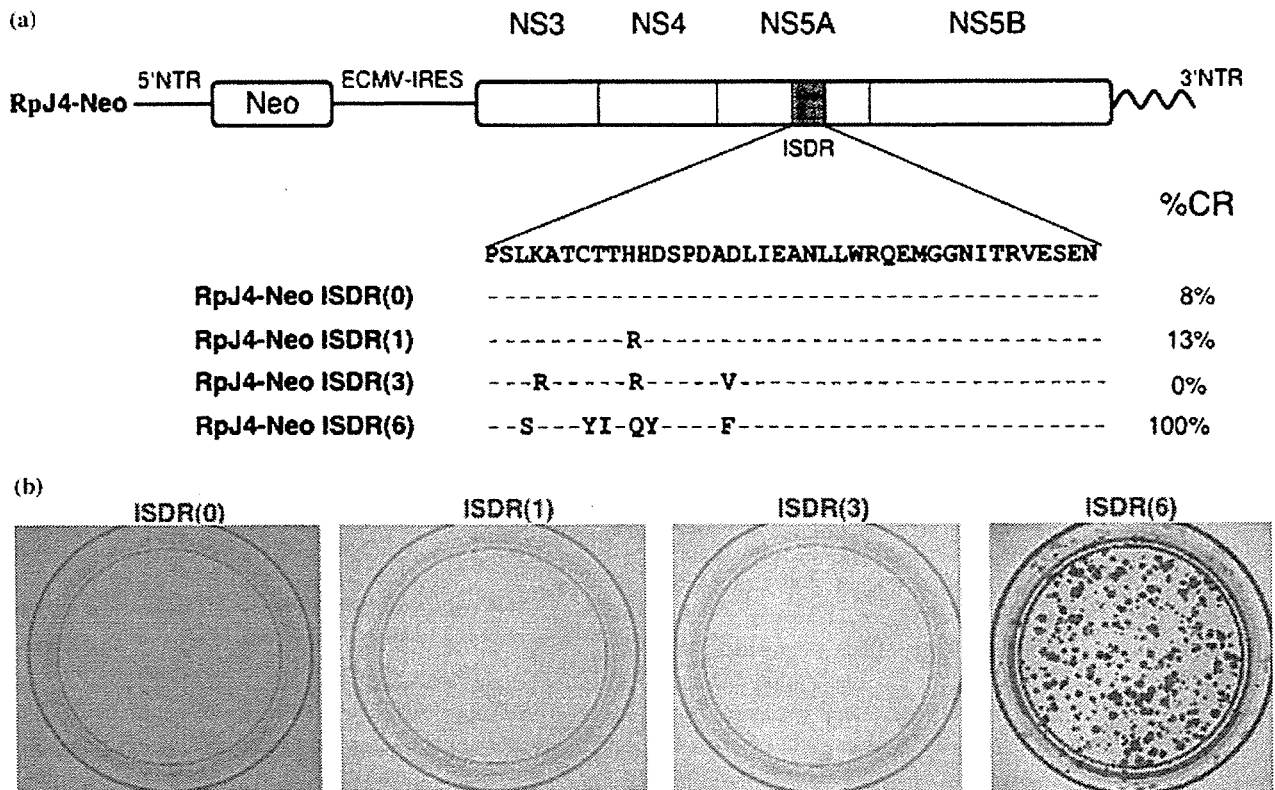


Fig. 2 HCV replication *in vitro* is regulated by the total number of amino acid substitutions in the product of the ISDR. (a) Alignment of ISDR sequences in HC-J4 replicons with different numbers of mutations in the ISDR. These ISDR sequences were obtained from patients with various IFN responses. As indicated to the right, the CR rate for IFN monotherapy was low in patients with few mutations (8% for 0, 13% for 1, 0% for 3). In contrast, the CR rate was 100% in patients with six mutations, according to analysis of 337 patients receiving IFN monotherapy. (b) In the colony formation assay, replicons with few mutations (0–3) in the ISDR could not form any colonies. In contrast, a replicon with six codon changes formed numerous colonies (>200), suggesting the replication capacity is enhanced according to the number of mutations in the ISDR.

IFN therapy, and their response rates are shown in Fig. 3a. In order to optimize the assay, we introduced an additional mutation (S2201del), one of the cell culture-adaptive mutations, into the NS5A serine cluster region of these replicons to enhance baseline replication. It is known that serine cluster mutations and ISDR mutations enhance the replication of replicons synergistically [32,33]. As demonstrated in Fig. 3b, intracellular replication was greatly enhanced by the introduction of multiple mutations into the ISDR, even though the mutational patterns were all different. In contrast, deletion of the entire ISDR completely abolished replication capacity. The data indicate that multiple mutations in the region enhance replication, irrespective of different ISDR sequences. At the same time, however, enhanced replication competency was not completely proportional to the number of amino acid mutations. Specifically, RpN-Fluc ISDR(6) was more replication-competent than RpN-Fluc ISDR(4s + 4i) or RpN-Fluc ISDR(7s + 1i), also suggesting that the mutational effect enhancing replication might be different according to the positions of the mutations.

HCV replication in vitro is influenced by site-specific substitutions in the ISDR

We have reported previously that clinical outcomes of IFN therapy were not only determined by the total number of ISDR mutations, but also by the sites of those mutations. Among them, codons 2209 ($P = 0.02$), 2216 ($P = 0.01$), and 2227 ($P = 0.02$) were significantly associated with a higher response than was found in the absence of these mutations (Fisher's exact probability test), while codons 2218 and 2224 were associated with low IFN efficacy [34]. These findings led us to speculate that specific amino acid substitutions in the domain of NS5A specified by the ISDR may be associated with the functions of that protein and consequently with the efficiency of replication of the viral genome.

Thus, we subsequently investigated the replication capacity of replicon constructs possessing a single codon change at various sites in the ISDR. Six individual amino acid substitutions found at high frequency in the clinical study were

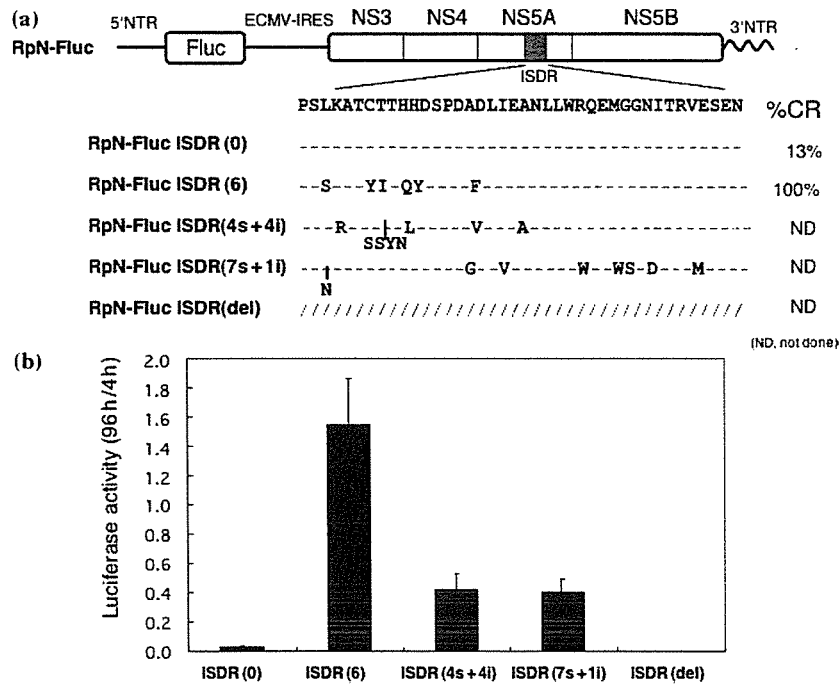


Fig. 3 Various patterns of ISDR sequences with multiple mutations all result in enhancement of HCV replication *in vitro*. (a) Alignment of ISDR sequences in HCV-N replicons with diverse ISDR sequences with multiple mutations observed in patients. In order to demonstrate the effect of deletion of the ISDR, an HCV-N replicon with complete deletion of the ISDR was engineered. (b) Replication capacity of three replicons with multiple ISDR mutations: all were greatly enhanced. In contrast, the replication capacity of replicons with deletion of the entire ISDR was almost completely abrogated. Values correspond to the ratio of the luciferase activity measured 96 and 4 h after transfection. The 4-h value was used to correct for different transfection efficiencies because at this time only luciferase translated from the input RNA was measurable.

introduced into the ISDR of RpN-Fluc (Fig. 4a) [34]. As shown in Fig. 4b, although the replication capacity of most of the replicons was quite low even after the introduction of ISDR mutations, the replication capacity of RpN-Fluc-P2209L was strongly enhanced to almost 20-fold more than that of RpN-Fluc-ISDR(0) (RpN-Fluc-ISDR(0): 387 ± 60 , RpN-Fluc-ISDR(1)-P2209L: 6111 ± 500 , RpN-Fluc-ISDR(1)-T2216A: 263 ± 20 , RpN-Fluc-ISDR(1)-I2227V: 160 ± 50 , RpN-Fluc ISDR(1)-H2218R: 703 ± 270 , RpN-Fluc-ISDR(1)-H2218C: 241 ± 80 , RpN-Fluc-ISDR(1)-A2224V: 580 ± 90).

Finally, using the ISDR-6aa mutant replicon [RpN-Fluc-ISDR(6)] with high replication capacity as the starting material, we determined the specific sites that critically reduced replication by systematically reversing each mutant sequence (Fig. 5a). As demonstrated in Fig. 5b, each back mutation lowered replication capacity to a different extent. Among them, the Q2218H mutation greatly weakened replication capacity (RpN-Fluc-ISDR(0): 101 ± 40 , RpN-Fluc-ISDR(6): 11050 ± 690 , RpN-Fluc-ISDR(5)-S2211L: 5123 ± 460 , RpN-Fluc-ISDR(5)-Y2215C: 3157 ± 480 , RpN-Fluc ISDR(5)-I2216T: 5501 ± 1200 , RpN-Fluc-ISDR(5)-Q2218H: 404 ± 80 , RpN-Fluc-ISDR(5)-Y2219H: 2094 ± 250 , RpN-Fluc-ISDR(5)-F2224A: 2795 ± 550).

DISCUSSION

In this study, we demonstrated that the ISDR sequences regulate the replication capacity of HCV replicons, depending on IFN response-related structures. Furthermore, a mapping study revealed that the influence of each ISDR mutation on replication was site-specific, and the critical sites modulating replication *in vitro* coincided with those strongly associated with the IFN response *in vivo*.

As demonstrated in Figs 2 and 3, ISDR sequences regulated replication of HCV replicons, depending on the number of mutations in the region. Even though few mutations (0 to 3 codon changes) in the ISDR did not enhance replication, multiple mutations (resulting in six substitutions, seven substitutions plus one insertion, and four substitutions plus four insertions) all resulted in replication enhancement, excepting artificially engineered total ISDR deletion that abrogated replication capacity. These results were consistent between two replicon clones, HCV-N and HC-J4, indicating that a relationship between the number of ISDR mutations and virus replication *in vitro* may be found widely, beyond specific HCV isolates. Meanwhile, the finding that complete deletion of the ISDR abrogated replication capacity may indicate that maintenance of the conformation of the NS5A

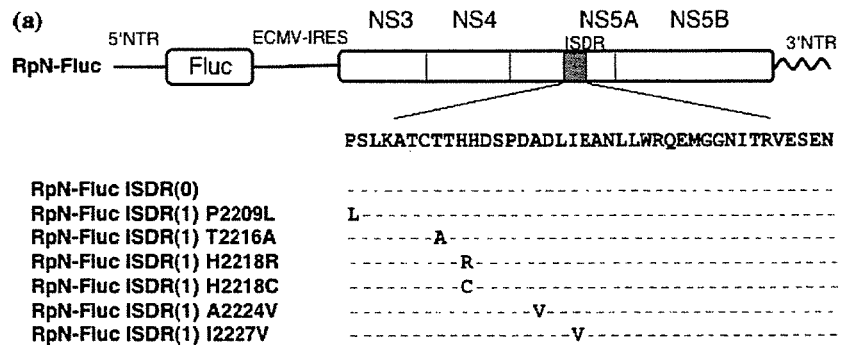


Fig. 4 Determination of mutational points in the ISDR that critically upregulates HCV replication *in vitro*. Alignment of ISDR sequences in the HCV-N replicon with various single amino acid substitutions. These individual mutations were selected for this study because of their frequent appearance in clinical infections. Transient replication capacity of replicons with various single codon changes in the ISDR was analysed by luciferase assay. Although a parental replicon possessing no amino acid mutations in the ISDR had low luciferase activity, the replication capacity increased 20-fold upon introduction of P2209L. In contrast, no other mutation significantly altered replication.

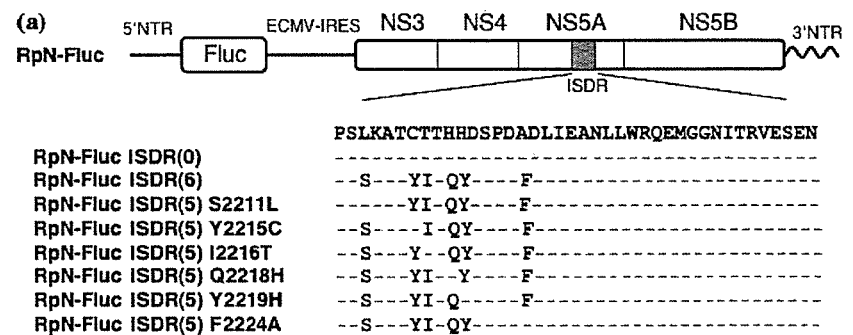
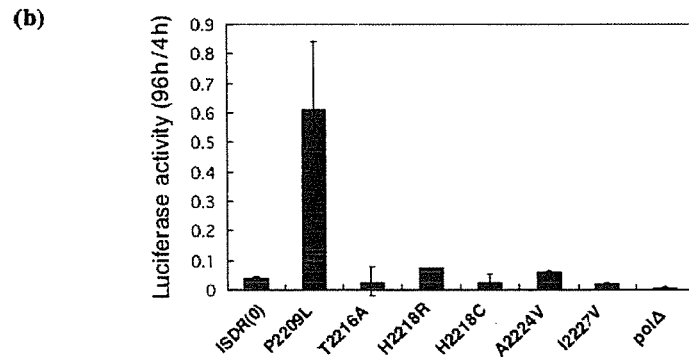
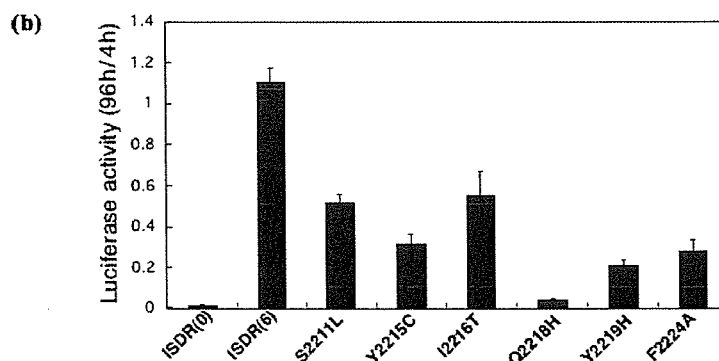


Fig. 5 Determination of mutational points in the ISDR that critically downregulate HCV replication *in vitro*. (a) Alignment of ISDR sequences in the HCV-N replicon with five amino acid substitutions in ISDR. In order to determine the position that critically downregulates replication of a highly replication-competent replicon with six codon changes in the ISDR, we systematically introduced back mutations. (b) Transient replication capacities of replicons with five codon changes in the ISDR were analysed by luciferase assay. Each back mutation lowered replication capacity to a different degree and, in particular, the Q2218H substitution reduced replication capacity greatly.



protein, with inclusion of the ISDR, is required for the replication of the HCV genome. Nevertheless, the need for ISDR for HCV replication should be confirmed in further studies, because a previous study reported that a partial deletion in NS5A, including the ISDR, rather supported replication [26].

This paradox, however, indicates that NS5A conformation has a key role in HCV replication.

At the same time, the effect of mutations in the ISDR on replication was site-specific. The introduction of single codon changes into the wild-type ISDR revealed that substitution of

codon 2209 greatly enhanced replication, almost 20-fold, indicating this site had a great influence on the regulation of replication (Fig. 4). On the other hand, in the experiments using the highly replication-competent replicon with six codon changes in the ISDR as starting material, the influence of reversion of each change on replication also was site-specific, and reversion of the change at codon 2218 decreased replication capacity most effectively. Importantly, codon 2209 was revealed in the clinical analysis to be one of the most important sites determining the IFN response, and codon 2218 was the site most frequently mutated among all codons in the ISDR [10,34]. Collectively, it is considered that the replication of HCV replicons reflects the ISDR sequences related to IFN response and virus replication. From these results, the HCV replicon system reflecting clinical findings could be a powerful tool to analyse the actual NS5A-ISDR function in HCV replication. For further confirmation of the relationship between HCV replication *in vitro* and that *in vivo*, we are now investigating how various NS5A-ISDR-mutant replicons respond to IFN.

Even though the HCV replicon reflects the ISDR sequences related to IFN response and virus replication, why does the influence of ISDR mutations on virus replication *in vitro* and *in vivo* seem to be contrary? In order to answer the question, the mechanism(s) by which adaptive mutations enhance replication must be clarified. Whether adaptive mutations scattered throughout the viral genome all have the same function is as yet unknown, but the functional role of the NS5A-serine cluster region recently has been investigated intensively, and mutations in the region were demonstrated to modify the phosphorylated state of NS5A proteins [26,29–31,37]. NS5A is a phosphoprotein, and has two phosphorylated isoforms: the basal phosphorylated form (p56) and the hyperphosphorylated form (p58). The NS5A protein is part of the HCV replication complex, and p56 must bind directly to a SNARE-like protein, hVAP-A, expressed in the ER membrane, in order to form the HCV replication complex [29,30,38]. On the other hand, p58 dissociates the NS5A protein from hVAP-A, preventing the HCV replication complex from forming on the ER membrane, and has been implicated in playing a certain role in virus particle assembly or excretion of virus from the cells. Thus, adaptive mutations have been proposed to prevent disassociation of the replication complex, freezing the viral life cycle at the RNA replication stage and inhibiting virion production and viral spread [39]. Although it is not clear whether the ISDR has the same function as the serine cluster region, it is possible that the ISDR has some influence on this function, because it is located adjacent to the serine cluster region and ISDR mutations enhance HCV replication synergistically with serine cluster mutations. If this is the mechanism, the inverse relationship of the *in vitro* and *in vivo* effects can be explained, because the HCV-RNA titre might reflect virion production and their secretion into the serum, while replicon

replication reflects intracellular viral replication. However, further studies are needed to test this hypothesis.

On the other hand, there is a big difference in the environment of cultured cells and the human liver. The human liver contains many immune cells, such as cytotoxic T lymphocytes, natural killer cells and dendritic cells, and a variety of cytokines, including endogenous IFN-alpha/beta produced by these cells [40]. Consequently, immunological signal pathways such as the JAK-STAT pathway and downstream interferon-inducible genes are thought to be always active to some extent in the human liver [11], in contrast to cultured cells that are not affected by immune cells or cytokines. In the innate immune system, there are two major pathways: the primary anti-viral pathway not requiring type I IFN, and the second anti-viral pathway requiring IFN for its activation [41]. It is considered that the JAK-STAT pathway is involved in the second pathway, while IRFs are involved in the primary pathway. Because of the differences in these environments, it has been suggested that the primary pathway should have a dominant role as an innate immunity in cultured cells, in contrast to the human liver where the second pathway might have an important role. We have shown recently that expression of IRF-1 was greatly suppressed in replicon-harboring cells, or even in replicon-'cured' cells, from which replicons had been eliminated by exogenous IFN treatment, compared with naïve Huh-7 cells [42]. When IRF-1 was induced by plasmid expression, replicon replication was greatly attenuated, indicating that downregulation of the IRF-1 pathway was necessary and was a key pathway regulating replicon replication. On the other hand, we also have shown in the previous study that the need for NS5A-adaptive mutations for replication decreases when IRF-1-suppressed cured cells are used [33], indicating that NS5A-adaptive mutations and IRF-1 suppression can effectively complement one another to permit replication. Thus, the IRF-1 pathway is also considered as a candidate target of NS5A adaptive mutations, including the serine cluster region and ISDR.

In conclusion, we have demonstrated that the numbers of mutations in the ISDR regulate the replication of replicons, suggesting that ISDR sequences associated with IFN sensitivity influence the replication of replicons *in vitro*. Moreover, specific sites in the ISDR critically regulate replication, showing that the effects of mutations in the ISDR vary according to the site. Although the numbers of analysed ISDR sequences were still small, our results indicate that the replicon system might be used as a tool to clarify the molecular mechanism of NS5A-ISDR to modulate HCV replication.

CONFLICT OF INTEREST

We do not have a commercial or other association that might pose a conflict of interest.

ACKNOWLEDGEMENTS

A part of this study was supported by a Grant-in-Aid (08457164) by the Ministry of Education, Science, Culture and Sport of Japan, and partly supported by grants from Japan Society for the Promotion of Science (15590629 and 16590580).

REFERENCES

- 1 Hoofnagle JH. Course and outcome of hepatitis C. *Hepatology* 2002; 36(5 Suppl 1): S21–S29.
- 2 Fried MW, Shiffman ML, Reddy KR *et al*. Peginterferon alfa-2a plus ribavirin for chronic hepatitis C virus infection. *N Engl J Med* 2002; 347(13): 975–982.
- 3 Manns MP, McHutchison JG, Gordon SC *et al*. Peginterferon alfa-2b plus ribavirin compared with interferon alfa-2b plus ribavirin for initial treatment of chronic hepatitis C: a randomised trial. *Lancet* 2001; 358(9286): 958–965.
- 4 Watanabe H, Nagayama K, Enomoto N *et al*. Sequence elements correlating with circulating viral load in genotype 1b hepatitis C virus infection. *Virology* 2003; 311(2): 376–383.
- 5 Enomoto N, Sakuma I, Asahina Y *et al*. Comparison of full-length sequences of interferon-sensitive and resistant hepatitis C virus 1b. Sensitivity to interferon is conferred by amino acid substitutions in the NS5A region. *J Clin Invest* 1995; 96(1): 224–230.
- 6 Enomoto N, Sakuma I, Asahina Y *et al*. Mutations in the nonstructural protein 5A gene and response to interferon in patients with chronic hepatitis C virus 1b infection. *N Engl J Med* 1996; 334(2): 77–81.
- 7 Kurosaki M, Enomoto N, Murakami T *et al*. Analysis of genotypes and amino acid residues 2209 to 2248 of the NS5A region of hepatitis C virus in relation to the response to interferon-beta therapy. *Hepatology* 1997; 25(3): 750–753.
- 8 Murakami T, Enomoto N, Kurosaki M *et al*. Mutations in nonstructural protein 5A gene and response to interferon in hepatitis C virus genotype 2 infection: Analysis of genotypes and amino acid residues 2209 to 2248 of the NS5A region of hepatitis C virus in relation to the response to interferon-beta therapy. *Hepatology* 1999; 30(4): 1045–1053.
- 9 Gerotto M, Dal Pero F, Pontisso P, Noventa F, Gatta A, Alberti A. Two PKR inhibitor HCV proteins correlate with early but not sustained response to interferon. *Gastroenterology* 2000; 119(6): 1649–1655.
- 10 Witherell GW, Beineke P. Statistical analysis of combined substitutions in nonstructural 5A region of hepatitis C virus and interferon response. *J Med Virol* 2001; 63(1): 8–16.
- 11 Bigger CB, Brasky KM, Lanford RE. DNA microarray analysis of chimpanzee liver during acute resolving hepatitis C virus infection. *J Virol* 2001; 75(15): 7059–7066.
- 12 Majumder M, Ghosh AK, Steele R *et al*. Hepatitis C virus NS5A protein impairs TNF-mediated hepatic apoptosis, but not by an anti-FAS antibody, in transgenic mice. *Virology* 2002; 294(1): 94–105.
- 13 Tan SL, Nakao H, He Y *et al*. NS5A, a nonstructural protein of hepatitis C virus, binds growth factor receptor-bound protein 2 adaptor protein in a Src homology 3 domain/ligand-dependent manner and perturbs mitogenic signaling. *Proc Natl Acad Sci U S A* 1999; 96(10): 5533–5538.
- 14 Arima N, Kao CY, Licht T, Padmanabhan R, Sasaguri Y. Modulation of cell growth by the hepatitis C virus non-structural protein NS5A. *J Biol Chem* 2001; 276(16): 12675–12684.
- 15 Ghosh AK, Majumder M, Steele R *et al*. Hepatitis C virus NS5A protein modulates transcription through a novel cellular transcription factor SRCAP. *J Biol Chem* 2000; 275(10): 7184–7188.
- 16 Zech B, Kurtenbach A, Krieger N *et al*. Identification and characterization of amphiphysin II as a novel cellular interaction partner of the hepatitis C virus NS5A protein. *J Gen Virol* 2003; 84(Pt 3): 555–560.
- 17 Ghosh AK, Majumder M, Steele R, Meyer K, Ray R, Ray RB. Hepatitis C virus NS5A protein protects against TNF-alpha mediated apoptotic cell death. *Virus Res* 2000; 67(2): 173–178.
- 18 Lan KH, Sheu ML, Hwang SJ *et al*. HCV NS5A interacts with p53 and inhibits p53-mediated apoptosis. *Oncogene* 2002; 21(31): 4801–4811.
- 19 Polyak SJ, Khabar KS, Paschal DM *et al*. Hepatitis C virus nonstructural 5A protein induces interleukin-8, leading to partial inhibition of the interferon-induced antiviral response. *J Virol* 2001; 75(13): 6095–6106.
- 20 Chung KM, Lee J, Kim JE *et al*. Nonstructural protein 5A of hepatitis C virus inhibits the function of karyopherin beta3. *J Virol* 2000; 74(11): 5233–5241.
- 21 Gale M Jr, Blakely CM, Kwieciszewski B *et al*. Control of PKR protein kinase by hepatitis C virus nonstructural 5A protein: molecular mechanisms of kinase regulation. *Mol Cell Biol* 1998; 18(9): 5208–5218.
- 22 Gale MJ Jr, Korth MJ, Katze MG. Repression of the PKR protein kinase by the hepatitis C virus NS5A protein: a potential mechanism of interferon resistance. *Clin Diagn Virol* 1998; 10(2–3): 157–162.
- 23 Ezelle HJ, Balachandran S, Sicheri F, Polyak SJ, Barber GN. Analyzing the mechanisms of interferon-induced apoptosis using CrmA and hepatitis C virus NS5A. *Virology* 2001; 281(1): 124–137.
- 24 Podevin P, Sabile A, Gajardo R *et al*. Expression of hepatitis C virus NS5A natural mutants in a hepatocytic cell line inhibits the antiviral effect of interferon in a PKR-independent manner. *Hepatology* 2001; 33(6): 1503–1511.
- 25 Lohmann V, Korner F, Koch J, Herian U, Theilmann L, Bartenschlager R. Replication of subgenomic hepatitis C virus RNAs in a hepatoma cell line. *Science* 1999; 285(5424): 110–113.
- 26 Blight KJ, Kolykhalov AA, Rice CM. Efficient initiation of HCV RNA replication in cell culture. *Science* 2000; 290(5498): 1972–1974.
- 27 Bukh J, Pietschmann T, Lohmann V *et al*. Mutations that permit efficient replication of hepatitis C virus RNA in Huh-7 cells prevent productive replication in chimpanzees. *Proc Natl Acad Sci U S A* 2002; 99(22): 14416–14421.
- 28 Bartenschlager R, Lohmann V. Novel cell culture systems for the hepatitis C virus. *Antiviral Res* 2001; 52(1): 1–17.

- 29 Evans MJ, Rice CM, Goff SP. Phosphorylation of hepatitis C virus nonstructural protein 5A modulates its protein interactions and viral RNA replication. *Proc Natl Acad Sci USA* 2004; 101(35): 13038–13043.
- 30 Gao L, Aizaki H, He JW, Lai MM. Interactions between viral nonstructural proteins and host protein hVAP-33 mediate the formation of hepatitis C virus RNA replication complex on lipid raft. *J Virol* 2004; 78(7): 3480–3488.
- 31 Tanji Y, Kaneko T, Satoh S, Shimotohno K. Phosphorylation of hepatitis C virus-encoded nonstructural protein NS5A. *J Virol* 1995; 69(7): 3980–3986.
- 32 Ikeda M, Yi M, Li K, Lemon SM. Selectable subgenomic and genome-length dicistronic RNAs derived from an infectious molecular clone of the HCV-N strain of hepatitis C virus replicate efficiently in cultured Huh7 cells. *J Virol* 2002; 76(6): 2997–3006.
- 33 Maekawa S, Enomoto N, Sakamoto N *et al*. Introduction of NS5A mutations enables subgenomic HCV replicon derived from chimpanzee-infectious HC-J4 isolate to replicate efficiently in Huh-7 cells. *J Viral Hepat* 2004; 11(5): 394–403.
- 34 Watanabe H, Enomoto N, Nagayama K *et al*. Number and position of mutations in the interferon (IFN) sensitivity-determining region of the gene for nonstructural protein 5A correlate with IFN efficacy in hepatitis C virus genotype 1b infection. *J Infect Dis* 2001; 183(8): 1195–1203.
- 35 Guo JT, Bichko VV, Seeger C. Effect of alpha interferon on the hepatitis C virus replicon. *J Virol* 2001; 75(18): 8516–8523.
- 36 Yanagi M, St Claire M, Shapiro M, Emerson SU, Purcell RH, Bukh J. Transcripts of a chimeric cDNA clone of hepatitis C virus genotype 1b are infectious in vivo. *Virology* 1998; 244(1): 161–172.
- 37 Neddermann P, Quintavalle M, Di Pietro C *et al*. Reduction of hepatitis C virus NS5A hyperphosphorylation by selective inhibition of cellular kinases activates viral RNA replication in cell culture. *J Virol* 2004; 78(23): 13306–13314.
- 38 Tu H, Gao L, Shi ST *et al*. Hepatitis C virus RNA polymerase and NS5A complex with a SNARE-like protein. *Virology* 1999; 263(1): 30–41.
- 39 Pietschmann T, Koutsoudakis G, Kallis S *et al*. Chimeric Hepatitis C Virus Infections in Cell Culture. Heidelberg, Germany: 11th International Symposium on Hepatitis C Virus and Related Viruses, 5–10 October, 2004.
- 40 Rosen HR. Hepatitis C pathogenesis: mechanisms of viral clearance and liver injury. *Liver Transpl* 2003; 9(11): S35–S43.
- 41 Doyle S, Vaidya S, O'Connell R *et al*. IRF3 mediates a TLR3/TLR4-specific antiviral gene program. *Immunity* 2002; 17(3): 251–263.
- 42 Kanazawa N, Kurosaki M, Sakamoto N *et al*. Regulation of hepatitis C virus replication by interferon regulatory factor 1. *J Virol* 2004; 78(18): 9713–9720.

Divergent activities of interferon-alpha subtypes against intracellular hepatitis C virus replication

Tomoyuki Koyama^a, Naoya Sakamoto^{a,*}, Yoko Tanabe^a, Mina Nakagawa^a,
Yasuhiro Itsui^a, Yoshie Takeda^a, Sei Kakinuma^a,
Yuko Sekine^a, Shinya Maekawa^b, Yoshiaki Yanai^c,
Masashi Kurimoto^c, Mamoru Watanabe^a

^a Department of Gastroenterology and Hepatology, Tokyo Medical and Dental University, 1-5-45 Yushima, Bunkyo-ku, Tokyo, Japan

^b First Department of Internal Medicine, Yamanashi University, 1110 Shimokato, Tanaho, Nakakoma, Yamanashi, Japan

^c Fujisaki Institute, Hayashihara Biochemical Laboratories, Inc., 675-1 Fujisaki, Okayama-shi, Okayama, Japan

Received 20 August 2005; received in revised form 26 October 2005; accepted 27 October 2005

Available online 20 December 2005

Abstract

Backgrounds: Interferon (IFN)-alpha is represented by several structurally related subtypes that show different antiviral and anti-tumor effects. Here, we analyzed differential effects of IFN-alpha subtypes on intracellular hepatitis C virus (HCV) replication using HCV subgenomic replicon system as a model.

Methods: Huh7 and HeLa cells supporting expression of HCV replicon were treated with various concentrations of five recombinant human IFN-alpha subtypes 1, 2, 5, 8, and 10, and with IFN-alpha con1. The effects of IFNs on various cell-signaling pathways were assayed by using ISRE-, GAS-, AP1-, NF-kappa B-, CRE-, and SRE-luciferase reporter plasmids.

Results: Each IFN-alpha subtype suppressed HCV replication in a dose-dependent manner. Among them, IFN-alpha8 was the most effective, while IFN-alpha1 was the least effective with 50% inhibitory concentrations of 0.123 IU/ml versus 0.375 IU/ml, respectively. These differential effects against HCV replication did not correlate with levels of the IFN-responsive ISRE or GAS reporter activities, nor they did activate the other reporters, AP1, NF-kappa B, CRE and SRE.

Conclusion: There were divergent effects of IFN-alpha subtypes against HCV replication that may be through JAK-STAT-independent pathways. Exploring further mechanisms of action may elucidate IFN-mediated cellular antiviral mechanisms.

© 2005 Elsevier Ireland Ltd. All rights reserved.

Keywords: Interferon subtype; Consensus interferon; Hepatitis C virus replicon; ISRE; GAS; Drug synergy

1. Introduction

Hepatitis C virus (HCV) is a world-wide health care problem causing a spectrum of liver disease ranging from

asymptomatic carrier state to liver cirrhosis and hepatocellular carcinomas [1]. Currently available anti-HCV treatments are based on administration of a major antiviral cytokine, type I interferons (IFN-alpha or -beta). Among them, therapies with recombinant interferon-alpha subtype 2a or 2b and their chemically modified derivatives, PEG-IFNs, are the de facto standard in the current clinical therapeutics. Their effectiveness, however, remains around 50% of patients treated [2].

IFN plays a central role in eliminating viruses not only as therapeutic applications but also as natural cellular antiviral defense mechanisms [3,4]. Also in HCV, a DNA microarray analysis of chimpanzee liver experimentally inoculated with

Abbreviations: AP1, activator protein 1; CRE, cAMP response element; GAS, interferon-gamma activation sequence; HCV, hepatitis C virus; IFN, interferon; ISRE, interferon stimulation response element; JAK, janus kinase; SRE, serum response element; STAT, signal transducers and activators of transcription

* Corresponding author. Tel.: +81 3 5803 5877; fax: +81 3 5803 0268.

E-mail address: nsakamoto.gast@tmd.ac.jp (N. Sakamoto).