

厚生労働科学研究費補助金（医療技術評価総合研究事業）
総合研究報告書

電子カルテの相互運用に向けた HL7 メッセージの開発および
管理・流通手法に関する研究

資料 15 HL7 バージョン 3 セット処方メッセージ例

```

<?xml version="1.0" encoding="UTF-8"?>
<OrderSetHeader classCode="SBADM" moodCode="DEF" xmlns="urn:hl7-org:v3">
  <!-- Prescription Template Active (PORX_MT204010JP01) -->
  <id root="0.430.1.12345.4.2" extension="40513001" displayable="true" assigningAuthorityName="Kobe University Hospital"/>
  <text representation="TXT" mediaType="text/plain" integrityCheckAlgorithm="SHA-1">Rp1:
    1: ダーゼン錠(5mg) 3錠 1日3回 毎食後 3日分 粉碎指示
    2: パンスポリン錠(100mg) 6錠 1日3回 毎食後 3日分
  :
    1: アレピアチン10倍散 100mg 1日2回 朝夕食後 14日分 (隔日投与) 混合指示
    2: フェノバルビタール10倍散 100mg 1日2回 朝夕食後 14日分 (隔日投与) 混合指示
  :
    1: ジフラル軟膏(10g) 2本 1日4回 左手塗布 (警告:同効薬)
  :
    1: プレドニン錠(5mg) 1日2回 朝2錠・昼1錠 毎食後 4日分 医師の指示通り 分割指示 経管チューブ指示
  :
    1: ボルタレン錠(25ml) 1錠 10回分 疼痛時 1日2回まで (警告:相互作用)
  </text>
  <statusCode code="active" codeSystem="2.16.840.1.113883.5.14" codeSystemName="ActStatus" codeSystemVersion="V161"/>
  <component3 typeCode="COMP">
    <sequenceNumber value="1"/>
    <medicationAdministrationRequest classCode="SBADM" moodCode="DEF">
      <text representation="TXT" mediaType="text/plain" integrityCheckAlgorithm="SHA-1">Rp1</text>
      <component1 typeCode="COMP">
        <sequenceNumber value="1"/>
        <substanceAdministrationRequest classCode="SBADM" moodCode="DEF">
          <code code="ISE" codeSystem="0.430.1.12345.10.9.1" codeSystemName="ClinicalDrugUsageType"
codeSystemVersion="1.0" displayName="定時"/>
          <text representation="TXT" mediaType="text/plain" integrityCheckAlgorithm="SHA-1">朝、昼、夕 毎食後</text>
          <routeCode code="PO" codeSystem="0.430.1.12345.10.9.2" codeSystemName="RouteOfAdministration"
codeSystemVersion="1.0" displayName="内服">
            <originalText representation="TXT" mediaType="text/plain" integrityCheckAlgorithm="SHA-1">内服</originalText>
          </routeCode>
          <doseCheckQuantity>
            <numerator value="3" unit="{錠}" xsi:type="PQ" xmlns:xsi="http://www.w3.org/2001/XMLSchema-instance"/>
            <denominator value="1" unit="d" xsi:type="PQ" xmlns:xsi="http://www.w3.org/2001/XMLSchema-instance"/>
          </doseCheckQuantity>
          <therapeuticAgent typeCode="TPA">
            <medication classCode="MANU">
              <manufacturedMedicationKind classCode="MMAT" determinerCode="KIND">
                <code code="1086652" codeSystem="0.430.1.12345.10.9.2" codeSystemName="ClinicalDrugCode"
codeSystemVersion="1.0" displayName="ダーゼン錠(5mg)"/>
                <name>ダーゼン錠(5mg)</name>
              </manufacturedMedicationKind>
            </medication>
          </therapeuticAgent>
        </component1>
      </substanceAdministrationRequest>
    </component1>
  </component3>
  <sequenceNumber value="1"/>
  <substanceAdministrationRequest classCode="SBADM" moodCode="DEF">
    <code code="ISE" codeSystem="0.430.1.12345.10.9.1" codeSystemName="ClinicalDrugUsageType"
codeSystemVersion="1.0" displayName="定時"/>
    <routeCode code="PO" codeSystem="0.430.1.12345.10.9.2" codeSystemName="RouteOfAdministration"
codeSystemVersion="1.0" displayName="内服">
      <originalText representation="TXT" mediaType="text/plain" integrityCheckAlgorithm="SHA-1">内服</originalText>
    </routeCode>
  </substanceAdministrationRequest>

```

```

    </routeCode>
    <doseQuantity value="1" unit="{錠}" xsi:type="PQ" xmlns:xsi="http://www.w3.org/2001/XMLSchema-instance"/>
  </substanceAdministrationRequest>
</component1>
<component1 typeCode="COMP">
  <sequenceNumber value="2"/>
  <substanceAdministrationRequest classCode="SBADM" moodCode="DEF">
    <code code="ISE" codeSystem="0.430.1.12345.10.9.1" codeSystemName="ClinicalDrugUsageType"
codeSystemVersion="1.0" displayName="定時"/>
    <routeCode code="PO" codeSystem="0.430.1.12345.10.9.2" codeSystemName="RouteOfAdministration"
codeSystemVersion="1.0" displayName="内服">
      <originalText representation="TXT" mediaType="text/plain" integrityCheckAlgorithm="SHA-1">内服</originalText>
    </routeCode>
    <doseQuantity value="1" unit="{錠}" xsi:type="PQ" xmlns:xsi="http://www.w3.org/2001/XMLSchema-instance"/>
  </substanceAdministrationRequest>
</component1>
<component1 typeCode="COMP">
  <sequenceNumber value="3"/>
  <substanceAdministrationRequest classCode="SBADM" moodCode="DEF">
    <code code="ISE" codeSystem="0.430.1.12345.10.9.1" codeSystemName="ClinicalDrugUsageType"
codeSystemVersion="1.0" displayName="定時"/>
    <routeCode code="PO" codeSystem="0.430.1.12345.10.9.2" codeSystemName="RouteOfAdministration"
codeSystemVersion="1.0" displayName="内服">
      <originalText representation="TXT" mediaType="text/plain" integrityCheckAlgorithm="SHA-1">内服</originalText>
    </routeCode>
    <doseQuantity value="1" unit="{錠}" xsi:type="PQ" xmlns:xsi="http://www.w3.org/2001/XMLSchema-instance"/>
  </substanceAdministrationRequest>
</component1>
<component2 typeCode="COMP">
  <medicationAdministrationInstructions classCode="SBADM" moodCode="DEF">
    <code code="UIS_1" codeSystem="0.430.1.12345.10.9.27" codeSystemName="ClinicalDrugUsageCode"
codeSystemVersion="1.0" displayName="1日3回 朝・昼・夕 毎食後"/>
  </medicationAdministrationInstructions>
</component2>
<component2 typeCode="COMP">
  <medicationAdministrationInstructions classCode="SBADM" moodCode="DEF">
    <code code="M" codeSystem="0.430.1.12345.10.9.4" codeSystemName="AdministrationStartTimingCode"
codeSystemVersion="1.0" displayName="朝から"/>
  </medicationAdministrationInstructions>
</component2>
<component2 typeCode="COMP">
  <medicationAdministrationInstructions classCode="SBADM" moodCode="DEF">
    <code code="Q1D" codeSystem="0.430.1.12345.10.9.5" codeSystemName="AdministrationRepeatPattern"
codeSystemVersion="1.0" displayName="毎日"/>
  </medicationAdministrationInstructions>
</component2>
<reason1 typeCode="RSON">
  <justifyingMedicationSupplyRequest classCode="SPLY" moodCode="DEF">
    <repeatNumber operator="I"/>
    <quantity value="9" unit="{錠}"/>
    <component1 typeCode="COMP">
      <medicationSupplyInstructions classCode="SPLY" moodCode="DEF">
        <code code="C" codeSystem="0.430.1.12345.9.31" codeSystemName="ClinicalDrugCrushIndicator"
codeSystemVersion="1.0" displayName="粉碎指示"/>

```

```

    </medicationSupplyInstructions>
  </component1>
  <component1 typeCode="COMP">
    <medicationSupplyInstructions classCode="SPLY" moodCode="DEF">
      <code code="NB" codeSystem="0.430.1.12345.9.32" codeSystemName="ClinicalDrugBreakIndicator"
codeSystemVersion="1.0" displayName="分割指示なし"/>
    </medicationSupplyInstructions>
  </component1>
  <component1 typeCode="COMP">
    <medicationSupplyInstructions classCode="SPLY" moodCode="DEF">
      <code code="NB" codeSystem="0.430.1.12345.9.33" codeSystemName="ClinicalDrugMixIndicator"
codeSystemVersion="1.0" displayName="混合指示なし"/>
    </medicationSupplyInstructions>
  </component1>
  <component1 typeCode="COMP">
    <medicationSupplyInstructions classCode="SPLY" moodCode="DEF">
      <code code="NFT" codeSystem="0.430.1.12345.9.34" codeSystemName="SupplyWithFeedingTubeIndicator"
codeSystemVersion="1.0" displayName="経管チューブ指示なし"/>
    </medicationSupplyInstructions>
  </component1>
</justifyingMedicationSupplyRequest>
</reason1>
</substanceAdministrationRequest>
</component1>
<component1 typeCode="COMP">
  <sequenceNumber value="2"/>
  <substanceAdministrationRequest classCode="SBADM" moodCode="DEF">
    <code code="ISE" codeSystem="0.430.1.12345.10.9.1" codeSystemName="ClinicalDrugUsageType"
codeSystemVersion="1.0" displayName="定時"/>
    <text representation="TXT" mediaType="text/plain" integrityCheckAlgorithm="SHA-1">朝、昼、夕 毎食後</text>
    <routeCode code="PO" codeSystem="0.430.1.12345.10.9.2" codeSystemName="RouteOfAdministration"
codeSystemVersion="1.0" displayName="内服">
      <originalText representation="TXT" mediaType="text/plain" integrityCheckAlgorithm="SHA-1">内服</originalText>
    </routeCode>
    <doseCheckQuantity>
      <numerator value="6" unit="{錠}" xsi:type="PQ" xmlns:xsi="http://www.w3.org/2001/XMLSchema-instance"/>
      <denominator value="1" unit="d" xsi:type="PQ" xmlns:xsi="http://www.w3.org/2001/XMLSchema-instance"/>
    </doseCheckQuantity>
    <therapeuticAgent typeCode="TPA">
      <medication classCode="MANU">
        <manufacturedMedicationKind classCode="MMAT" determinerCode="KIND">
          <code code="1109269" codeSystem="0.430.1.12345.10.9.2" codeSystemName="ClinicalDrugCode"
codeSystemVersion="1.0" displayName="パンスポリン錠(100mg)"/>
          <name>パンスポリン錠(100mg)</name>
        </manufacturedMedicationKind>
      </medication>
    </therapeuticAgent>
  </component1 typeCode="COMP">
    <sequenceNumber value="1"/>
    <substanceAdministrationRequest classCode="SBADM" moodCode="DEF">
      <code code="ISE" codeSystem="0.430.1.12345.10.9.1" codeSystemName="ClinicalDrugUsageType"
codeSystemVersion="1.0" displayName="定時"/>
      <routeCode code="PO" codeSystem="0.430.1.12345.10.9.2" codeSystemName="RouteOfAdministration"
codeSystemVersion="1.0" displayName="内服">

```

```

        <originalText representation="TXT" mediaType="text/plain" integrityCheckAlgorithm="SHA-1">内服</originalText>
    </routeCode>
    <doseQuantity value="2" unit="{錠}" xsi:type="PQ" xmlns:xsi="http://www.w3.org/2001/XMLSchema-instance"/>
</substanceAdministrationRequest>
</component1>
<component1 typeCode="COMP">
    <sequenceNumber value="2"/>
    <substanceAdministrationRequest classCode="SBADM" moodCode="DEF">
        <code code="ISE" codeSystem="0.430.1.12345.10.9.1" codeSystemName="ClinicalDrugUsageType"
codeSystemVersion="1.0" displayName="定時"/>
        <routeCode code="PO" codeSystem="0.430.1.12345.10.9.2" codeSystemName="RouteOfAdministration"
codeSystemVersion="1.0" displayName="内服">
            <originalText representation="TXT" mediaType="text/plain" integrityCheckAlgorithm="SHA-1">内服</originalText>
        </routeCode>
        <doseQuantity value="2" unit="{錠}" xsi:type="PQ" xmlns:xsi="http://www.w3.org/2001/XMLSchema-instance"/>
    </substanceAdministrationRequest>
</component1>
<component1 typeCode="COMP">
    <sequenceNumber value="3"/>
    <substanceAdministrationRequest classCode="SBADM" moodCode="DEF">
        <code code="ISE" codeSystem="0.430.1.12345.10.9.1" codeSystemName="ClinicalDrugUsageType"
codeSystemVersion="1.0" displayName="定時"/>
        <routeCode code="PO" codeSystem="0.430.1.12345.10.9.2" codeSystemName="RouteOfAdministration"
codeSystemVersion="1.0" displayName="内服">
            <originalText representation="TXT" mediaType="text/plain" integrityCheckAlgorithm="SHA-1">内服</originalText>
        </routeCode>
        <doseQuantity value="2" unit="{錠}" xsi:type="PQ" xmlns:xsi="http://www.w3.org/2001/XMLSchema-instance"/>
    </substanceAdministrationRequest>
</component1>
<component2 typeCode="COMP">
    <medicationAdministrationInstructions classCode="SBADM" moodCode="DEF">
        <code code="UIS_1" codeSystem="0.430.1.12345.10.9.27" codeSystemName="ClinicalDrugUsageCode"
codeSystemVersion="1.0" displayName="1日3回 朝・昼・夕 毎食後"/>
    </medicationAdministrationInstructions>
</component2>
<component2 typeCode="COMP">
    <medicationAdministrationInstructions classCode="SBADM" moodCode="DEF">
        <code code="M" codeSystem="0.430.1.12345.10.9.4" codeSystemName="AdministrationStartTimingCode"
codeSystemVersion="1.0" displayName="朝から"/>
    </medicationAdministrationInstructions>
</component2>
<component2 typeCode="COMP">
    <medicationAdministrationInstructions classCode="SBADM" moodCode="DEF">
        <code code="Q1D" codeSystem="0.430.1.12345.10.9.5" codeSystemName="AdministrationRepeatPattern"
codeSystemVersion="1.0" displayName="毎日"/>
    </medicationAdministrationInstructions>
</component2>
<reason1 typeCode="RSON">
    <justifyingMedicationSupplyRequest classCode="SPLY" moodCode="DEF">
        <repeatNumber operator="1"/>
        <quantity value="18" unit="{錠}"/>
        <component1 typeCode="COMP">
            <medicationSupplyInstructions classCode="SPLY" moodCode="DEF">
                <code code="NC" codeSystem="0.430.1.12345.9.31" codeSystemName="ClinicalDrugCrushIndicator"

```

```

codeSystemVersion="1.0" displayName="粉碎指示なし"/>
  </medicationSupplyInstructions>
</component1>
<component1 typeCode="COMP">
  <medicationSupplyInstructions classCode="SPLY" moodCode="DEF">
    <code code="NB" codeSystem="0.430.1.12345.9.32" codeSystemName="ClinicalDrugBreakIndicator"
codeSystemVersion="1.0" displayName="分割指示なし"/>
    </medicationSupplyInstructions>
  </component1>
  <component1 typeCode="COMP">
    <medicationSupplyInstructions classCode="SPLY" moodCode="DEF">
      <code code="NB" codeSystem="0.430.1.12345.9.33" codeSystemName="ClinicalDrugMixIndicator"
codeSystemVersion="1.0" displayName="混合指示なし"/>
    </medicationSupplyInstructions>
  </component1>
  <component1 typeCode="COMP">
    <medicationSupplyInstructions classCode="SPLY" moodCode="DEF">
      <code code="NFT" codeSystem="0.430.1.12345.9.34" codeSystemName="SupplyWithFeedingTubeIndicator"
codeSystemVersion="1.0" displayName="経管チューブ指示なし"/>
    </medicationSupplyInstructions>
  </component1>
</justifyingMedicationSupplyRequest>
</reason1>
</substanceAdministrationRequest>
</component1>
</medicationAdministrationRequest>
</component3>
<component3 typeCode="COMP">
  <sequenceNumber value="2"/>
  <medicationAdministrationRequest classCode="SBADM" moodCode="DEF">
    <text representation="TXT" mediaType="text/plain" integrityCheckAlgorithm="SHA-1">Rp2</text>
    <component1 typeCode="COMP">
      <sequenceNumber value="1"/>
      <substanceAdministrationRequest classCode="SBADM" moodCode="DEF">
        <code code="ISE" codeSystem="0.430.1.12345.10.9.1" codeSystemName="ClinicalDrugUsageType"
codeSystemVersion="1.0" displayName="定時"/>
        <text representation="TXT" mediaType="text/plain" integrityCheckAlgorithm="SHA-1">朝、夕 毎食後</text>
        <routeCode code="PO" codeSystem="0.430.1.12345.10.9.2" codeSystemName="RouteOfAdministration"
codeSystemVersion="1.0" displayName="内服">
          <originalText representation="TXT" mediaType="text/plain" integrityCheckAlgorithm="SHA-1">内服</originalText>
        </routeCode>
        <doseCheckQuantity>
          <numerator value="100" unit="MG" xsi:type="PQ" xmlns:xsi="http://www.w3.org/2001/XMLSchema-instance"/>
          <denominator value="1" unit="d" xsi:type="PQ" xmlns:xsi="http://www.w3.org/2001/XMLSchema-instance"/>
        </doseCheckQuantity>
        <therapeuticAgent typeCode="TPA">
          <medication classCode="MANU">
            <manufacturedMedicationKind classCode="MMAT" determinerCode="KIND">
              <code code="1006070" codeSystem="0.430.1.12345.10.9.2" codeSystemName="ClinicalDrugCode"
codeSystemVersion="1.0" displayName="アレピアチン10倍散"/>
              <name>アレピアチン10倍散</name>
            </manufacturedMedicationKind>
          </medication>
        </therapeuticAgent>

```

```

<component1 typeCode="COMP">
  <sequenceNumber value="1"/>
  <substanceAdministrationRequest classCode="SBADM" moodCode="DEF">
    <code code="ISE" codeSystem="0.430.1.12345.10.9.1" codeSystemName="ClinicalDrugUsageType"
codeSystemVersion="1.0" displayName="定時"/>
    <routeCode code="PO" codeSystem="0.430.1.12345.10.9.2" codeSystemName="RouteOfAdministration"
codeSystemVersion="1.0" displayName="内服">
      <originalText representation="TXT" mediaType="text/plain" integrityCheckAlgorithm="SHA-1">内服</originalText>
    </routeCode>
    <doseQuantity value="50" unit="MG" xsi:type="PQ" xmlns:xsi="http://www.w3.org/2001/XMLSchema-instance"/>
  </substanceAdministrationRequest>
</component1>
<component1 typeCode="COMP">
  <sequenceNumber value="2"/>
  <substanceAdministrationRequest classCode="SBADM" moodCode="DEF">
    <code code="ISE" codeSystem="0.430.1.12345.10.9.1" codeSystemName="ClinicalDrugUsageType"
codeSystemVersion="1.0" displayName="定時"/>
    <routeCode code="PO" codeSystem="0.430.1.12345.10.9.2" codeSystemName="RouteOfAdministration"
codeSystemVersion="1.0" displayName="内服">
      <originalText representation="TXT" mediaType="text/plain" integrityCheckAlgorithm="SHA-1">内服</originalText>
    </routeCode>
    <doseQuantity value="50" unit="MG" xsi:type="PQ" xmlns:xsi="http://www.w3.org/2001/XMLSchema-instance"/>
  </substanceAdministrationRequest>
</component1>
<component2 typeCode="COMP">
  <medicationAdministrationInstructions classCode="SBADM" moodCode="DEF">
    <code code="UIS_2" codeSystem="0.430.1.12345.10.9.27" codeSystemName="ClinicalDrugUsageCode"
codeSystemVersion="1.0" displayName="1日2回 朝・夕 毎食後"/>
  </medicationAdministrationInstructions>
</component2>
<component2 typeCode="COMP">
  <medicationAdministrationInstructions classCode="SBADM" moodCode="DEF">
    <code code="M" codeSystem="0.430.1.12345.10.9.4" codeSystemName="AdministrationStartTimingCode"
codeSystemVersion="1.0" displayName="朝から"/>
  </medicationAdministrationInstructions>
</component2>
<component2 typeCode="COMP">
  <medicationAdministrationInstructions classCode="SBADM" moodCode="DEF">
    <code code="Q2D" codeSystem="0.430.1.12345.10.9.5" codeSystemName="AdministrationRepeatPattern"
codeSystemVersion="1.0" displayName="1日おき"/>
  </medicationAdministrationInstructions>
</component2>
<reason1 typeCode="RSON">
  <justifyingMedicationSupplyRequest classCode="SPLY" moodCode="DEF">
    <repeatNumber operator="I"/>
    <quantity value="1400" unit="MG"/>
    <component1 typeCode="COMP">
      <medicationSupplyInstructions classCode="SPLY" moodCode="DEF">
        <code code="NC" codeSystem="0.430.1.12345.9.31" codeSystemName="ClinicalDrugCrushIndicator"
codeSystemVersion="1.0" displayName="粉碎指示なし"/>
      </medicationSupplyInstructions>
    </component1>
    <component1 typeCode="COMP">
      <medicationSupplyInstructions classCode="SPLY" moodCode="DEF">

```

```

        <code code="NB" codeSystem="0.430.1.12345.9.32" codeSystemName="ClinicalDrugBreakIndicator"
codeSystemVersion="1.0" displayName="分割指示なし"/>
      </medicationSupplyInstructions>
    </component1>
    <component1 typeCode="COMP">
      <medicationSupplyInstructions classCode="SPLY" moodCode="DEF">
        <code code="B" codeSystem="0.430.1.12345.9.33" codeSystemName="ClinicalDrugMixIndicator"
codeSystemVersion="1.0" displayName="混合指示"/>
      </medicationSupplyInstructions>
    </component1>
    <component1 typeCode="COMP">
      <medicationSupplyInstructions classCode="SPLY" moodCode="DEF">
        <code code="NFT" codeSystem="0.430.1.12345.9.34" codeSystemName="SupplyWithFeedingTubeIndicator"
codeSystemVersion="1.0" displayName="経管チューブ指示なし"/>
      </medicationSupplyInstructions>
    </component1>
  </justifyingMedicationSupplyRequest>
</reason1>
</substanceAdministrationRequest>
</component1>
<component1 typeCode="COMP">
  <sequenceNumber value="2"/>
  <substanceAdministrationRequest classCode="SBADM" moodCode="DEF">
    <code code="ISE" codeSystem="0.430.1.12345.10.9.1" codeSystemName="ClinicalDrugUsageType"
codeSystemVersion="1.0" displayName="定時"/>
    <text representation="TXT" mediaType="text/plain" integrityCheckAlgorithm="SHA-1">朝、夕 毎食後</text>
    <routeCode code="PO" codeSystem="0.430.1.12345.10.9.2" codeSystemName="RouteOfAdministration"
codeSystemVersion="1.0" displayName="内服">
      <originalText representation="TXT" mediaType="text/plain" integrityCheckAlgorithm="SHA-1">内服</originalText>
    </routeCode>
    <doseCheckQuantity>
      <numerator value="100" unit="MG" xsi:type="PQ" xmlns:xsi="http://www.w3.org/2001/XMLSchema-instance"/>
      <denominator value="1" unit="d" xsi:type="PQ" xmlns:xsi="http://www.w3.org/2001/XMLSchema-instance"/>
    </doseCheckQuantity>
    <therapeuticAgent typeCode="TPA">
      <medication classCode="MANU">
        <manufacturedMedicationKind classCode="MMAT" determinerCode="KIND">
          <code code="1005653" codeSystem="0.430.1.12345.10.9.2" codeSystemName="ClinicalDrugCode"
codeSystemVersion="1.0" displayName="フェノバルビタール10倍散"/>
          <name>フェノバルビタール10倍散</name>
        </manufacturedMedicationKind>
      </medication>
    </therapeuticAgent>
  </component1 typeCode="COMP">
    <sequenceNumber value="1"/>
    <substanceAdministrationRequest classCode="SBADM" moodCode="DEF">
      <code code="ISE" codeSystem="0.430.1.12345.10.9.1" codeSystemName="ClinicalDrugUsageType"
codeSystemVersion="1.0" displayName="定時"/>
      <routeCode code="PO" codeSystem="0.430.1.12345.10.9.2" codeSystemName="RouteOfAdministration"
codeSystemVersion="1.0" displayName="内服">
        <originalText representation="TXT" mediaType="text/plain" integrityCheckAlgorithm="SHA-1">内服</originalText>
      </routeCode>
      <doseQuantity value="50" unit="MG" xsi:type="PQ" xmlns:xsi="http://www.w3.org/2001/XMLSchema-instance"/>
    </substanceAdministrationRequest>

```



```

</component1>
<component1 typeCode="COMP">
  <sequenceNumber value="2"/>
  <substanceAdministrationRequest classCode="SBADM" moodCode="DEF">
    <code code="ISE" codeSystem="0.430.1.12345.10.9.1" codeSystemName="ClinicalDrugUsageType"
codeSystemVersion="1.0" displayName="定時"/>
    <routeCode code="PO" codeSystem="0.430.1.12345.10.9.2" codeSystemName="RouteOfAdministration"
codeSystemVersion="1.0" displayName="内服">
      <originalText representation="TXT" mediaType="text/plain" integrityCheckAlgorithm="SHA-1">内服</originalText>
    </routeCode>
    <doseQuantity value="50" unit="MG" xsi:type="PQ" xmlns:xsi="http://www.w3.org/2001/XMLSchema-instance"/>
  </substanceAdministrationRequest>
</component1>
<component2 typeCode="COMP">
  <medicationAdministrationInstructions classCode="SBADM" moodCode="DEF">
    <code code="UIS_2" codeSystem="0.430.1.12345.10.9.27" codeSystemName="ClinicalDrugUsageCode"
codeSystemVersion="1.0" displayName="1日2回 朝・夕 毎食後"/>
  </medicationAdministrationInstructions>
</component2>
<component2 typeCode="COMP">
  <medicationAdministrationInstructions classCode="SBADM" moodCode="DEF">
    <code code="M" codeSystem="0.430.1.12345.10.9.4" codeSystemName="AdministrationStartTimingCode"
codeSystemVersion="1.0" displayName="朝から"/>
  </medicationAdministrationInstructions>
</component2>
<component2 typeCode="COMP">
  <medicationAdministrationInstructions classCode="SBADM" moodCode="DEF">
    <code code="Q2D" codeSystem="0.430.1.12345.10.9.5" codeSystemName="AdministrationRepeatPattern"
codeSystemVersion="1.0" displayName="1日おき"/>
  </medicationAdministrationInstructions>
</component2>
<reason1 typeCode="RSON">
  <justifyingMedicationSupplyRequest classCode="SPLY" moodCode="DEF">
    <repeatNumber operator="1"/>
    <quantity value="1400" unit="MG"/>
    <component1 typeCode="COMP">
      <medicationSupplyInstructions classCode="SPLY" moodCode="DEF">
        <code code="NC" codeSystem="0.430.1.12345.9.31" codeSystemName="ClinicalDrugCrushIndicator"
codeSystemVersion="1.0" displayName="粉碎指示なし"/>
      </medicationSupplyInstructions>
    </component1>
    <component1 typeCode="COMP">
      <medicationSupplyInstructions classCode="SPLY" moodCode="DEF">
        <code code="NB" codeSystem="0.430.1.12345.9.32" codeSystemName="ClinicalDrugBreakIndicator"
codeSystemVersion="1.0" displayName="分割指示なし"/>
      </medicationSupplyInstructions>
    </component1>
    <component1 typeCode="COMP">
      <medicationSupplyInstructions classCode="SPLY" moodCode="DEF">
        <code code="B" codeSystem="0.430.1.12345.9.33" codeSystemName="ClinicalDrugMixIndicator"
codeSystemVersion="1.0" displayName="混合指示"/>
      </medicationSupplyInstructions>
    </component1>
  </justifyingMedicationSupplyRequest>
</reason1>

```



```

</component1>
<component1 typeCode="COMP">
  <medicationSupplyInstructions classCode="SPLY" moodCode="DEF">
    <code code="NB" codeSystem="0.430.1.12345.9.32" codeSystemName="ClinicalDrugBreakIndicator"
codeSystemVersion="1.0" displayName="分割指示なし"/>
  </medicationSupplyInstructions>
</component1>
<component1 typeCode="COMP">
  <medicationSupplyInstructions classCode="SPLY" moodCode="DEF">
    <code code="NB" codeSystem="0.430.1.12345.9.33" codeSystemName="ClinicalDrugMixIndicator"
codeSystemVersion="1.0" displayName="混合指示なし"/>
  </medicationSupplyInstructions>
</component1>
<component1 typeCode="COMP">
  <medicationSupplyInstructions classCode="SPLY" moodCode="DEF">
    <code code="NFT" codeSystem="0.430.1.12345.9.34" codeSystemName="SupplyWithFeedingTubeIndicator"
codeSystemVersion="1.0" displayName="経管チューブ指示なし"/>
  </medicationSupplyInstructions>
</component1>
</justifyingMedicationSupplyRequest>
</reason1>
</substanceAdministrationRequest>
</component1>
</medicationAdministrationRequest>
</component3>
<component3 typeCode="COMP">
  <sequenceNumber value="4"/>
  <medicationAdministrationRequest classCode="SBADM" moodCode="DEF">
    <text representation="TXT" mediaType="text/plain" integrityCheckAlgorithm="SHA-1">Rp4</text>
    <component1 typeCode="COMP">
      <sequenceNumber value="1"/>
      <substanceAdministrationRequest classCode="SBADM" moodCode="DEF">
        <code code="ISU" codeSystem="0.430.1.12345.10.9.1" codeSystemName="ClinicalDrugUsageType"
codeSystemVersion="1.0" displayName="不均等"/>
        <text representation="TXT" mediaType="text/plain" integrityCheckAlgorithm="SHA-1">朝2錠、昼1錠 毎食後</text>
        <routeCode code="PO" codeSystem="0.430.1.12345.10.9.2" codeSystemName="RouteOfAdministration"
codeSystemVersion="1.0" displayName="内服">
          <originalText representation="TXT" mediaType="text/plain" integrityCheckAlgorithm="SHA-1">内服</originalText>
        </routeCode>
        <doseCheckQuantity>
          <numerator value="3" unit="[錠]" xsi:type="PQ" xmlns:xsi="http://www.w3.org/2001/XMLSchema-instance"/>
          <denominator value="1" unit="d" xsi:type="PQ" xmlns:xsi="http://www.w3.org/2001/XMLSchema-instance"/>
        </doseCheckQuantity>
        <therapeuticAgent typeCode="TPA">
          <medication classCode="MANU">
            <manufacturedMedicationKind classCode="MMAT" determinerCode="KIND">
              <code code="1052718" codeSystem="0.430.1.12345.10.9.2" codeSystemName="ClinicalDrugCode"
codeSystemVersion="1.0" displayName="プレドニン錠(5mg)/>
              <name>プレドニン錠(5mg)</name>
            </manufacturedMedicationKind>
          </medication>
        </therapeuticAgent>
      </component1 typeCode="COMP">
        <sequenceNumber value="1"/>

```

```

    <substanceAdministrationRequest classCode="SBADM" moodCode="DEF">
      <code code="ISU" codeSystem="0.430.1.12345.10.9.1" codeSystemName="ClinicalDrugUsageType"
codeSystemVersion="1.0" displayName="不均等"/>
      <routeCode code="PO" codeSystem="0.430.1.12345.10.9.2" codeSystemName="RouteOfAdministration"
codeSystemVersion="1.0" displayName="内服">
        <originalText representation="TXT" mediaType="text/plain" integrityCheckAlgorithm="SHA-1">内服</originalText>
      </routeCode>
      <doseQuantity value="2" unit="{錠}" xsi:type="PQ" xmlns:xsi="http://www.w3.org/2001/XMLSchema-instance"/>
    </substanceAdministrationRequest>
  </component1>
  <component1 typeCode="COMP">
    <sequenceNumber value="2"/>
    <substanceAdministrationRequest classCode="SBADM" moodCode="DEF">
      <code code="ISU" codeSystem="0.430.1.12345.10.9.1" codeSystemName="ClinicalDrugUsageType"
codeSystemVersion="1.0" displayName="不均等"/>
      <routeCode code="PO" codeSystem="0.430.1.12345.10.9.2" codeSystemName="RouteOfAdministration"
codeSystemVersion="1.0" displayName="内服">
        <originalText representation="TXT" mediaType="text/plain" integrityCheckAlgorithm="SHA-1">内服</originalText>
      </routeCode>
      <doseQuantity value="1" unit="{錠}" xsi:type="PQ" xmlns:xsi="http://www.w3.org/2001/XMLSchema-instance"/>
    </substanceAdministrationRequest>
  </component1>
  <component2 typeCode="COMP">
    <medicationAdministrationInstructions classCode="SBADM" moodCode="DEF">
      <code code="UIS_3" codeSystem="0.430.1.12345.10.9.27" codeSystemName="ClinicalDrugUsageCode"
codeSystemVersion="1.0" displayName="1日2回 朝・昼 毎食後"/>
    </medicationAdministrationInstructions>
  </component2>
  <component2 typeCode="COMP">
    <medicationAdministrationInstructions classCode="SBADM" moodCode="DEF">
      <code code="M" codeSystem="0.430.1.12345.10.9.4" codeSystemName="AdministrationStartTimingCode"
codeSystemVersion="1.0" displayName="朝から"/>
    </medicationAdministrationInstructions>
  </component2>
  <component2 typeCode="COMP">
    <medicationAdministrationInstructions classCode="SBADM" moodCode="DEF">
      <code code="Q1D" codeSystem="0.430.1.12345.10.9.5" codeSystemName="AdministrationRepeatPattern"
codeSystemVersion="1.0" displayName="毎日"/>
    </medicationAdministrationInstructions>
  </component2>
  <reason1 typeCode="RSON">
    <justifyingMedicationSupplyRequest classCode="SPLY" moodCode="DEF">
      <repeatNumber operator="1"/>
      <quantity value="12" unit="{錠}"/>
      <component1 typeCode="COMP">
        <medicationSupplyInstructions classCode="SPLY" moodCode="DEF">
          <code code="NC" codeSystem="0.430.1.12345.9.31" codeSystemName="ClinicalDrugCrushIndicator"
codeSystemVersion="1.0" displayName="粉碎指示なし"/>
        </medicationSupplyInstructions>
      </component1>
      <component1 typeCode="COMP">
        <medicationSupplyInstructions classCode="SPLY" moodCode="DEF">
          <code code="B" codeSystem="0.430.1.12345.9.32" codeSystemName="ClinicalDrugBreakIndicator"
codeSystemVersion="1.0" displayName="分割指示"/>

```

```

        </medicationSupplyInstructions>
    </component1>
    <component1 typeCode="COMP">
        <medicationSupplyInstructions classCode="SPLY" moodCode="DEF">
            <code code="NB" codeSystem="0.430.1.12345.9.33" codeSystemName="ClinicalDrugMixIndicator"
codeSystemVersion="1.0" displayName="混合指示なし"/>
        </medicationSupplyInstructions>
    </component1>
    <component1 typeCode="COMP">
        <medicationSupplyInstructions classCode="SPLY" moodCode="DEF">
            <code code="FT" codeSystem="0.430.1.12345.9.34" codeSystemName="SupplyWithFeedingTubeIndicator"
codeSystemVersion="1.0" displayName="経管チューブ指示"/>
        </medicationSupplyInstructions>
    </component1>
</justifyingMedicationSupplyRequest>
</reason1>
</substanceAdministrationRequest>
</component1>
</medicationAdministrationRequest>
</component3>
<component3 typeCode="COMP">
    <sequenceNumber value="5"/>
    <medicationAdministrationRequest classCode="SBADM" moodCode="DEF">
        <text representation="TXT" mediaType="text/plain" integrityCheckAlgorithm="SHA-1">Rp5</text>
        <component1 typeCode="COMP">
            <sequenceNumber value="1"/>
            <substanceAdministrationRequest classCode="SBADM" moodCode="DEF">
                <code code="IAN" codeSystem="0.430.1.12345.10.9.1" codeSystemName="ClinicalDrugUsageType"
codeSystemVersion="1.0" displayName="頓用"/>
                <text representation="TXT" mediaType="text/plain" integrityCheckAlgorithm="SHA-1">1回錠 疼痛時</text>
                <routeCode code="PO" codeSystem="0.430.1.12345.10.9.2" codeSystemName="RouteOfAdministration"
codeSystemVersion="1.0" displayName="内服">
                    <originalText representation="TXT" mediaType="text/plain" integrityCheckAlgorithm="SHA-1">内服</originalText>
                </routeCode>
                <doseQuantity value="1" unit="[錠]" xsi:type="PQ" xmlns:xsi="http://www.w3.org/2001/XMLSchema-instance"/>
                <therapeuticAgent typeCode="TPA">
                    <medication classCode="MANU">
                        <manufacturedMedicationKind classCode="MMAT" determinerCode="KIND">
                            <code code="1007954" codeSystem="0.430.1.12345.10.9.2" codeSystemName="ClinicalDrugCode"
codeSystemVersion="1.0" displayName="ボルタレン錠(25ml)"/>
                            <name>ボルタレン錠(25ml)</name>
                        </manufacturedMedicationKind>
                    </medication>
                </therapeuticAgent>
            </component2 typeCode="COMP">
                <medicationAdministrationInstructions classCode="SBADM" moodCode="DEF">
                    <text representation="TXT" mediaType="text/plain" integrityCheckAlgorithm="SHA-1">1日2回まで</text>
                </medicationAdministrationInstructions>
            </component2>
            <component2 typeCode="COMP">
                <medicationAdministrationInstructions classCode="SBADM" moodCode="DEF">
                    <code code="UIN_1" codeSystem="0.430.1.12345.10.9.27" codeSystemName="ClinicalDrugUsageCode"
codeSystemVersion="1.0" displayName="疼痛時"/>
                </medicationAdministrationInstructions>
            </component2>
        </substanceAdministrationRequest>
    </component1>
</medicationAdministrationRequest>
</component3>

```

```

</component2>
<component2 typeCode="COMP">
  <medicationAdministrationInstructions classCode="SBADM" moodCode="DEF">
    <code code="UIN_2" codeSystem="0.430.1.12345.10.9.27" codeSystemName="ClinicalDrugUsageCode"
codeSystemVersion="1.0" displayName="かゆい時"/>
  </medicationAdministrationInstructions>
</component2>
<reason1 typeCode="RSON">
  <justifyingMedicationSupplyRequest classCode="SPLY" moodCode="DEF">
    <repeatNumber operator="I"/>
    <quantity value="10" unit="[錠]"/>
    <component1 typeCode="COMP">
      <medicationSupplyInstructions classCode="SPLY" moodCode="DEF">
        <code code="NC" codeSystem="0.430.1.12345.9.31" codeSystemName="ClinicalDrugCrushIndicator"
codeSystemVersion="1.0" displayName="粉碎指示なし"/>
      </medicationSupplyInstructions>
    </component1>
    <component1 typeCode="COMP">
      <medicationSupplyInstructions classCode="SPLY" moodCode="DEF">
        <code code="NB" codeSystem="0.430.1.12345.9.32" codeSystemName="ClinicalDrugBreakIndicator"
codeSystemVersion="1.0" displayName="分割指示なし"/>
      </medicationSupplyInstructions>
    </component1>
    <component1 typeCode="COMP">
      <medicationSupplyInstructions classCode="SPLY" moodCode="DEF">
        <code code="NB" codeSystem="0.430.1.12345.9.33" codeSystemName="ClinicalDrugMixIndicator"
codeSystemVersion="1.0" displayName="混合指示なし"/>
      </medicationSupplyInstructions>
    </component1>
    <component1 typeCode="COMP">
      <medicationSupplyInstructions classCode="SPLY" moodCode="DEF">
        <code code="NFT" codeSystem="0.430.1.12345.9.34" codeSystemName="SupplyWithFeedingTubeIndicator"
codeSystemVersion="1.0" displayName="経管チューブ指示なし"/>
      </medicationSupplyInstructions>
    </component1>
  </justifyingMedicationSupplyRequest>
</reason1>
</substanceAdministrationRequest>
</component1>
</medicationAdministrationRequest>
</component3>
</OrderSetHeader>

```

厚生労働科学研究費補助金（医療技術評価総合研究事業）
総合研究報告書

電子カルテの相互運用に向けた HL7 メッセージの開発および
管理・流通手法に関する研究

資料 16 薬剤払い出し情報管理関連メッセージの設計

薬剤払い出し情報管理関連メッセージ

1. はじめに

本書は、神戸大学医学部附属病院の救急部門システムと電子カルテシステム間で使用される薬剤払い出し情報を管理するための一連のメッセージ群を定義する。

2. 業務フロー

本院の、救急部門における業務分析を行ない、電子カルテシステムと救急部門システム、セキル（薬剤自動払い出し機）、医事システム間で交換される情報の流れを、インタラクション図として整理した。図1に業務フローズを示す。

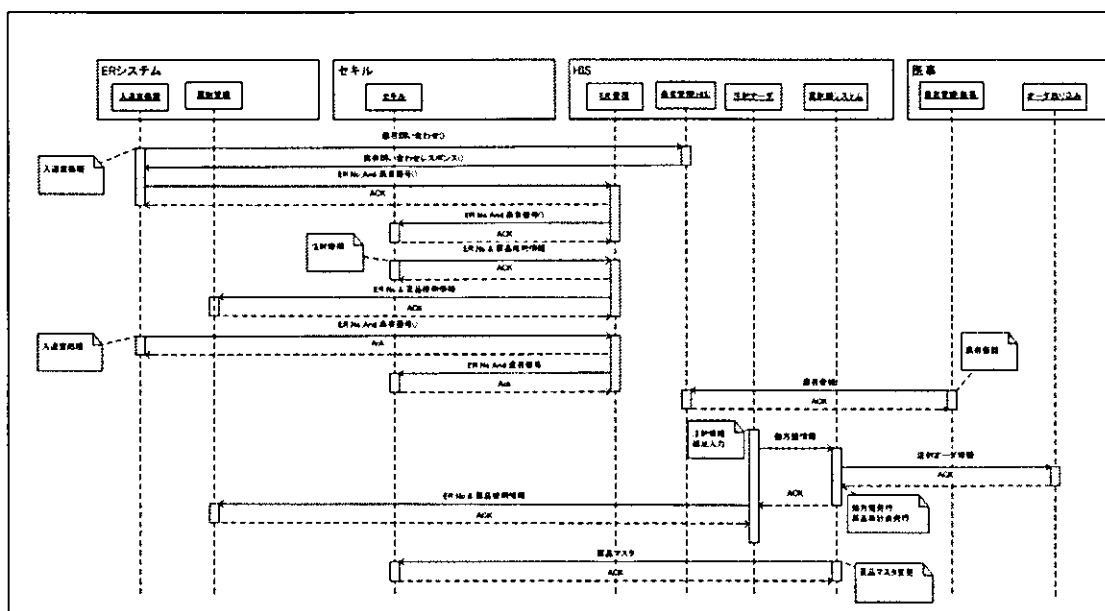


図1： 救急部門における薬剤払い出し業務関連の業務フロー

3. メッセージインタラクション

業務分析より、薬剤払い出し情報管理のためのメッセージインタラクションを定義した。インタラクションの定義は、現行のHL7バージョン3仕様で定義されている処方インタラクションを参考にしながら行なった。また、処方領域だけでなく、臨床検査領域や患者事務領域といった、他の領域のメッセージインタラクションの定義や命名規則に可能な限り従い、汎用的な定義となるようにした。結果として、患者の受付と入退室、薬剤払い出し、

処方オーダ情報の確定など、関係する 10 個のメッセージインタラクションを定義した。それらのインタラクションで使用するメッセージ型については、昨年度開発した処方オーダシステム向けに開発したメッセージ群を利用し、必要なものについては新規に定義した。

1. 患者検索インタラクション

1.1 Get Person Demographics Query (QUPA_IN101101) (患者検索 ER→HIS)

Sending Role	Person Registry Query Placer	QUPA_AR101101
Receiving Role	Person Registry Query Fulfiller	QUPA_AR101102
Trigger Event	Person Registry Get Demographics Query	QUPA_TE101101
Transmission Wrapper	Send Message Payload	MCCI_MT000100
Control Act Wrapper	Query - QBP Execute Specification	QUQI_MT020001
Message Type	Person Registry Get Demographics Query	QUPA_MT101101

1.2 Get Person Demographics Response (QUPA_IN101102)(患者検索結果) (HIS→ER)

Sending Role	Person Registry Query Fulfiller	QUPA_AR101102
Receiving Role	Person Registry Query Placer	QUPA_AR101101
Trigger Event	Person Registry Get Demographics Response	QUPA_TE101102
Transmission Wrapper	Send Message Payload	MCCI_MT000100
Control Act Wrapper	Query - General Complete Response	QUQI_MT120001
Message Type	Person Registry Get Demographics Query Response	QUPA_MT101102

2. 救急部入室/退室

2.1 Emergency Encounter Started (PRPA_IN403001) (ER 入室 ER 番号)

PRPA_IN403001 (ER→HIS)

PRPA_IN403011(HIS→セキル)

Sending Role	Emergency Encounter Event Normal Informer	PRPA_AR403003
Receiving Role	Emergency Encounter Event Normal Tracker	PRPA_AR403004
Trigger Event	Emergency Encounter Event Activate Notification	PRPA_TE403001
Transmission Wrapper	Send Message Payload	MCCI_MT000100
Control Act Wrapper	Control Act - Information	MCAI_MT700202
Message Type	Emergency Encounter Event Activate	PRPA_MT403001

2.2 Emergency Encounter Ended (PRPA_IN403003) (ER 退室)

PRPA_IN403003 (ER→HIS)

PRPA_IN403013 (HIS→セキル)

Sending Role	Emergency Encounter Event Normal Informer	PRPA_AR403003
Receiving Role	Emergency Encounter Event Normal Tracker	PRPA_AR403004
Trigger Event	Emergency Encounter Event Complete Notification	PRPA_TE403003
Transmission Wrapper	Send Message Payload	MCCI_MT000100
Control Act Wrapper	Control Act - Information	MCAI_MT700202
Message Type	Emergency Encounter Event Complete	PRPA_MT403003

3. 薬品使用情報

3.1 Community Supply Complete (PORX_IN122030) (注射使用) セキル→HIS PORX_IN122030

Sending Role	Community Pharmacy System	PORX_AR120000
Receiving Role	Community Physician System	PORX_AR110000
Trigger Event	Pharmacy Supply Event Complete, Notification	PORX_TE022030
Transmission Wrapper	Send Message Payload	MCCI_MT000100
Control Act Wrapper	Control Act · Action · PORX Domain	MCAI_MT708201
Message Type	Community combined event	PORX_MT134000

3.2 Community Supply Complete (PORX_IN122030) (注射使用) HIS→ER PORX_IN122031

Sending Role	Combined Event Informer	PORX_AR184030
Receiving Role	Combined Event Tracker	PORX_AR184040
Trigger Event	Pharmacy Supply Event Complete, Notification	PORX_TE022030
Transmission Wrapper	Send Message Payload	MCCI_MT000100
Control Act Wrapper	Control Act · Action · PORX Domain	MCAI_MT708201
Message Type	Community combined event	PORX_MT134000

4. 注射オーダ補足入力後

4.1 Community Combined Order revise, Notification (PORX_IN131150JP01) HIS→ER

Sending Role	Pharmacy Combined Order Global Informer	PORX_AR082040JP01
Receiving Role	Pharmacy Combined Order Global Tracker	PORX_AR082050JP01
Trigger Event	Pharmacy Combined Order Revise	PORX_TE031120JP01
Transmission Wrapper	Send Message Payload	MCCI_MT000100
Control Act Wrapper	Control Act · Action · PORX Domain	MCAI_MT708201
Message Type	Community Combined Request, Revise	PORX_MT132100JP01

5. 薬剤マスタ

5.1 New Medication Master File Added(PORX_IN203010JP01) 採用薬品登録

Sending Role	Medication Master File Comprehensive Informer	PORX_AR203001JP01
Receiving Role	Medication Master File Comprehensive Tracker	PORX_AR203002JP01
Trigger Event	New Medication Master File Added	PORX_TE203010JP01
Transmission Wrapper	Send Message Payload	MCCI_MT000100
Control Act Wrapper	Registry □ role target	MFMI_MT700701
Message Type	Medication Activate	PORX_MT203010JP01

これらのインタラクションの関連を、インタラクション図として図2に示す。

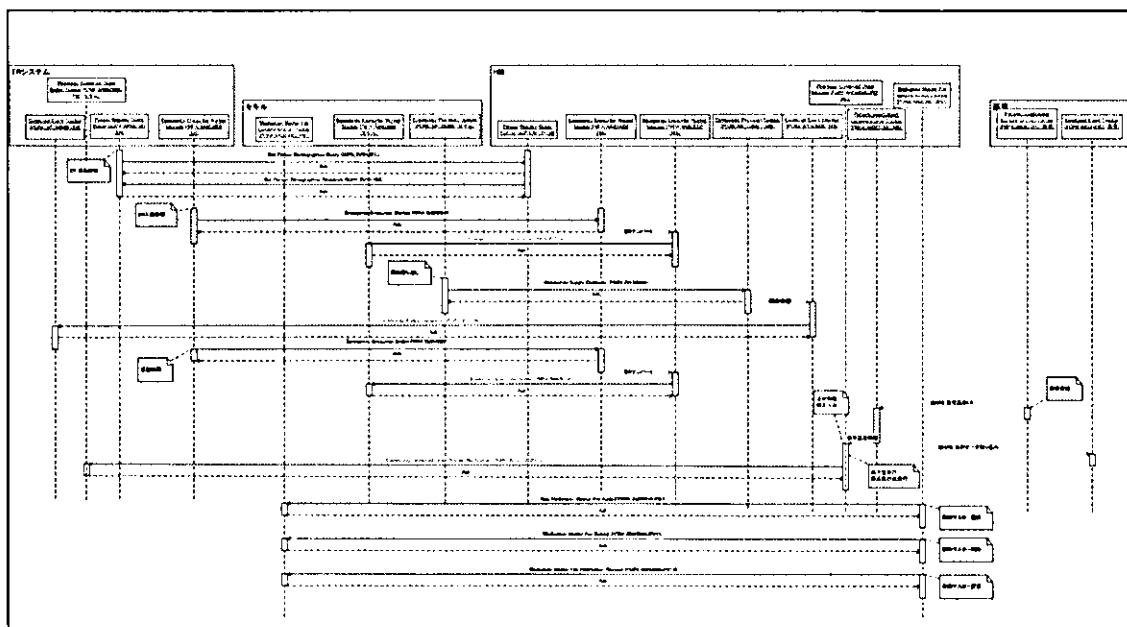


図2： 薬剤払い出し情報管理関連メッセージインタラクション